

PAPER ORGANIZER SET
300.5262.MAL

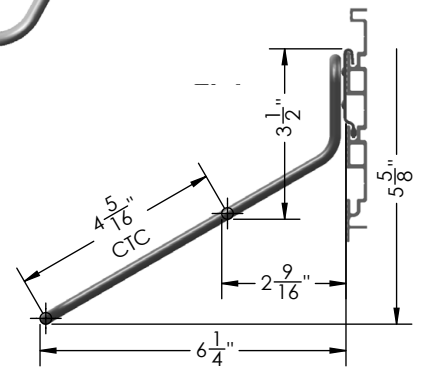
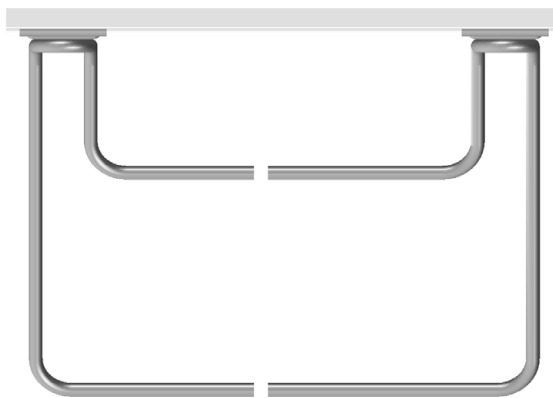
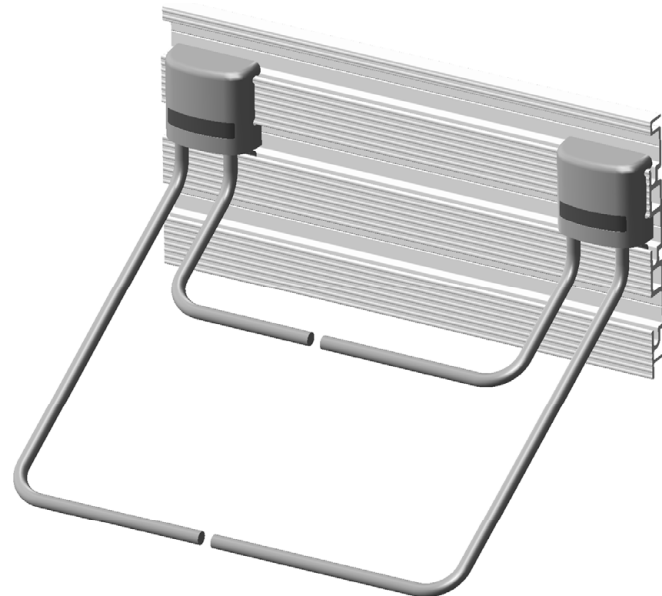
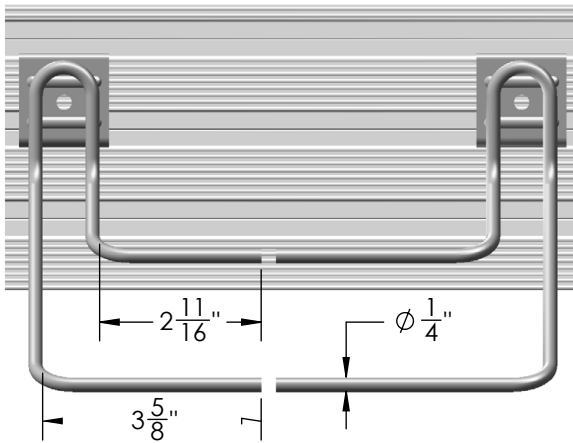
DESCRIPTION & SPECIFICATIONS

The two-piece Paper Organizer Set is an ideal holder for paper rolls in a variety of lengths. Perfect for shop towels, wrapping papers and craft ribbons.

SIZE & CAPACITY | Light Duty

AVAILABLE FINISHES | 

Matte Aluminum.



INSTRUCTIONS & SPECIFICATIONS

- STEP 1: Align the hooks above the track panel channels at desired height.
- STEP 2: Insert the roll onto one hook and slide the second hook into the roll.
- STEP 3: Press the cover cap onto the hooks to fix position.

- One Cover Cap 300.5230 required & must be ordered separately
- Hooks & accessories are only intended to be mounted to the track

FINISH	CODE (FIN)
MATTE ALUMINUM	MAL

SUGGESTED USES	
WRAPPING PAPER	RIBBONS
SHOP TOWELS	