

**WRENCH HOLDER**  
**300.5232.MAL**

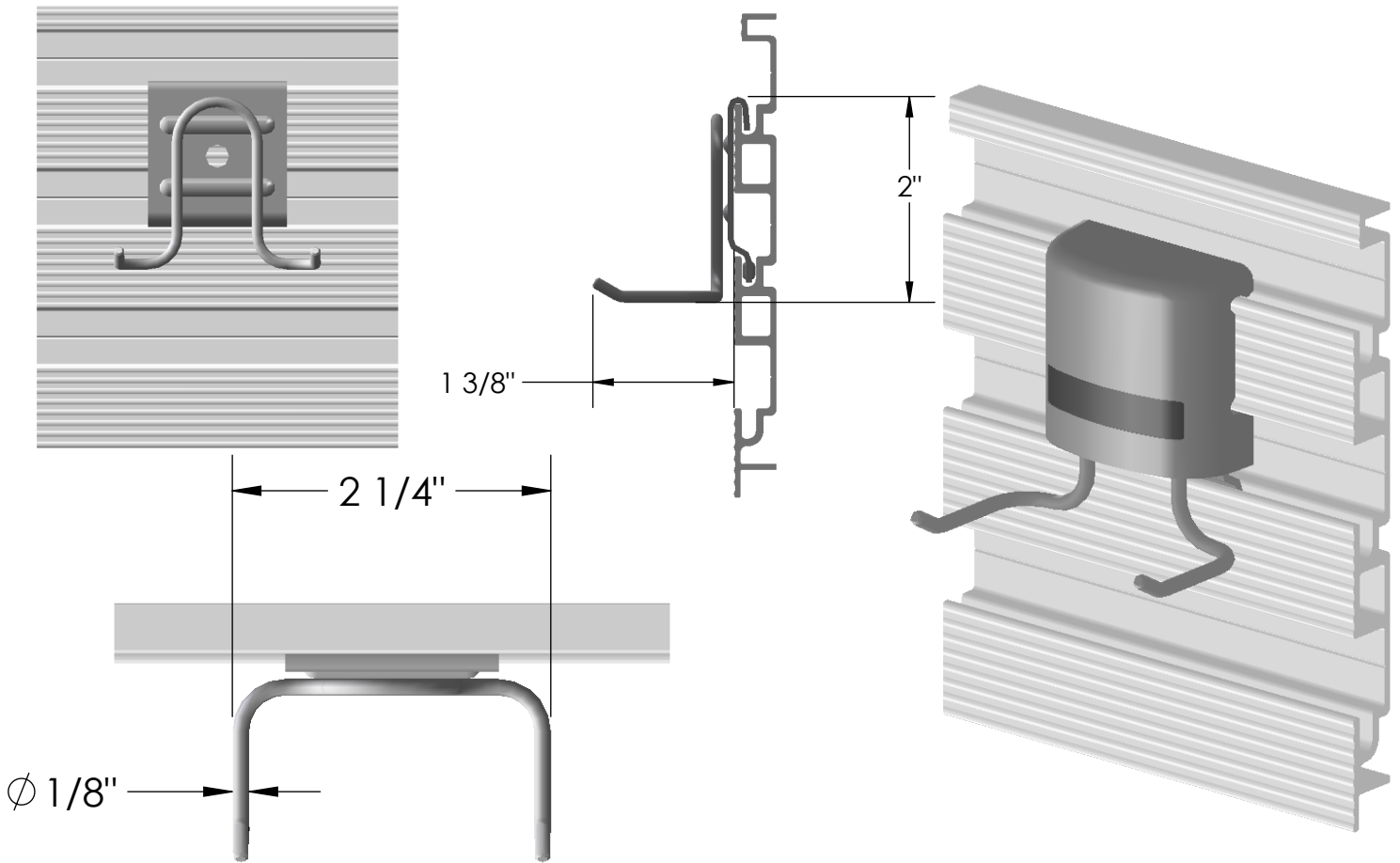
**DESCRIPTION & SPECIFICATIONS**

Stay organized by keeping wrenches, keys and cloths in their designated spot with the Wrench Holder.

SIZE & CAPACITY | Light Duty

AVAILABLE FINISHES | 

Matte Aluminum.



**INSTRUCTIONS & SPECIFICATIONS**

- STEP 1: Align the holder above the track panel channels.
- STEP 2: Position the holder horizontally by sliding it along the track.
- STEP 3: Press the cover cap onto the holder bracket to fix position.
- One Cover Cap 300.5230 required & must be ordered separately
- Hooks & accessories are only intended to be mounted to the track

| FINISH         | CODE (FIN) |
|----------------|------------|
| MATTE ALUMINUM | MAL        |

| SUGGESTED USES |             |
|----------------|-------------|
| WRENCHES       | CLOTHS      |
| KEYS           | SMALL ITEMS |