

PLIER HOLDER
300.5231.MAL

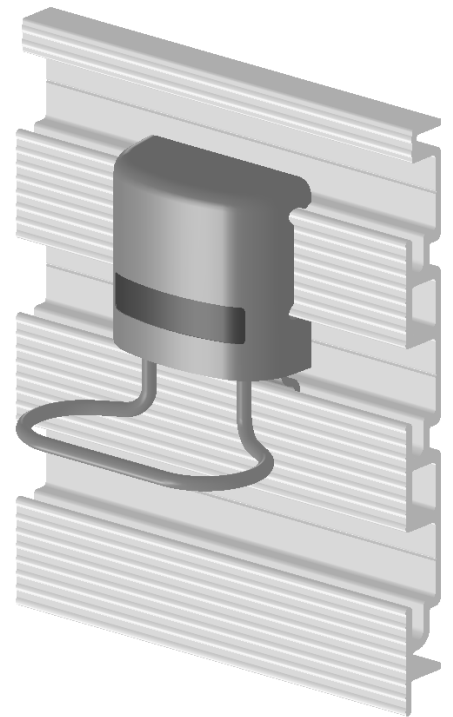
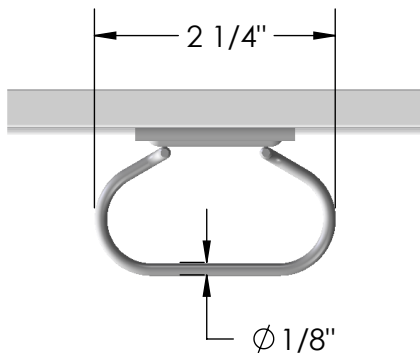
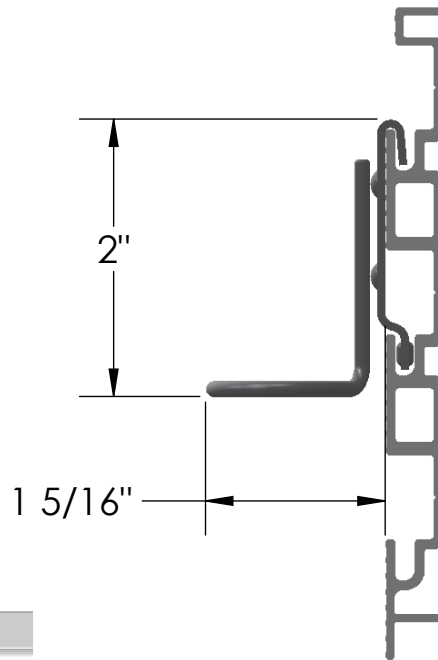
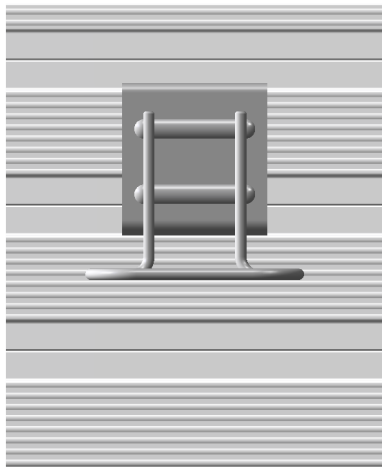
DESCRIPTION & SPECIFICATIONS

Give pliers, scissors and safety glasses a designated spot that keeps them handy with this versatile holder.

SIZE & CAPACITY | Light Duty

AVAILABLE FINISHES | 

Matte Aluminum.



INSTRUCTIONS & SPECIFICATIONS

- STEP 1: Align the holder above the track panel channels at desired height.
- STEP 2: Position the holder horizontally by sliding it along the track.
- STEP 3: Press the cover cap onto the holder bracket to fix position.
- One Cover Cap 300.5230 required & must be ordered separately
- Hooks & accessories are only intended to be mounted to the track

FINISH	CODE (FIN)
MATTE ALUMINUM	MAL

SUGGESTED USES	
PLIERS	SCISSORS
SAFETY GLASSES	