

**SHELF BRACKETS**  
**300.5208.MAL**

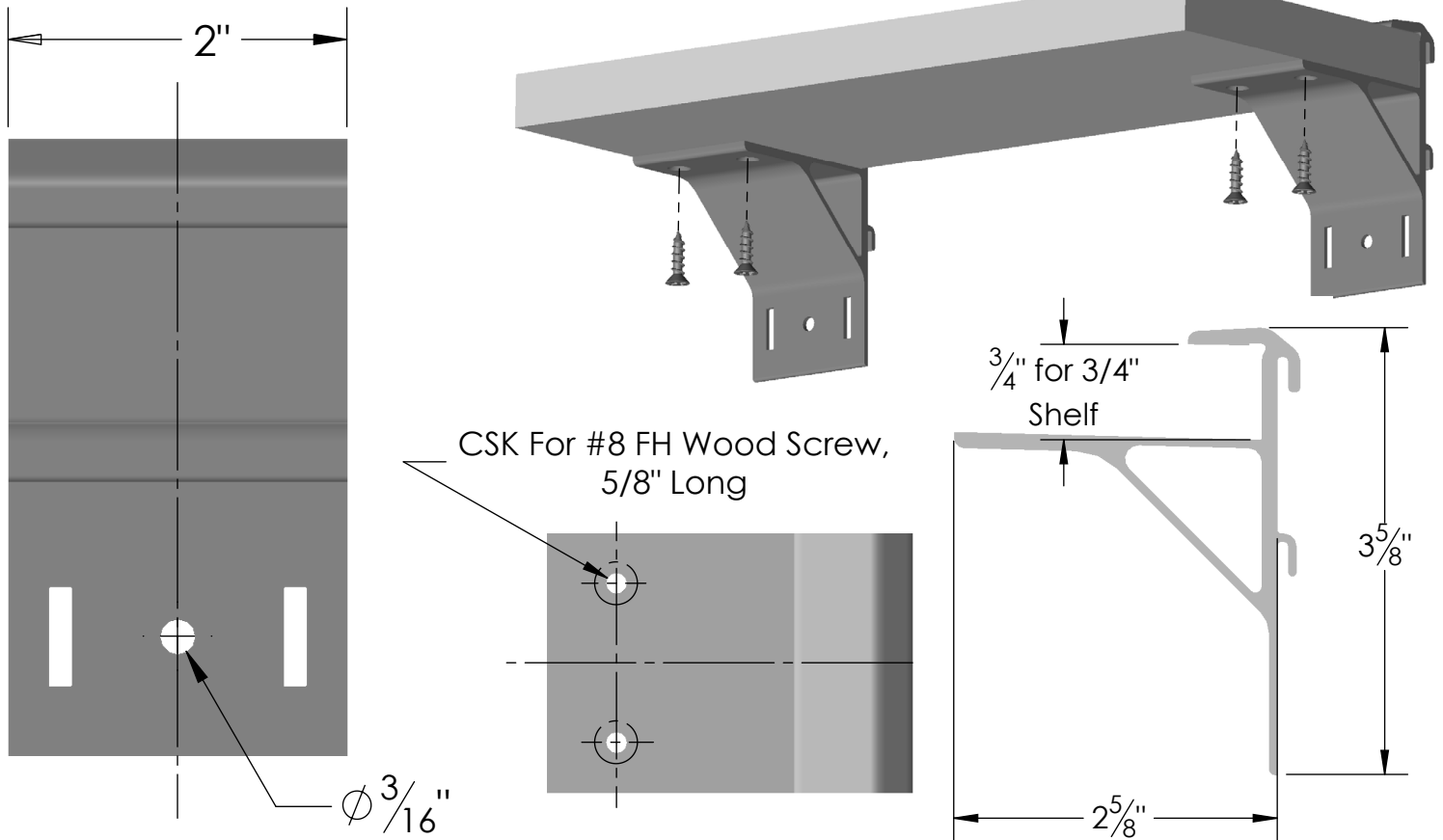
**DESCRIPTION & SPECIFICATIONS**

Shelf Brackets allow you to create a shelf where your need it. Appropriate for depths of up to 12" and 3/4" thick; use a pair for every 16" of width.

SIZE & CAPACITY | Heavy Duty

AVAILABLE FINISHES | 

Matte Aluminum.



**INSTRUCTIONS & SPECIFICATIONS**

- STEP 1: Align the brackets above the track panel channels.
- STEP 2: Position the brackets horizontally by sliding them on the track.
- STEP 3: Press the cover caps onto the brackets to fix position.

- One Cover Cap 300.5200 required & must be ordered separately
- Hooks & accessories are only intended to be mounted to the track

FINISH	CODE (FIN)
MATTE ALUMINUM	MAL

SUGGESTED USES	
CREATING 3/4" SHELVES	