

**SCREW COVER STRIP**  
**300.5109.MAL/WH**

DESCRIPTION & SPECIFICATIONS

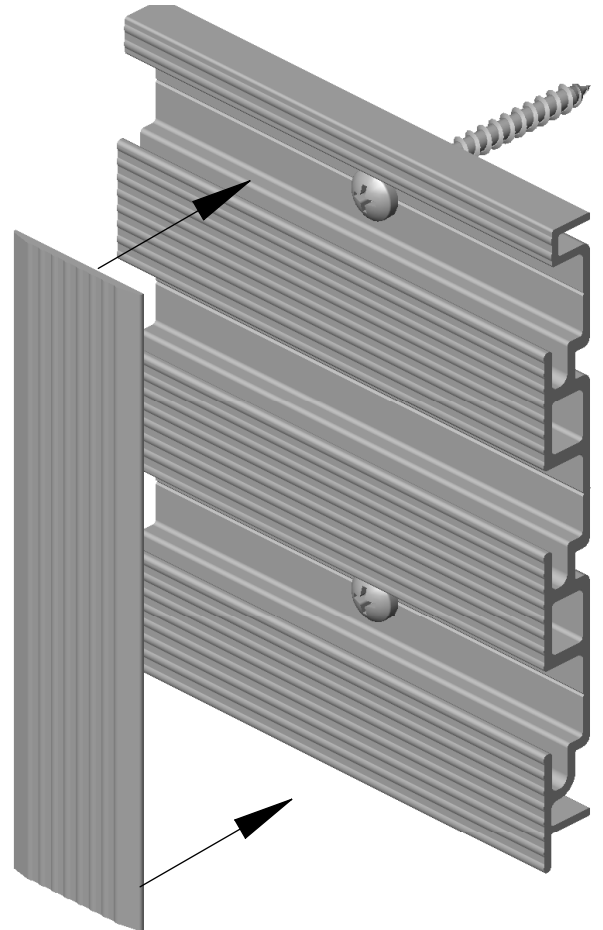
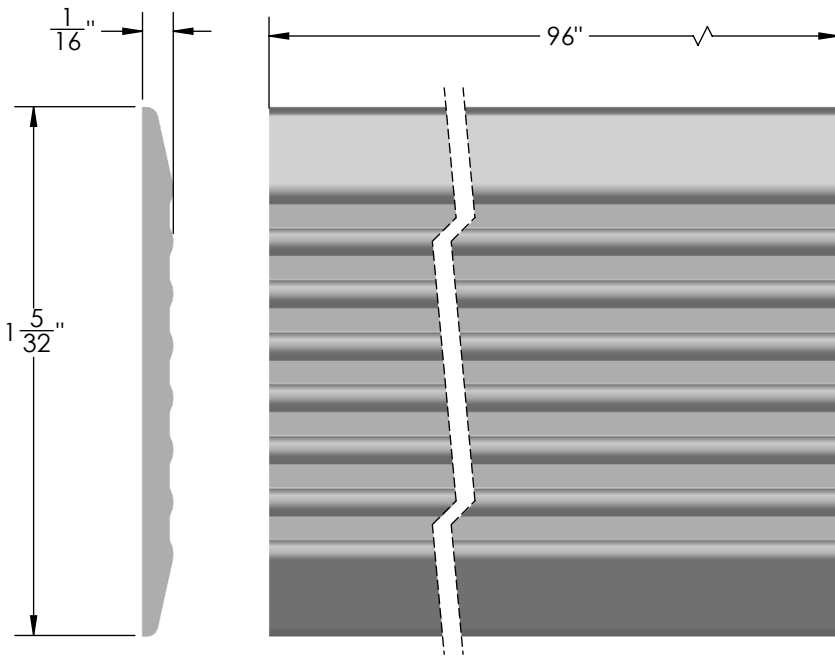
The Cover Strip is the perfect solution for covering up mounting hardware and adding a stylish and symmetrical finish to track configurations.

SIZE & CAPACITY | 96"

AVAILABLE FINISHES |



Matte Aluminum, White.



**INSTRUCTIONS & SPECIFICATIONS**

STEP 1: Apply Edge Profile Tape to back side of the Screw Cover Strip.  
STEP 2: Press the Screw Cover Strip on top of the track firmly.

- Edge Mounting Tape 300.5402 required to mount.

FINISH	CODE (FIN)
MATTE ALUMINUM	MAL
WHITE	WH

**TRACK SYSTEM  
MATTE ALUMINUM/WHITE**

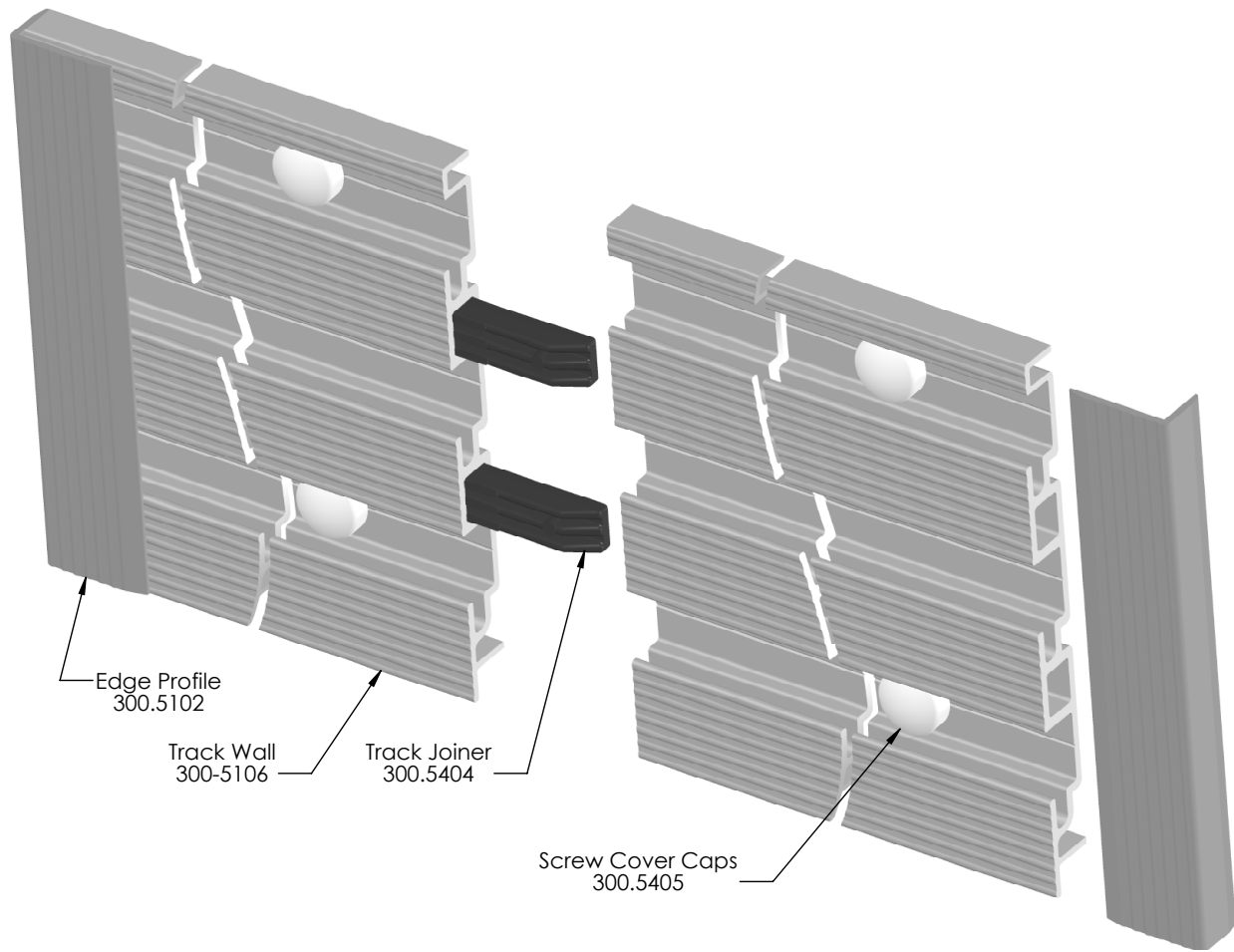
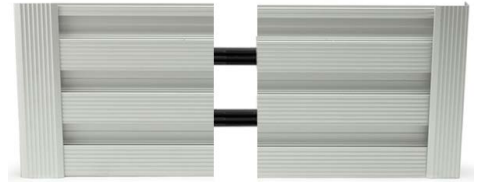
**DESCRIPTION & SPECIFICATIONS**

The TAG track system is the perfect solution for organizing your garage, office, closet and other areas with specialized hooks. The track replaces the outdated and unsightly pegboard system with functionality and aesthetics.

**AVAILABLE FINISHES**



Matte Aluminum, White.



**TRACK COMPONENTS & INSTALL HARDWARE**

COMPONENT	ITEM CODE	COLOR CODE	DESCRIPTION
FUSION TRACK	300.5106	MAL/WH	HOLDS HOOKS
EDGE PROFILE	300.5102	MAL/WH	FINISHES TRACK EDGES
SCREW COVER STRIP	300.5109	MAL/WH	CONCEALS SCREWS
TRACK JOINER	300.5404	BLK	JOINS TRACK PANELS

COMPONENT	ITEM CODE	COLOR CODE	DESCRIPTION
EDGE MOUNTING TAPE	300.5402	CLR	MOUNT EDGE PROFILE
PAINTED INSTALL SCREW	300.5401	MAL	INSTALL TRACK PANEL
HINGED SCREW CAPS	300.5405	MAL/WH	CONCEAL SCREWS
END CAPS	300.5403	BLK/WH	FINISH TRACK PANEL EDGES