

Tecturis E
Widespread Faucet 150, 1.2 GPM with Push Open Drain
 Finish: **Chrome** Part no. : **73031001**



Description

Features

- Consists of: Widespread Faucet
- Handle design: lever handle
- Spray pattern: Waterfall Stream
- Maximum flow rate : 1.2 GPM
- Ceramic cartridge
- Push-Open Drain 1 1/4"

Technology



Design awards



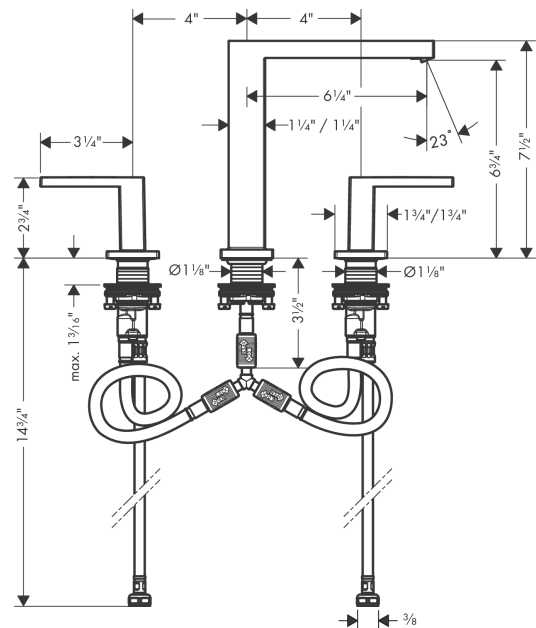
Compliance / Sustainability



Product image



Scale drawing

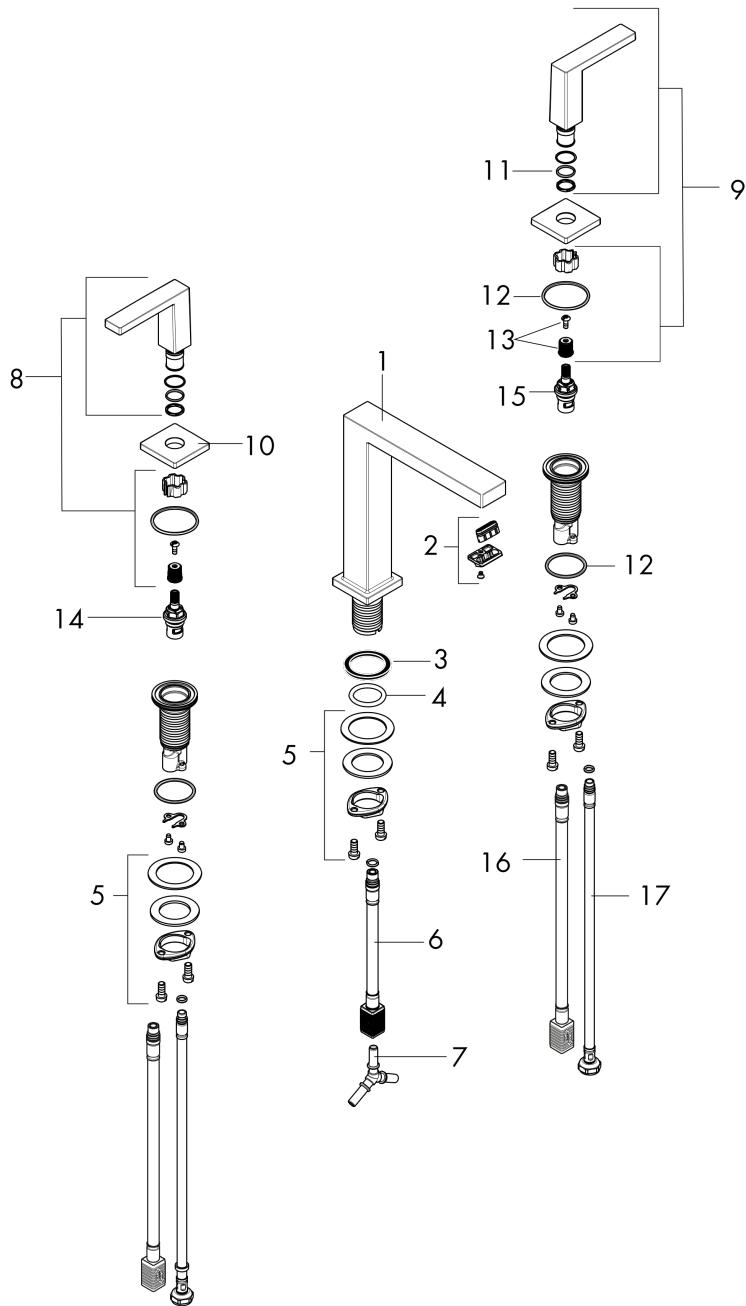


Tecturis E
Widespread Faucet 150, 1.2 GPM with Push Open Drain
 Finish: **Chrome** Part no. : **73031001**



Exploded drawing

Year of production: >02/24



Tecturis E
Widespread Faucet 150, 1.2 GPM with Push Open Drain
 Finish: **Chrome** Part no. : **73031001**



Spare parts list

Year of production: >02/24

Pos.	Description	Part no.	PC	PU
1	spout cpl.	87102000	0	1
2	aerator cpl.	94994000	0	1
3	flat seal	98749000	0	1
4	O-ring 26x4	92191000	0	1
5	null	92909000	0	1
6	null	92913000	0	1
7	hose connection angel	92905000	0	1
8	handle for hot water	87103000	0	1
9	handle for cold water	87104000	0	1
10	escutcheon	92915000	0	1
11	O-Ring 14x1,5	98201000	0	1
12	null	92907000	0	1
13	handle fixing set	98932000	0	1
14	shut off unit right closing	98817000	0	1
15	shut off unit left closing	95366000	0	1
16	null	92914000	0	1
17	connection hose 18½" M8x0,75 3/8"	96321001	0	1