

Talis S
Freestanding Tub Filler Trim with 1.75 GPM Handshower
 Finishes : **chrome** Part no. : **72413001**



Description

Features

- consists of: Freestanding tub filler trim, Baton handshower, Handshower hose
- Ceramic cartridge
- Integrated double backflow prevention

Item details

List Price \$ 847.00

Technology



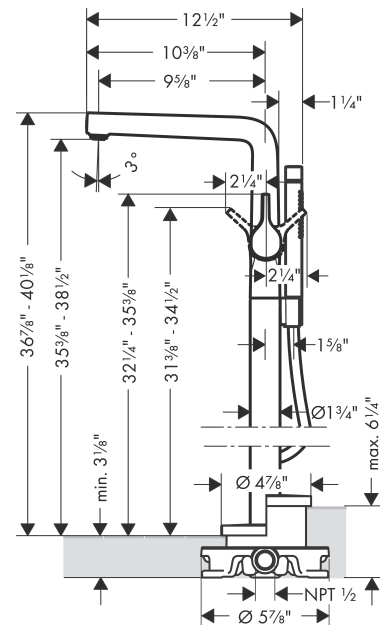
Compliance



Product image



Scale drawing

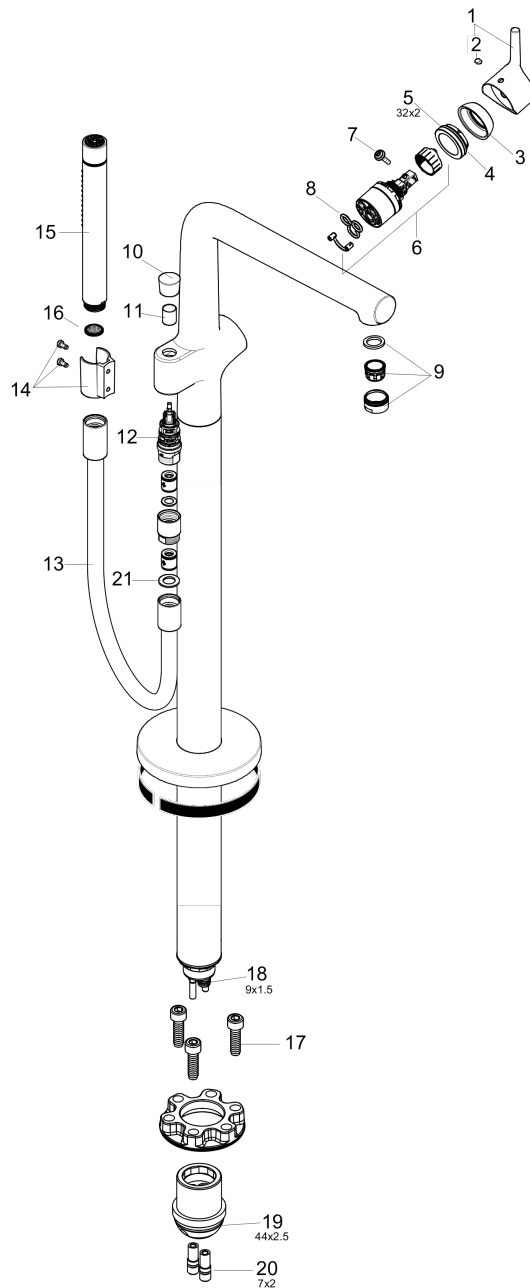


Talis S
Freestanding Tub Filler Trim with 1.75 GPM Handshower
 Finishes : **chrome** Part no. : **72413001**



Exploded drawing

Year of production: >01/19



Talis S
Freestanding Tub Filler Trim with 1.75 GPM Handshower
 Finishes : **chrome** Part no. : **72413001**



Spare parts list

Year of production: >01/19

Pos.	Description	Part no.	Price	PU
1	handle	92644000	-	1
2	screw cover	96338000	-	1
3	flange	97406000	-	1
4	nut	97209000	-	1
5	O-Ring 32x2	98193000	-	1
6	cartridge, assy	92730000	-	1
7	locking screw for handle	95140000	-	1
8	seal	95008000	-	1
9	aerator M24x1 (38 l/min)	95871000	-	1
10	diverter knob	95284000	-	1
11	sleeve	97738000	-	1
12	selector assy	94077000	-	1
13	shower hose 1,25 m	28282000	-	1
14	shower holder, assy	96295000	-	1
15	handshower	04486000	-	1
16	filter packing	94246000	-	1
17	hexagon socket screw M10x35	97670000	-	1
18	O-ring 9x1,5	98117000	-	1
19	O-ring 44x2,5	98162000	-	1
20	O-ring 7x2	98419000	-	1
21	seal	98058000	-	1
a	extension set 60 mm	97686000	-	1
b	set of non return valves DW 15	94074000	-	1
c	O-ring 29x3	98371000	-	1