

Logis

Single-Hole Faucet 70, 1.0 GPM

Finishes : **chrome** Part no. : **71078001**



Description

Features

- Aerated spray
- Flow: 1.0 GPM (3.8 L/Min)
- Ceramic cartridge

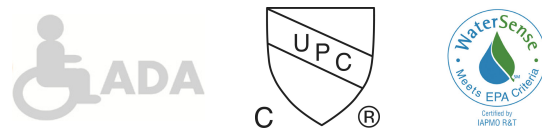
Item details

List Price \$ 170.00

Technology



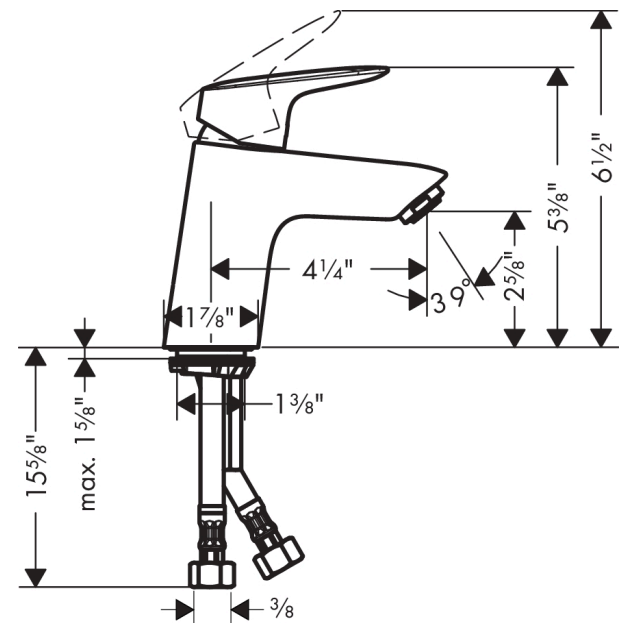
Compliance



Product image



Scale drawing

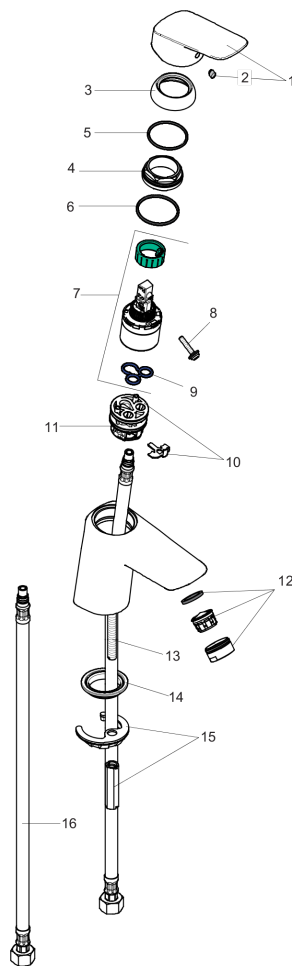


Logis
Single-Hole Faucet 70, 1.0 GPM
Finishes : **chrome** Part no. : **71078001**



Exploded drawing

Year of production: >07/16



Logis**Single-Hole Faucet 70, 1.0 GPM**Finishes : **chrome** Part no. : **71078001****Spare parts list**

Year of production: >07/16

| Pos. | Description | Part no. | Price | PU |
|------|-----------------------------------|----------|-------|----|
| 1 | handle | 92224000 | - | 1 |
| 2 | screw cover | 96338000 | - | 1 |
| 3 | flange | 97406000 | - | 1 |
| 4 | nut | 97209000 | - | 1 |
| 5 | O-Ring 32x2 | 98193000 | - | 1 |
| 6 | O-ring 35x2 | 92604000 | - | 1 |
| 7 | cartridge, assy | 95646001 | - | 1 |
| 8 | locking screw for handle | 95140000 | - | 1 |
| 9 | seal | 95008000 | - | 1 |
| 10 | adapter for cartridge | 98750000 | - | 1 |
| 11 | O-Ring 30x2 | 98186000 | - | 1 |
| 12 | aerator M24x1 (3,5 l/min) | 92508000 | - | 1 |
| 13 | screw M8 x 68 | 97736000 | - | 1 |
| 14 | seal | 97608000 | - | 1 |
| 15 | fixing set | 96016000 | - | 1 |
| 16 | connection hose 18½" M8x0,75 3/8" | 96321001 | - | 1 |