

**PuraVida  
Dual Towel Bar**

Finishes : **chrome**    Part no. : **41512000**



**Description**

**Features**

- Brass
- Wall-mounted
- Metal holder
- Arms swivel independently

**Item details**

List Price \$ 193.00

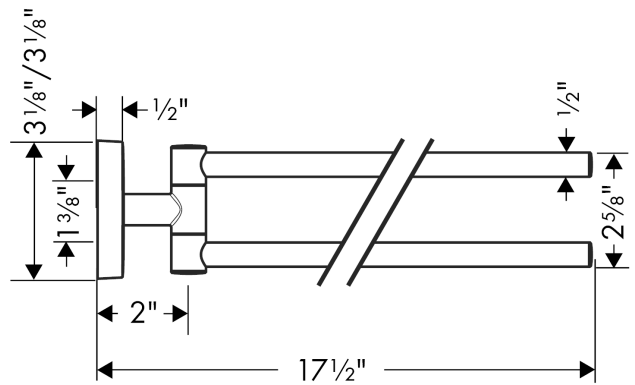
**Compliance**



**Product image**



**Scale drawing**



PuraVida

Dual Towel Bar

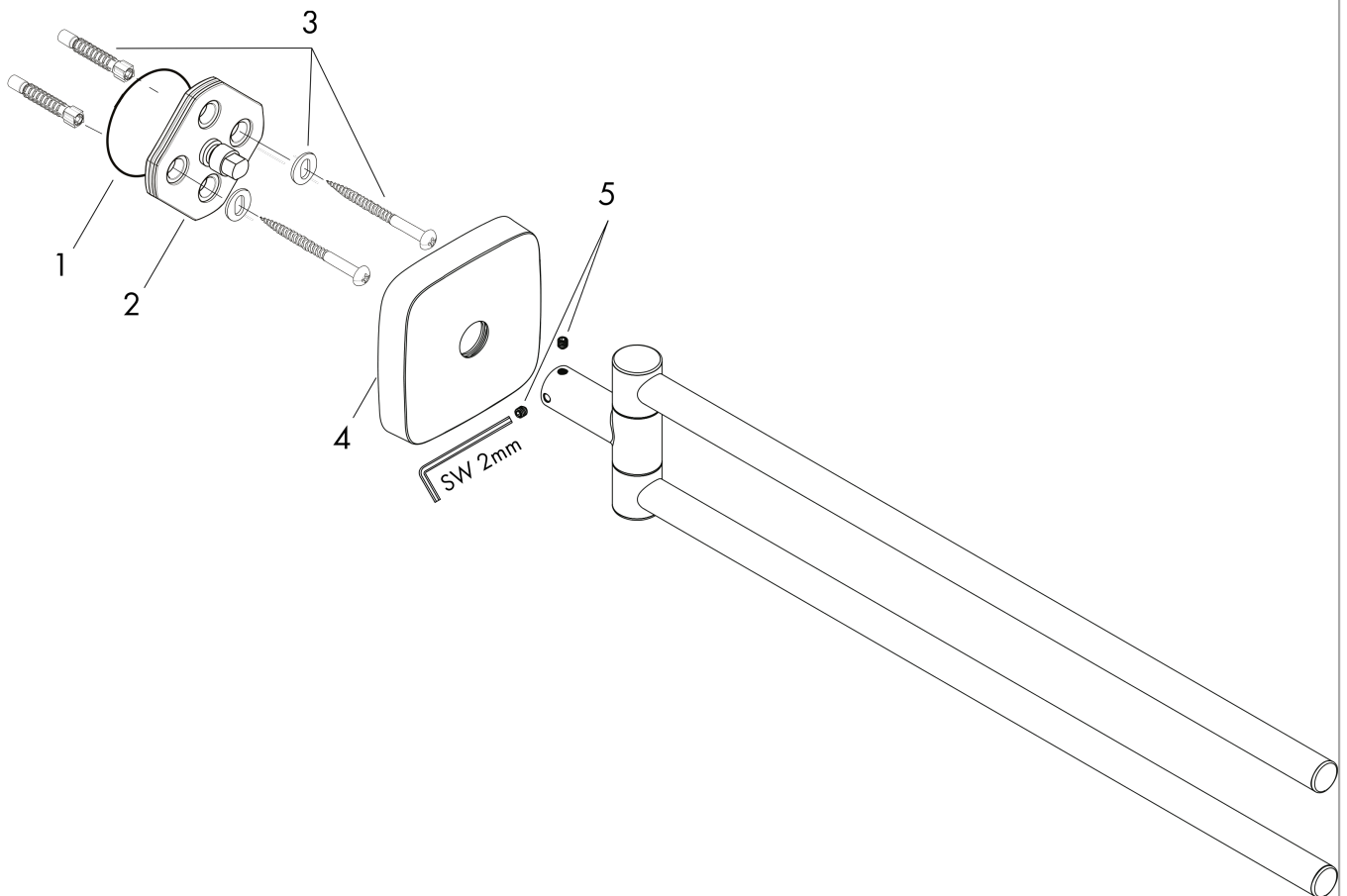
Finishes : **chrome**

Part no. : **41512000**



Exploded drawing

Year of production: >07/09



**PuraVida**

**Dual Towel Bar**

Finishes : **chrome** Part no. : **41512000**



**Spare parts list**

Year of production: >07/09

Pos.	Description	Part no.	Price	PU
1	O-ring 45x2,5	98432000	-	1
2	support element	98539000	-	1
3	mounting set	96179000	-	1
4	escutcheon	95374000	-	1
5	hollow set screw M4x4	98540000	-	1