

Metropol

4-Hole Roman Tub Set Trim with Lever Handles and 1.75 GPM Handshower

Finishes : **chrome** Part no. : **32557001**



Description

Features

- Consists of: Handshower, 4-Hole Roman tub filler trim
- spray type mixer: Aerated spray
- spray type hand shower: RainAir, Rain, Whirl
- Flow: 6.0 GPM (22.7 L/Min)
- flow rate of hand shower at 3 bar: 1.75 GPM (6.6 L/Min)
- 90° ceramic valves
- Integrated double backflow prevention

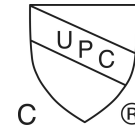
Item details

List Price \$ 891.00

Technology



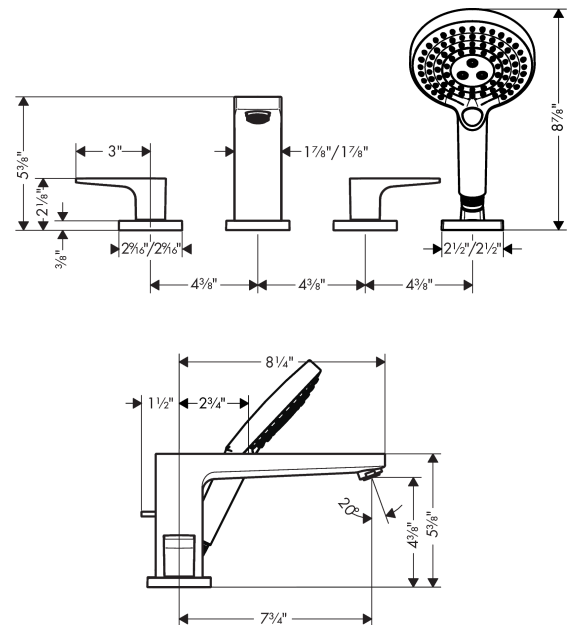
Compliance



Product image



Scale drawing



Metropol

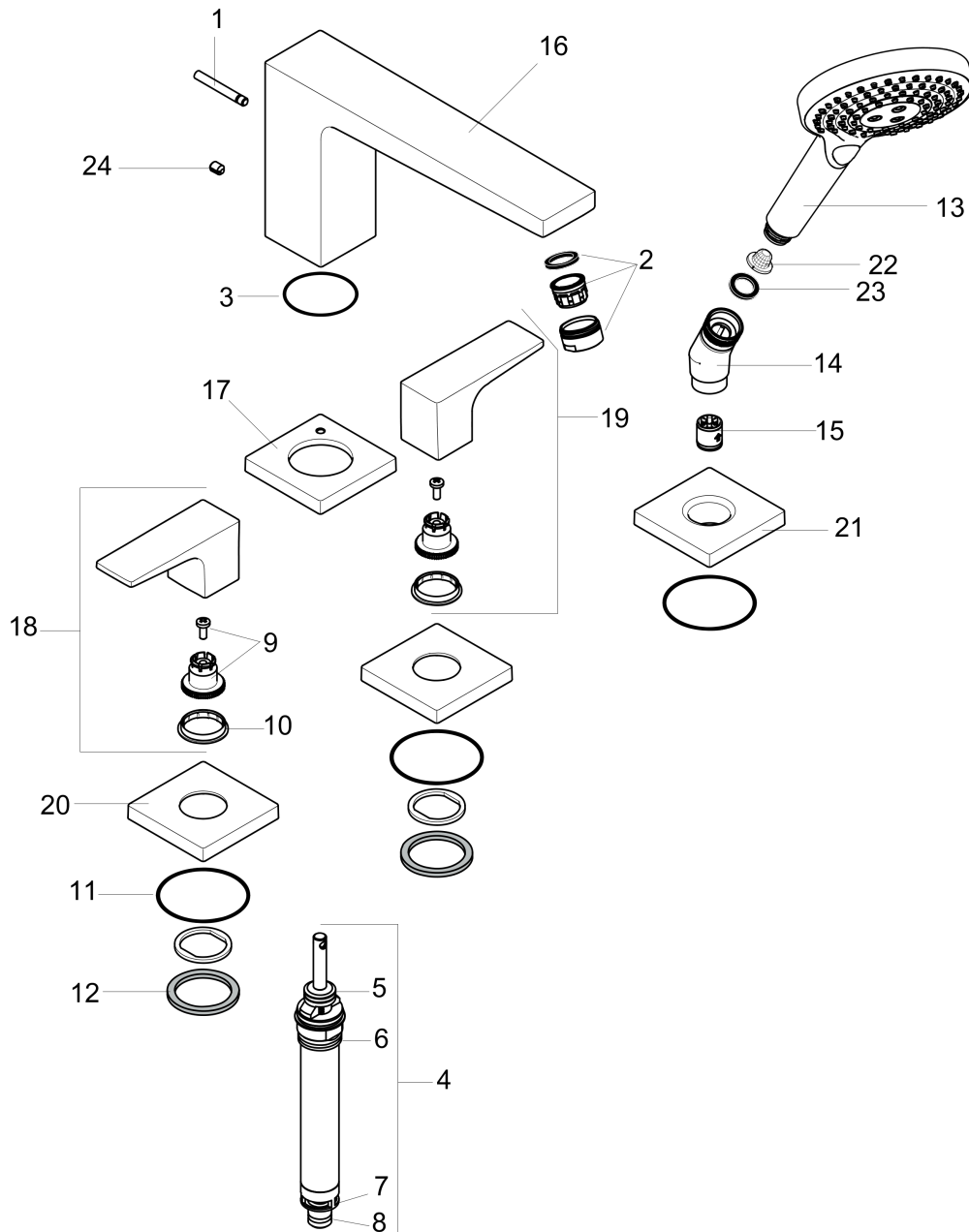
4-Hole Roman Tub Set Trim with Lever Handles and 1.75 GPM Handshower

Finishes : **chrome** Part no. : **32557001**



Exploded drawing

Year of production: >01/19



Metropol

4-Hole Roman Tub Set Trim with Lever Handles and 1.75 GPM Handshower

Finishes : **chrome** Part no. : **32557001**



Spare parts list

Year of production: >01/19

Pos.	Description	Part no.	Price	PU
1	diverter knob	98707000	-	1
2	aerator M24x1 (30 l/min)	96512000	-	1
3	O-ring 41x1,5	98168000	-	1
4	selector assy	96775000	-	1
5	O-Ring 14x2,5	98189000	-	1
6	O-Ring 23x2,5	98183000	-	1
7	O-Ring 22x2	98185000	-	1
8	O-ring 9x2,5	98217000	-	1
9	handle fixing set	94184000	-	1
10	set of color-rings cold / hot water	95819000	-	1
11	O-ring 56x2	98468000	-	1
12	flat seal	98749000	-	1
13	handshower	26036001	-	1
14	shower holder	28071000	-	1
15	set of non return valves DW 15	94074000	-	1
16	spout cpl.	93151000	-	1
17	escutcheon for spout	93152000	-	1
18	handle for hot water	93167000	-	1
19	handle for cold water	93168000	-	1
20	escutcheon for handle	93169000	-	1
21	escutcheon for shower holder	93153000	-	1
22	filter	92672000	-	1
23	seal	98058000	-	1
24	hollow set screw M6x8	98444000	-	1