

**Metris S**

**Widespread Faucet 100 with Lever Handles and Pop-Up Drain, 1.2 GPM**

Finishes : **chrome** Part no. : **31067001**



**Description**

**Features**

- Aerated spray
- Flow: 1.2 GPM (4.5 L/Min)
- 90° ceramic valves
- Includes pop-up drain

**Item details**

List Price \$ 627.00

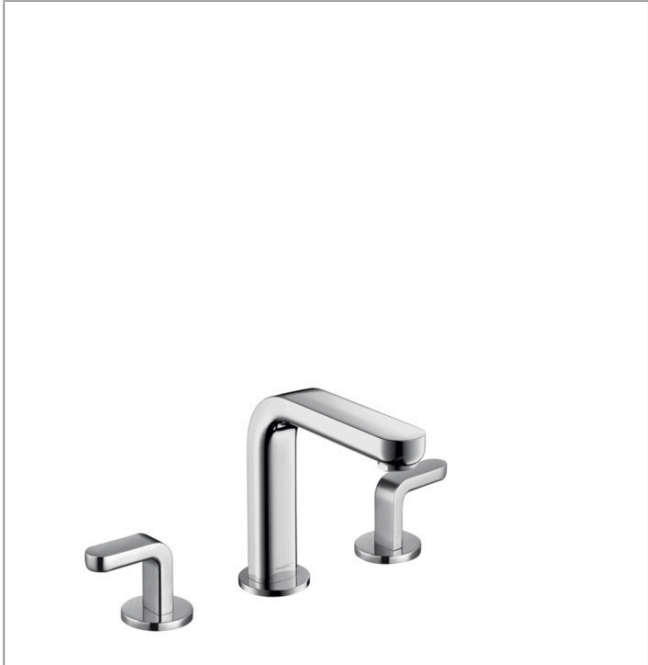
**Technology**



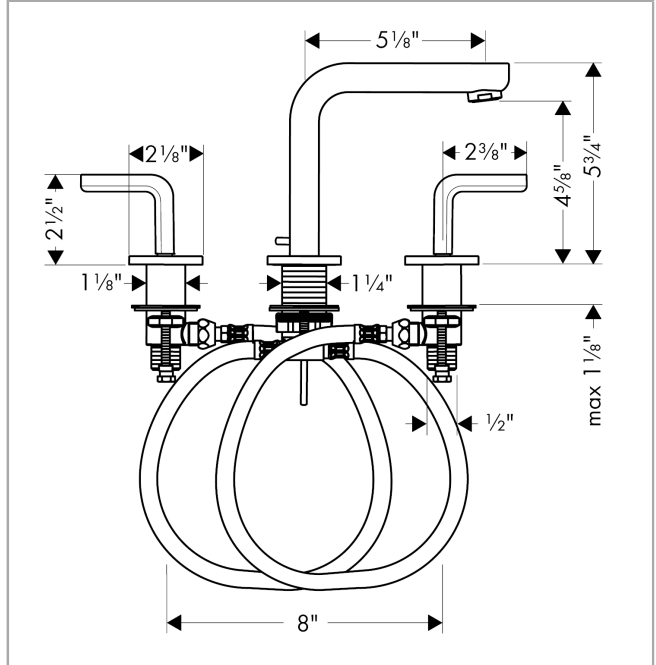
**Compliance**



**Product image**



**Scale drawing**



**Metris S**

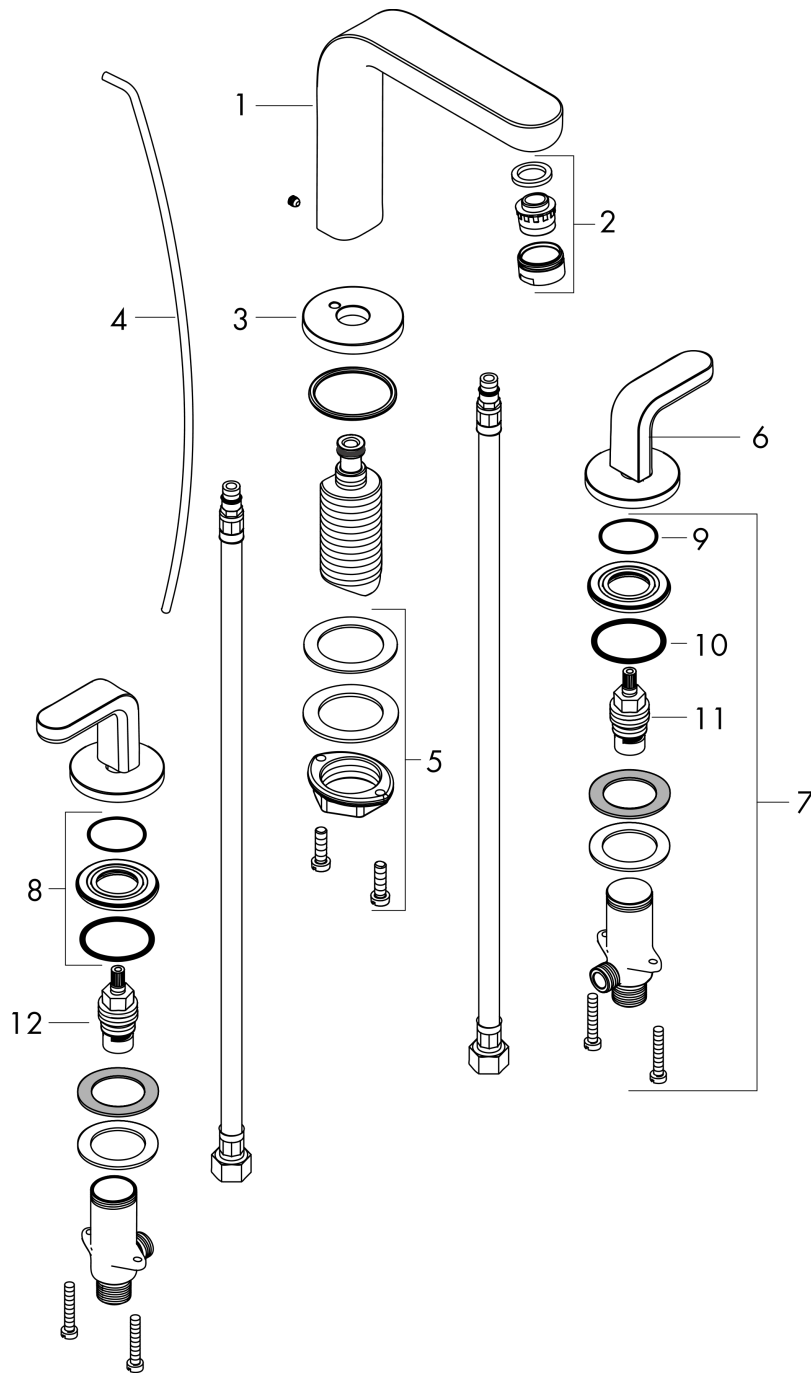
**Widespread Faucet 100 with Lever Handles and Pop-Up Drain, 1.2 GPM**

Finishes : **chrome** Part no. : **31067001**



**Exploded drawing**

Year of production: >07/16



**Metris S**

**Widespread Faucet 100 with Lever Handles and Pop-Up Drain, 1.2 GPM**

Finishes : **chrome** Part no. : **31067001**



**Spare parts list**

Year of production: >07/16

Pos.	Description	Part no.	Price	PU
1	spout cpl.	97504000	-	1
2	aerator M24x1 (4,5 l/min)	92877000	-	1
3	escutcheon for spout	97505000	-	1
4	pull rod	96657000	-	1
5	fixing set (Ø 32)	13961000	-	1
6	handle for cold water	98827000	-	1
7	stop valve cpl.	97357001	-	1
8	nut	92854000	-	1
9	O-Ring 32x2,5	96364000	-	1
10	O-ring 40x3	92634000	-	1
11	shut off unit left closing	94008000	-	1
12	shut off unit right closing	94009000	-	1
a	aerator M24x1 (3,5 l/min)	92508000	-	1