

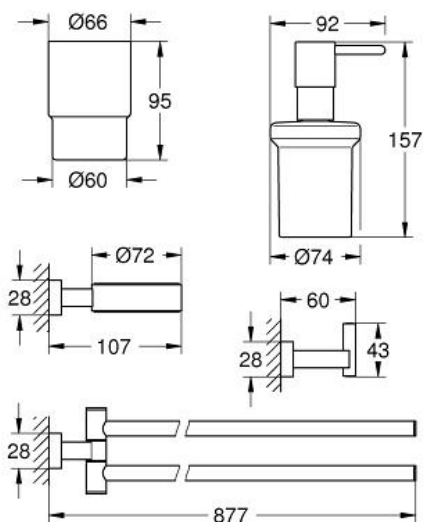
# ESSENTIALS CUBE

MODEL # 40847001

*Pure Freude an Wasser*



GROHE America, Inc | 200 North Gary Avenue, Suite G, Roselle, IL 60172  
Phone: +1 (800) 444-7643 | Fax: +1 (800) 225-2778 | us-customerservice@grohe.com



## Product Description:

### Standard Specification:

- Material: glass/metal
- Consisting of:
- Soap dispenser with holder (40 756 001)
- Crystal glass with holder (40 755 001)
- Double towel bar (40 624 001)
- Includes robe hook (40 511 001)
- Concealed fastening
- **GROHE StarLight** finish

### Color:

- 40847001 001 chrome