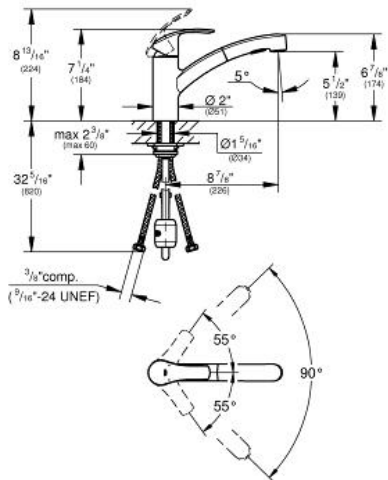


EUROSMART  
Single-lever sink mixer 1/2"  
MODEL # 30306000

Pure Freude an Wasser



GROHE America, Inc | 200 North Gary Avenue, Suite G, Roselle, IL 60172  
Phone: +1 (800) 444-7643 | Fax: +1 (800) 225-2778 | us-customerservice@grohe.com



**Product Description:**  
Single-lever sink mixer 1/2"

**Standard Specification:**

- Single hole installation
- **GROHE StarLight®** finish
- **GROHE SilkMove** 35 mm ceramic cartridge
- Adjustable flow rate limiter
- Swivel Spout
- **Pull-out Dual Spray Control** - switches back and forth between regular flow and spray
- **Locking Push Button Control** - to switch from regular flow to spray
- Automatic return to aerator
- Quick installation system
- Protected against backflow

**Color:**

- 30306000 000 chrome