

BATHROOM  
 Vignola Floor-Mounted Tub Filler  
 (Rough & Trim)  
**G-11657-C20**



**Information**

- Floor-mount installation
- Aerated spout flow rate ~7 gpm @ 45 psi
- Handshower flow rate ≤1.5 max gpm
- 8-7/8" spout reach
- 38-1/16"-41-1/4" approximate height
- Includes handshower with 59" spiral flexible hose (PVD finishes use 59" flex hose)

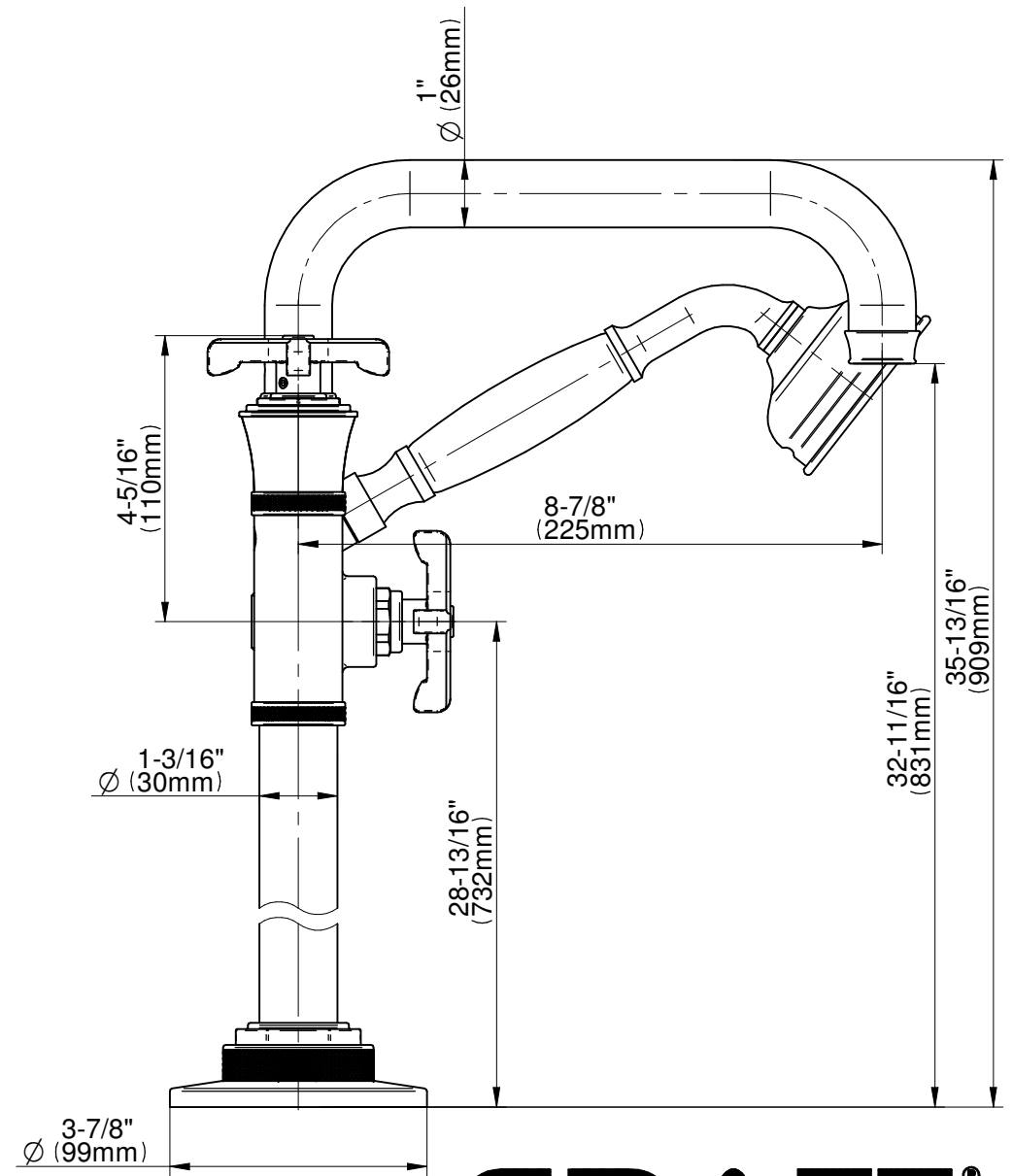
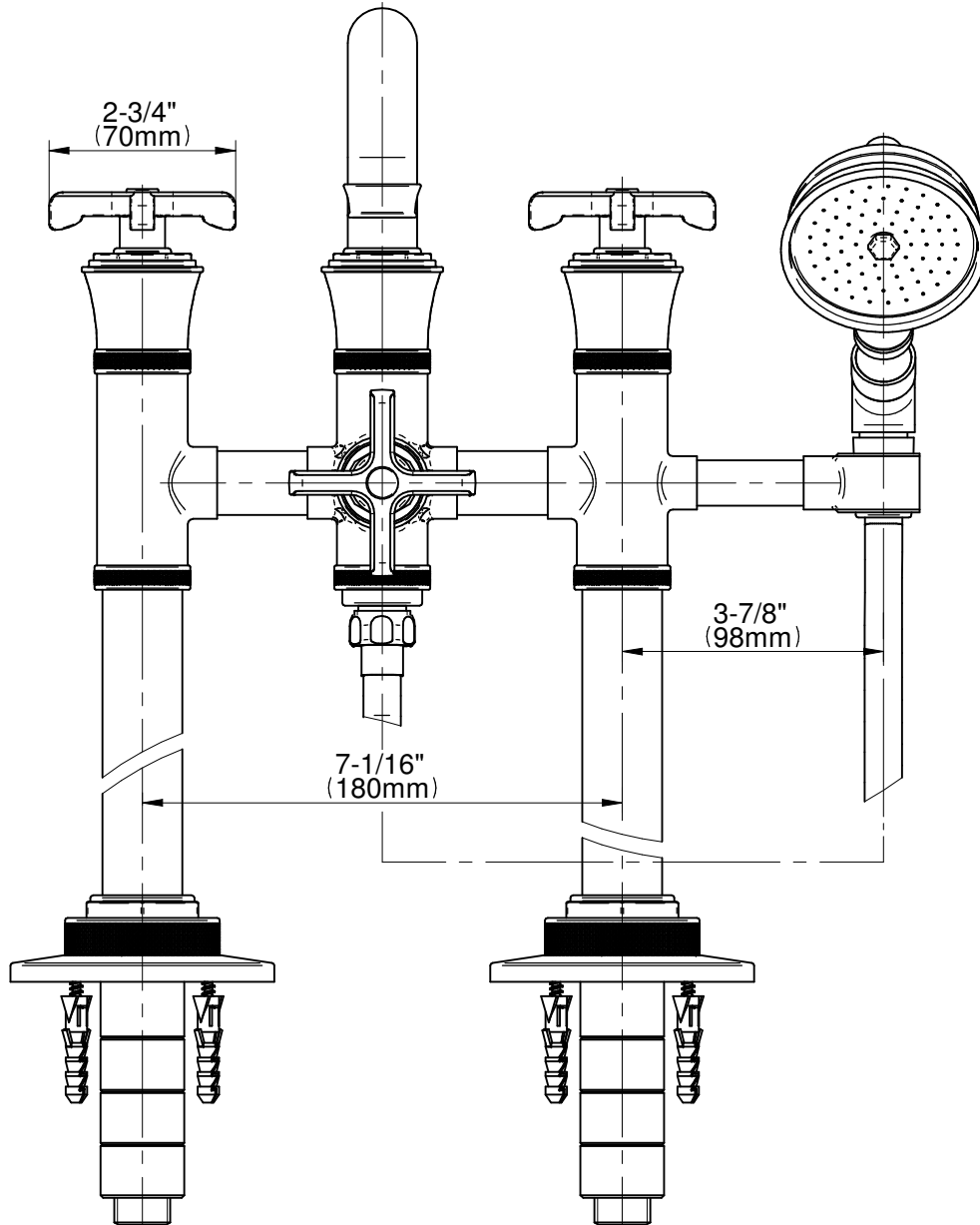
**Finishes**





# G-11657-\*\*-C20B

## VIGNOLA Series



**GRAFF**<sup>®</sup>  
Art of Bath