

BATHROOM  
MOD+ Floor-Mounted Tub Filler  
**G-11554**

---

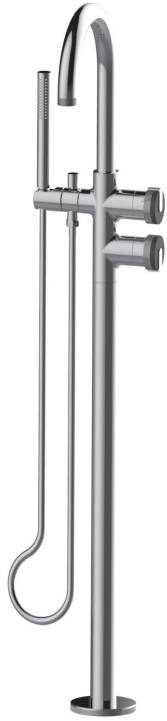
**GRAFF®**



# G-11554-\*\*\*L1\*\*-\*\*-T

MOD+ Collection  
Floor-Mounted Tub Filler

# GRAFF®



## Product Features

- Floor-mount installation
- Aerated spout flow rate ~7 gpm @ 45 psi
- Handshower flow rate ≤1.5 max gpm
- 8-11/16" spout reach
- 42-13/16" - 45-15/16" approximate height
- Includes handshower with 59" spiral flexible hose (PVD finishes use 59" flex hose)
- Optional in-line pressure balancing valve

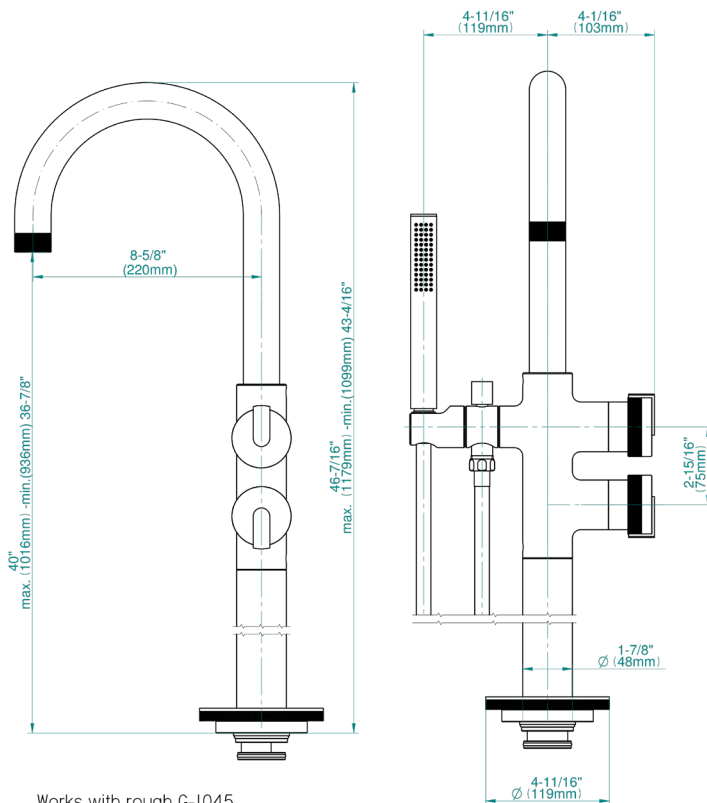
## Warranty

- Limited lifetime warranty

For complete warranty information go to <https://www.graff-designs.com/en/info/faqs>

## Available Finishes

- Polished Chrome\*  
G-8026H-\*\*\*E0-L1\*\*-PC-T\*
- Polished Nickel\*  
G-8026H-\*\*\*E0-L1\*\*-PN\*-T
- Brushed Nickel\*  
G-8026H-\*\*\*E0-L1\*\*-BNi-T\*
- Unfinished Brushed Brass\*  
G-8026H-\*\*\*E0-L1\*\*-UBB-T\*
- Unfinished Brass\*  
G-8026H-\*\*\*E0-L1\*\*-UB-T\*
- Matte Black\*  
G-8026H-\*\*\*E0-L1\*\*-MBK-T\*
- Architectural Black\*  
G-8026H-\*\*\*E0-L1\*\*-BK-T\*
- Architectural White\*  
G-8026H-\*\*\*E0-L1\*\*-WT-T\*
- Olive Bronze\*  
G-8026H-\*\*\*E0-L1\*\*-OB-T\*
- Gunmetal\*  
G-8026H-\*\*\*E0-L1\*\*-GM-T\*
- Vintage Brushed Brass\*  
G-8026H-\*\*\*E0-L1\*\*-VBB-T\*
- OR'osa PVD\*  
G-8026H-\*\*\*E0-L1\*\*-RG-T\*
- Brushed OR'osa PVD\*  
G-8026H-\*\*\*E0-L1\*\*-BRG-T\*
- Onyx PVD\*  
G-8026H-\*\*\*E0-L1\*\*-OX-T\*
- Brushed Onyx PVD\*  
G-8026H-\*\*\*E0-L1\*\*-BOX-T\*
- Polished Brass PVD\*  
G-8026H-\*\*\*E0-L1\*\*-PB-T\*
- Brushed Brass PVD\*  
G-8026H-\*\*\*E0-L1\*\*-PB-T\*
- 24K Brushed Gold\*  
G-8026H-\*\*\*E0-L1\*\*-BAU-T\*
- 24K Gold\*  
G-8026H-\*\*\*E0-L1\*\*-AU-T\*



Works with rough G-I045

\* Special order finish- call for availability  
\*\* - please specify finish  
\*\*\* - please specify handle: R2MB Marble Storm Black, R2MW Marble Smoky White, R2MG Marble Forest Green, R1\*\* Brass please specify any finish

The measurements shown are for reference only. Products and specifications shown are subject to change without notice. Revised 6/2020.

[www.graff-designs.com](http://www.graff-designs.com) | phone: 800-954-4723