

SHOWER  
Finezza DUE M-Series  
Thermostatic Shower System -  
Tub and Shower with Handshower  
**GP3.M22SH-C15E0**

---

**GRAFF®**

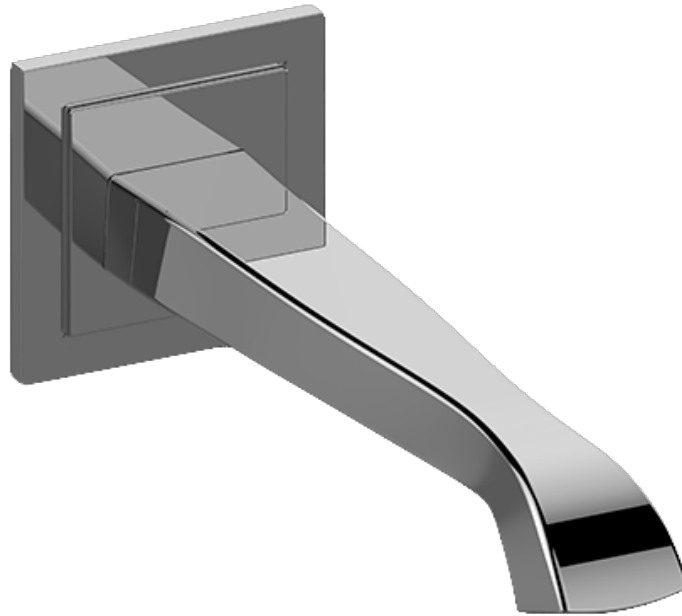


## Information

- 3/4" thermostatic valve and trim
- 3/4" stop/volume control valve and 2-way diverter valve and trims
- 9" showerhead with 12" wall-mounted shower arm
- Showerhead features no-clog, easy-clean spray nozzles
- Handshower set with wall bracket and 59" hose (PVD finishes use 59" flex hose)
- 8" matching Finezza collection tub spout
- Optional extension kit
- Flow rates: showerhead  $\leq 1.8$  max gpm, handshower  $\leq 1.8$  max gpm
- ADA

SHOWER  
8" Finezza Tub Spout  
**G-6865**

**GRAFF®**



**Information**

- Includes spout ring
- 1/2" NPT male thread inlet
- Tub spout flow rate ~ 12.4 gpm @60 psi
- Matches Finezza UNO and Finezza DUE Collections

**Finishes**



24K Gold



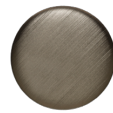
24K Brushed Gold



Brushed Brass PVD



Architectural Black™



Brushed Nickel



Gunmetal



Matte Black



Olive Bronze



Onyx PVD®



Polished Brass PVD



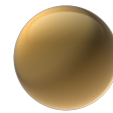
Polished Chrome



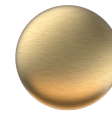
Polished Nickel



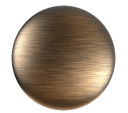
OR'osa PVD®



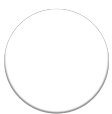
Unfinished Brass



Unfinished Brushed Brass



Vintage Brushed Brass

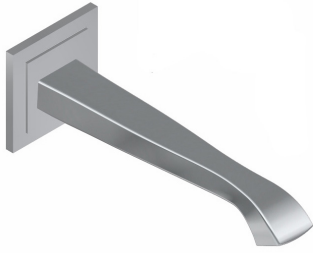


Architectural White

## G-6865

Finezza Collection  
8" Finezza Tub Spout

# GRAFF®



### Product Features

- Includes spout ring
- 1/2" NPT female thread inlet
- Matches Finezza UNO and Finezza DUE Collections
- Tub spout flow rate ~ 12.4 gpm @60 psi

### Available Finishes

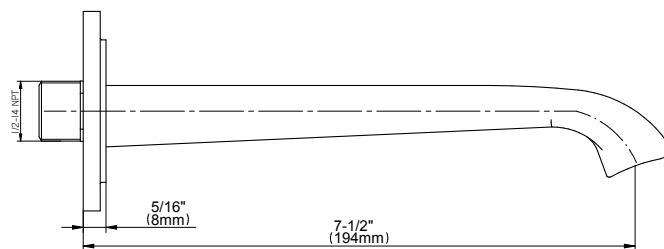
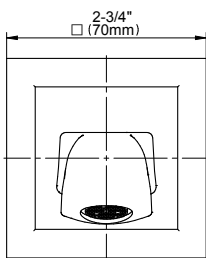
- Polished Chrome  
G-6865-PC
- Brushed Nickel  
G-6865-BNi
- Polished Nickel  
G-6865-PN
- Olive Bronze  
G-6865-OB
- Unfinished Brass\*  
G-6865-UB\*
- Gold\*  
G-6865-AU\*
- Brushed Gold\*  
G-6865-BAU\*

\* Special order finish- call for availability

### Warranty

- Limited lifetime warranty

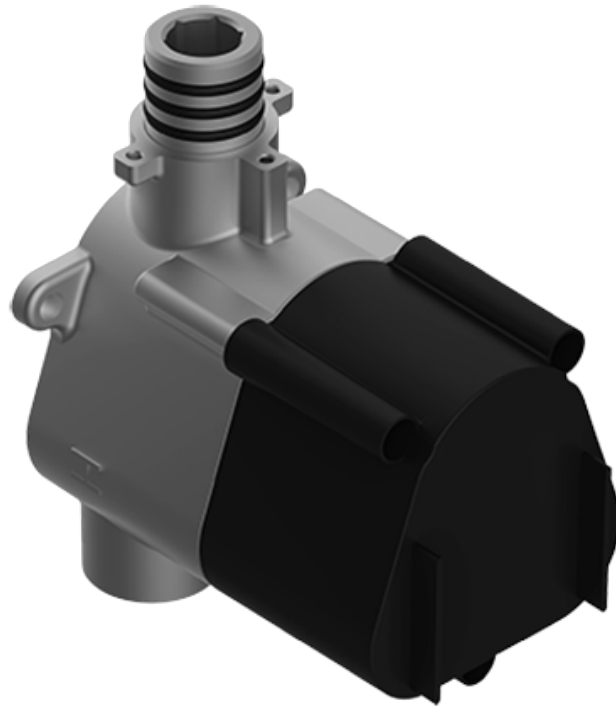
For complete warranty information go to <https://www.graff-faucets.com/en/info/faqs>



The measurements shown are for reference only. Products and specifications shown are subject to change without notice. Revised 5/2018.

[www.graff-designs.com](http://www.graff-designs.com) | phone: 800-954-4723

SHOWER  
Thermostatic Rough Valve  
**G-8006**



**Information**

- 12.9 gpm @ 60 psi
- 3/4" universal inlets
- Built-in service stops
- Stacking outlet feature
- Complete serviceability from front of all units
- Supplied with protective plastic cover
- CalGreen compliant dependent on functions

**Finishes**

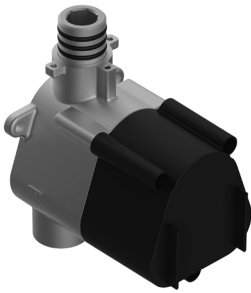




# G-8006

M-Series

3/4" Concealed Thermostatic Rough Valve



## Product Features

- 12.9 gpm @ 60 psi
- 3/4" universal inlets
- Built-in service stops
- Stacking outlet feature
- Complete serviceability from front of all units
- Supplied with protective plastic cover
- CalGreen compliant dependent on functions

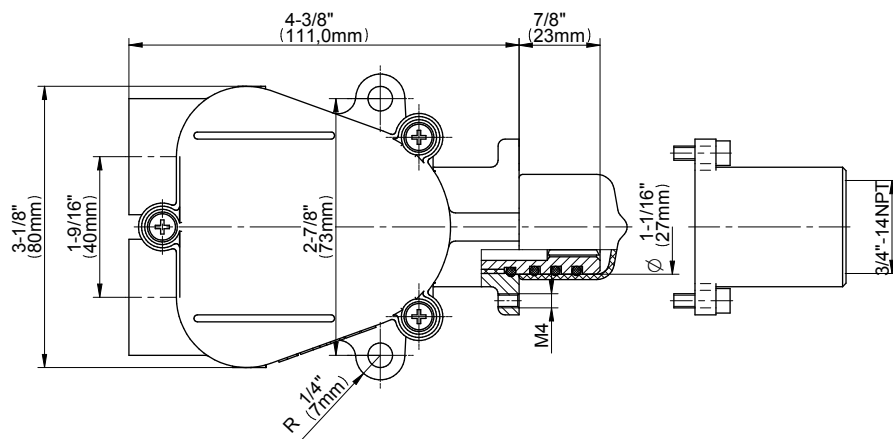
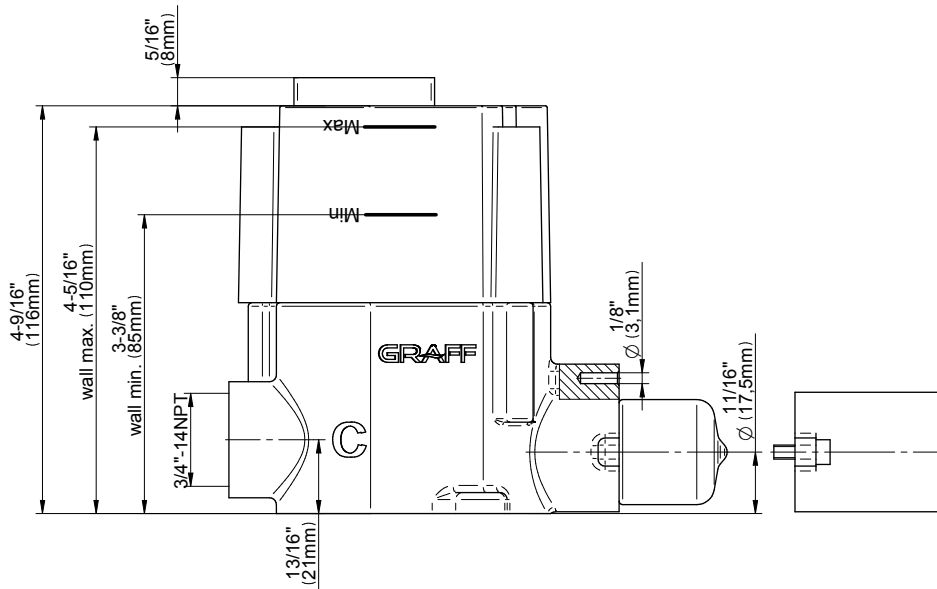
## Code Compliance

- CALGreen

## Warranty

- Limited lifetime warranty

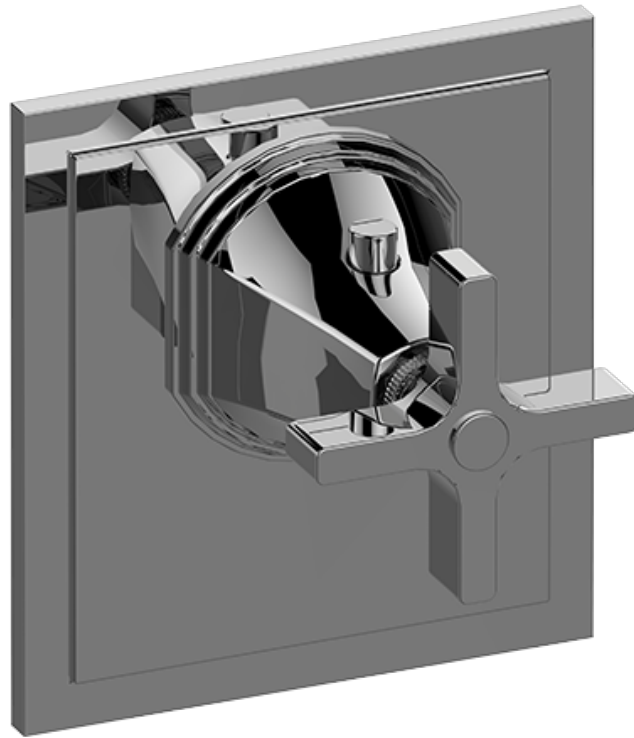
For complete warranty information go to [www.graff-faucets.com/en/info/faqs](http://www.graff-faucets.com/en/info/faqs)



The measurements shown are for reference only. Products and specifications shown are subject to change without notice. Revised 3/2016.

[www.graff-faucets.com](http://www.graff-faucets.com) | phone: 800-954-4723

SHOWER  
 Finezza UNO Thermostatic Valve  
 Trim Plate and Handle  
**G-8044-C15E-T**



**Information**

- Single metal handle
- Decorative trim plate
- Use with G-8006 thermostatic rough valve
- To complete package, you must order rough valve

**Finishes**



24K Gold



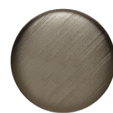
24K Brushed Gold



Brushed Brass PVD



Architectural Black™



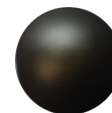
Brushed Nickel



Gunmetal



Matte Black



Olive Bronze



Onyx PVD®



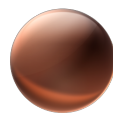
Polished Brass PVD



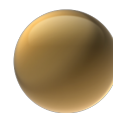
Polished Chrome



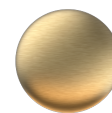
Polished Nickel



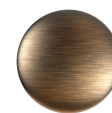
OR'osa PVD®



Unfinished Brass



Unfinished Brushed Brass



Vintage Brushed Brass



Architectural White

# G-8044-C15E-T

Finezza UNO Collection

Thermostatic Valve Trim Plate and Handle

**GRAFF**<sup>®</sup>  
CUTTING EDGE DESIGN



## Product Features

- Single metal handle
- Decorative trim plate
- Use with G-8006 thermostatic rough valve
- To complete package, you must order rough valve

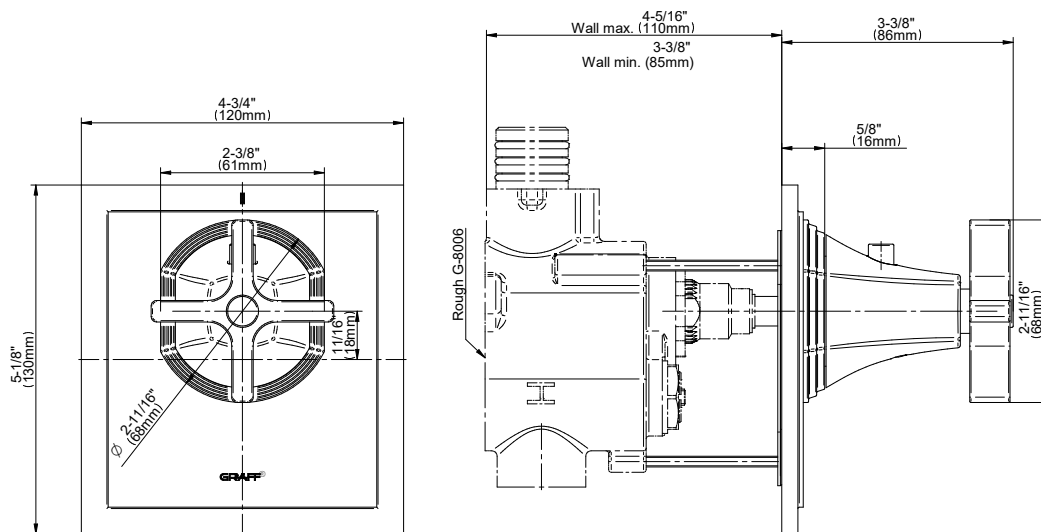
## Available Finishes

- Polished Chrome  
G-8044-C15E-PC-T
- Brushed Nickel  
G-8044-C15E-BNi-T
- Polished Nickel  
G-8044-C15E-PN-T
- Olive Bronze™  
G-8044-C15E-OB-T

## Warranty

- Limited lifetime warranty

For complete warranty information go to: [www.graff-faucets.com/en/info/faqs](http://www.graff-faucets.com/en/info/faqs)

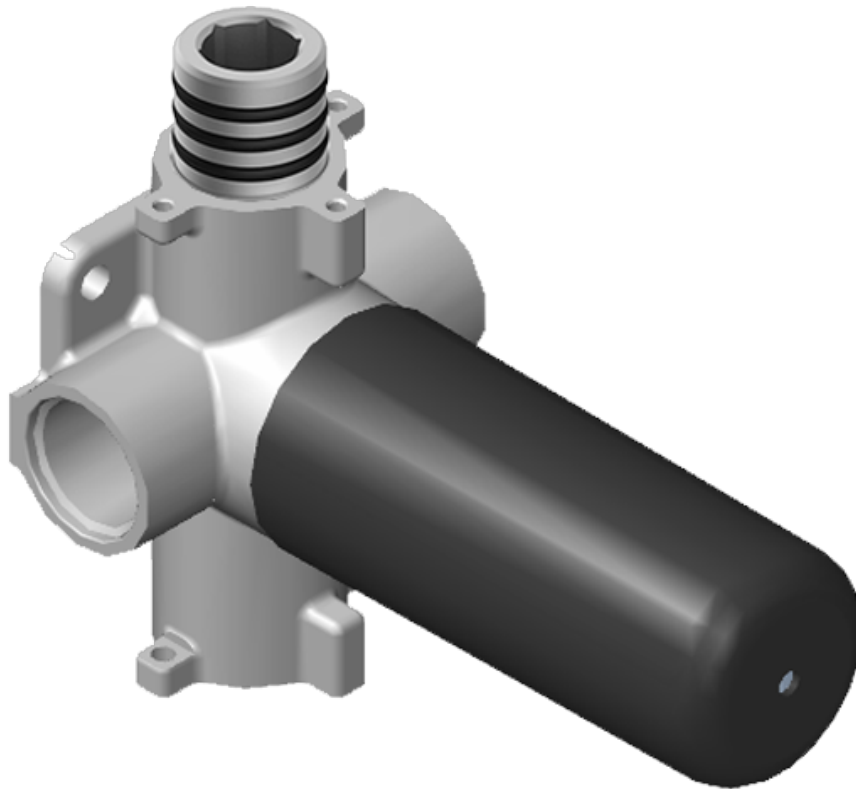


The measurements shown are for reference only. Products and specifications shown are subject to change without notice. Revised 6/2017

[www.graff-faucets.com](http://www.graff-faucets.com) | phone: 800-954-4723



SHOWER  
 Two-Way Diverter Volume Control  
 Valve WITH Off Function and Pass-  
 Through  
**G-8052**



**Information**

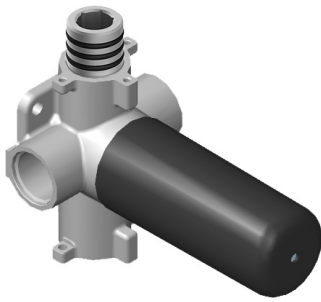
- 11.7 gpm @ 60 psi
- 3/4" universal inlets/outlets with female threads
- Operates one function at a time
- Stacking inlet and pass-through port feature
- Supplied with protective plastic cover
- CALGreen compliant depending on functions

**Finishes**



Architectural  
White

**G-8052** M-Series  
 2-Way Diverter Volume Control Valve  
 WITH Off Function and Pass-Through



**Product Features**

- 12.1 gpm @ 60 psi
- 3/4" universal inlets/outlets with female threads
- Stacking inlet and pass-through port feature
- Supplied with protective plastic cover
- CalGreen compliant dependent on functions

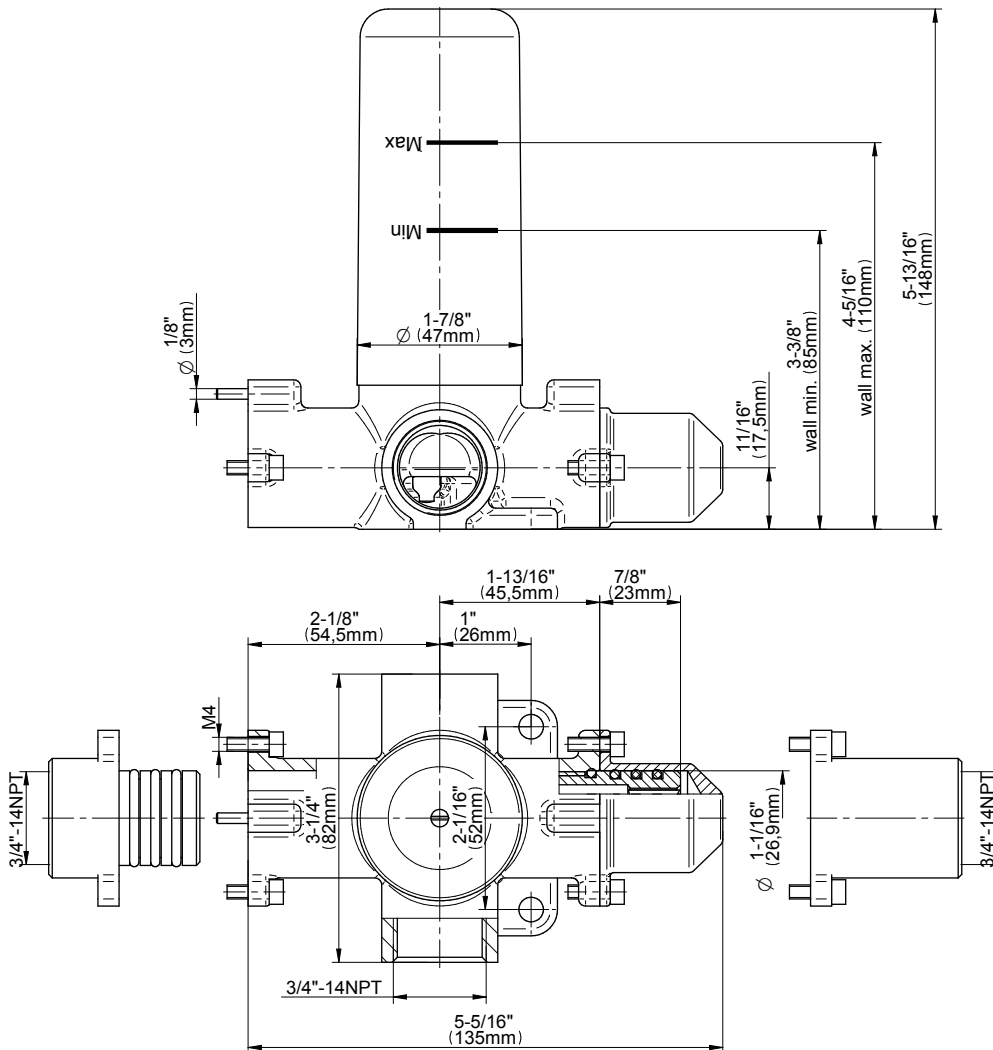
**Code Compliance**

- CALGreen

**Warranty**

- Limited lifetime warranty

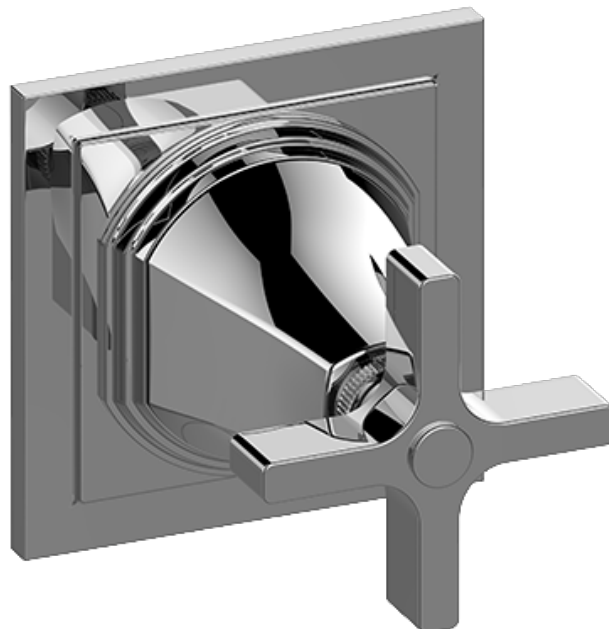
For complete warranty information go to [www.graff-faucets.com/en/info/faqs](http://www.graff-faucets.com/en/info/faqs)



The measurements shown are for reference only. Products and specifications shown are subject to change without notice. Revised 3/2016.

[www.graff-faucets.com](http://www.graff-faucets.com) | phone: 800-954-4723

SHOWER  
 Finezza UNO Two-Way Diverter  
 Valve Trim Plate and Handle  
**G-8073-C15E1-T**



**Information**

- Single metal handle
- Decorative trim plate
- Use with G-8052 2-way diverter (pass through) control rough valve WITH off function
- To complete package, you must order rough valve

**Finishes**



24K Gold



24K Brushed Gold



Brushed Brass PVD



Architectural Black™



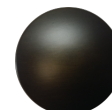
Brushed Nickel



Gunmetal



Matte Black



Olive Bronze



Onyx PVD®



Polished Brass PVD



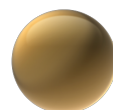
Polished Chrome



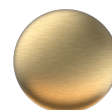
Polished Nickel



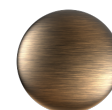
OR'osa PVD®



Unfinished Brass



Unfinished Brushed Brass



Vintage Brushed Brass



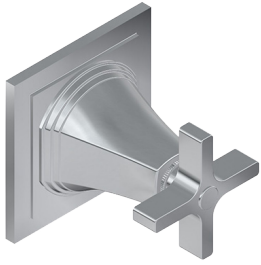
Architectural White

# G-8073-C15E1-T

Finezza UNO Collection

Two-Way Diverter Valve Trim Plate and Handle

**GRAFF**<sup>®</sup>  
CUTTING EDGE DESIGN



## Product Features

- Single metal handle
- Decorative trim plate
- Use with G-8052 2-way diverter (pass through) control rough valve WITH off function
- To complete package, you must order rough valve

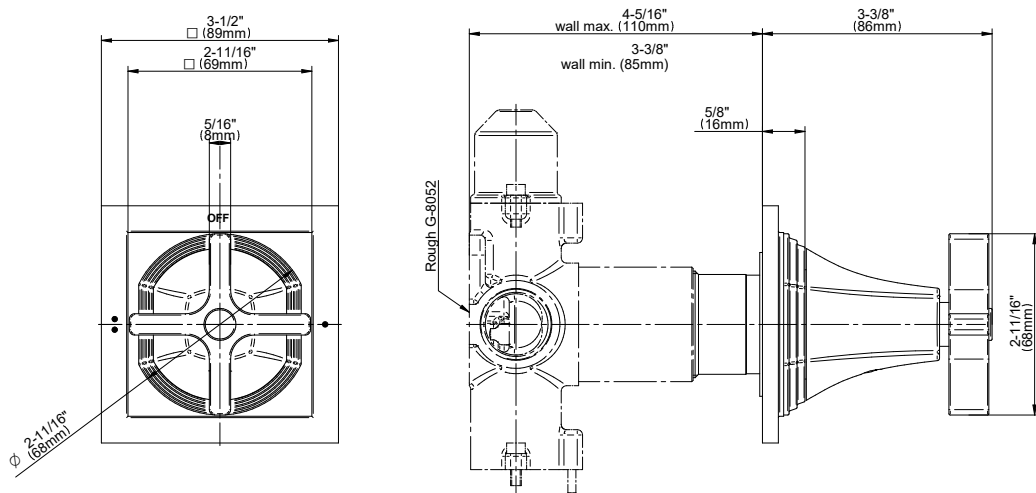
## Available Finishes

- Polished Chrome  
G-8073-C15E1-PC-T
- Brushed Nickel  
G-8073-C15E1-BNi-T
- Polished Nickel  
G-8073-C15E1-PN-T
- Olive Bronze™  
G-8073-C15E1-OB-T

## Warranty

- Limited lifetime warranty

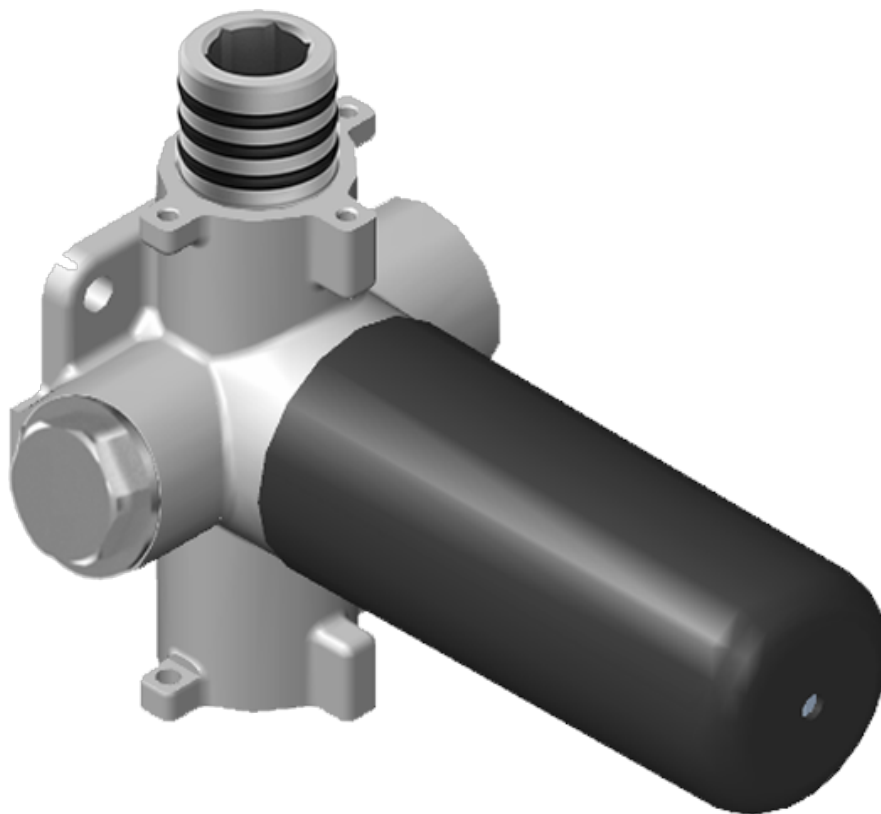
For complete warranty information go to: [www.graff-faucets.com/en/info/faqs](http://www.graff-faucets.com/en/info/faqs)



The measurements shown are for reference only. Products and specifications shown are subject to change without notice. Revised 6/2017

[www.graff-faucets.com](http://www.graff-faucets.com) | phone: 800-954-4723

SHOWER  
 Stop/Volume Control Valve with  
 Pass Through  
**G-8076**



**Information**

- 12.3 gpm @ 60 psi
- 3/4" universal inlets/outlets with female threads
- Stacking inlet and pass-through port feature
- Supplied with protective plastic cover
- CalGreen compliant dependent on functions

**Finishes**

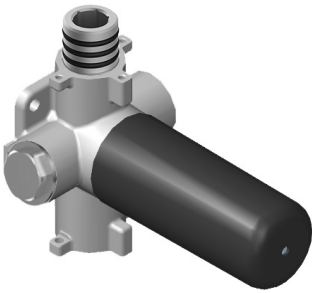
							
24K Gold	24K Brushed Gold	Brushed Brass PVD	Architectural Black™	Brushed Nickel	Gunmetal	Matte Black	Olive Bronze
							
Onyx PVD®	Polished Brass PVD	Polished Chrome	Polished Nickel	OR'osa PVD®	Unfinished Brass	Unfinished Brushed Brass	Vintage Brushed Brass
							
Architectural White							

# G-8076

M-Series

Stop/Volume Control Rough Valve with Pass-Through

**GRAFF**<sup>®</sup>  
CUTTING EDGE DESIGN



## Product Features

- 13.2 gpm @ 60 psi
- 3/4" universal inlets/outlets with female threads
- Stacking inlet and pass-through port feature
- Supplied with protective plastic cover
- CalGreen compliant dependent on functions

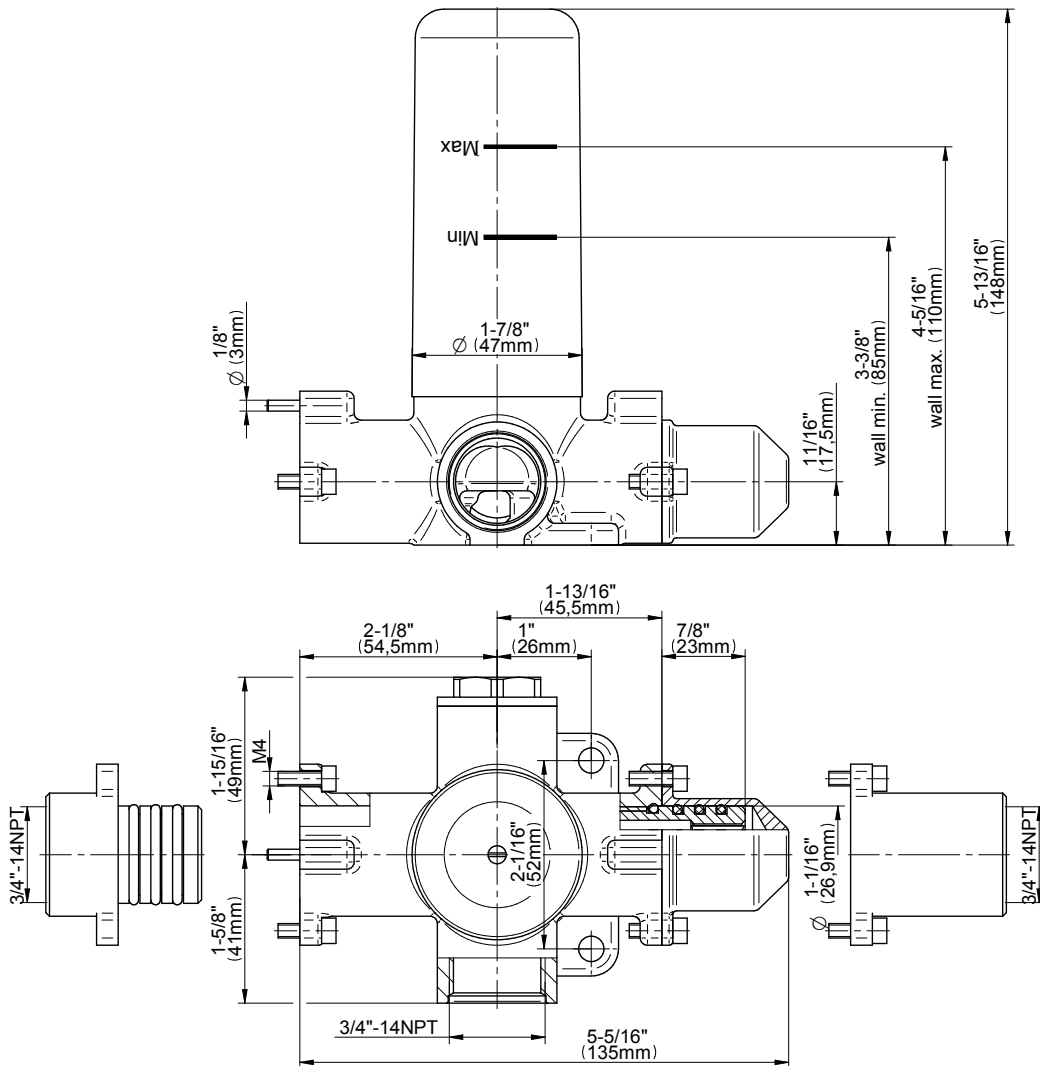
## Code Compliance

- CALGreen

## Warranty

- Limited lifetime warranty

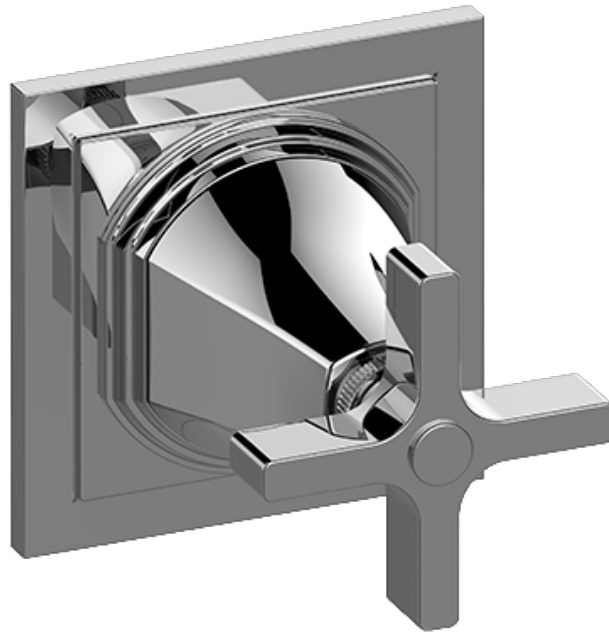
For complete warranty information go to [www.graff-faucets.com/en/info/faqs](http://www.graff-faucets.com/en/info/faqs)



The measurements shown are for reference only. Products and specifications shown are subject to change without notice. Revised 3/2016.

[www.graff-faucets.com](http://www.graff-faucets.com) | phone: 800-954-4723

SHOWER  
 Finezza UNO Stop/Volume Control  
 Trim Plate and Handle  
**G-8099-C15E1-T**



**Information**

- Single metal handle
- Decorative trim plate
- Use with G-8076 Stop/Volume Control rough valve with Pass-Through or G-8077 Stop/Volume Control rough valve
- To complete package, you must order rough valve

**Finishes**



24K Gold



24K Brushed Gold



Brushed Brass PVD



Architectural Black™



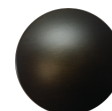
Brushed Nickel



Gunmetal



Matte Black



Olive Bronze



Onyx PVD®



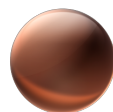
Polished Brass PVD



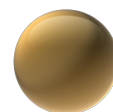
Polished Chrome



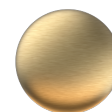
Polished Nickel



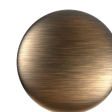
OR'osa PVD®



Unfinished Brass



Unfinished Brushed Brass



Vintage Brushed Brass



Architectural White



# G-8099-C15E1-T

Finezza UNO Collection

Stop/Volume Control Trim Plate and Handle

**GRAFF**<sup>®</sup>  
CUTTING EDGE DESIGN



## Product Features

- Single metal handle
- Decorative trim plate
- Use with G-8076 Stop/Volume Control rough valve with Pass-Through or G-8077 Stop/Volume Control rough valve
- To complete package, you must order rough valve

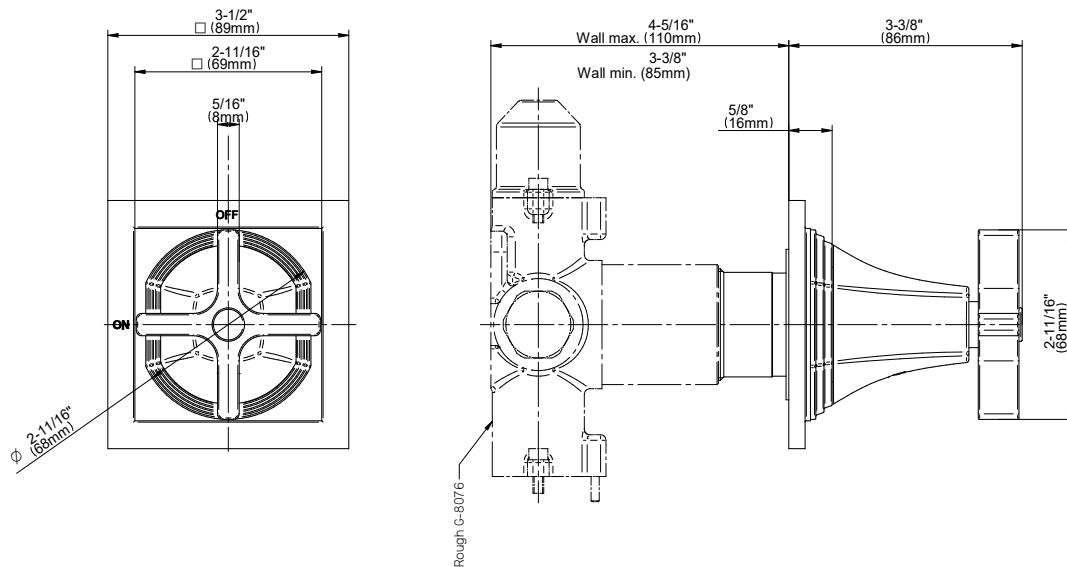
## Available Finishes

- Polished Chrome  
G-8099-C15E1-PC-T
- Brushed Nickel  
G-8099-C15E1-BNi-T
- Polished Nickel  
G-8099-C15E1-PN-T
- Olive Bronze™  
G-8099-C15E1-OB-T

## Warranty

- Limited lifetime warranty

For complete warranty information go to: [www.graff-faucets.com/en/info/faqs](http://www.graff-faucets.com/en/info/faqs)



The measurements shown are for reference only. Products and specifications shown are subject to change without notice. Revised 6/2017

[www.graff-faucets.com](http://www.graff-faucets.com) | phone: 800-954-4723



**Information**

- 126 no-clog, easy-clean rubber spray nozzles
- Recommended use with ceiling shower arm
- Recommended for use at no more than 10 degrees tilt
- Showerhead flow rate ≤ 1.8 max gpm
- CALGreen

**Finishes**



## G-8406

Finezza Collection  
9" Rain Showerhead

**GRAFF**<sup>®</sup>  
CUTTING EDGE DESIGN

### Product Features

- Sunflower shape
- 126 no-clog, easy-clean rubber spray nozzles
- Showerhead flow rate < 1.8 max gpm

### Available Finishes

- Polished Chrome  
G-8406-PC
- Brushed Nickel  
G-8406-BNi
- Polished Nickel  
G-8406-PN
- Unfinished Brass\*  
G-8406-UB\*
- Olive Bronze  
G-8406-OB\*
- Gold\*  
G-8406-AU\*
- Brushed Gold\*  
G-8406-BAU\*

\* Special order finish- call for availability

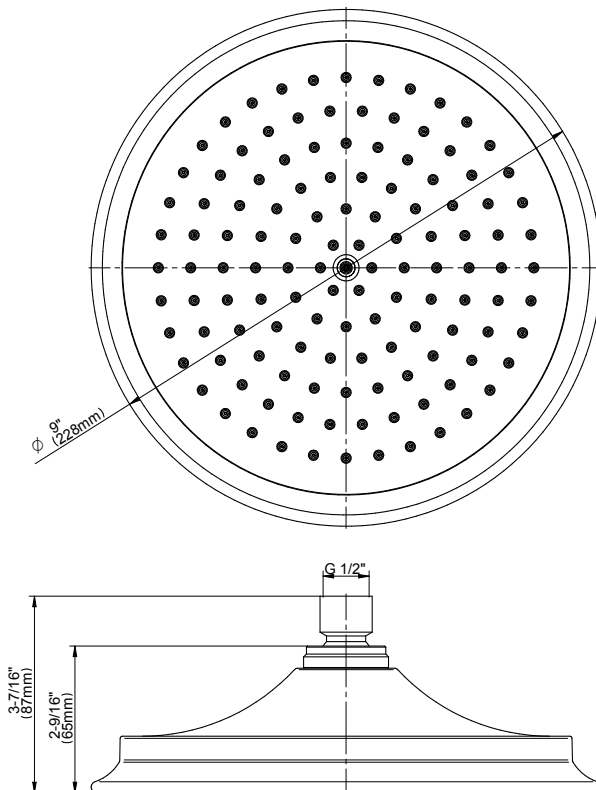
### Code Compliance

- CALGreen

### Warranty

- Limited lifetime warranty

For complete warranty information go to  
[www.graff-designs.com/en-nam/warranty](http://www.graff-designs.com/en-nam/warranty)



The measurements shown are for reference only. Products and specifications shown are subject to change without notice. Revised 12/2017

[www.graff-designs.com](http://www.graff-designs.com) | phone: 800-954-4723

SHOWER  
 Finezza 12" Shower Arm  
**G-8513**



**Information**

- Includes arm and solid flange
- 1/2" NPT male thread inlet
- For use with all showerheads (especially G-8406)

**Finishes**



## G-8513

Finezza Collection  
12" Shower Arm

**GRAFF**<sup>®</sup>  
CUTTING EDGE DESIGN



### Product Features

- Includes arm and solid flange
- 1/2" NPT male thread inlet

### Available Finishes

- Polished Chrome  
G-8513-PC
- Brushed Nickel  
G-8513-BNi
- Polished Nickel  
G-8513-PN
- Olive Bronze™  
G-8513-OB

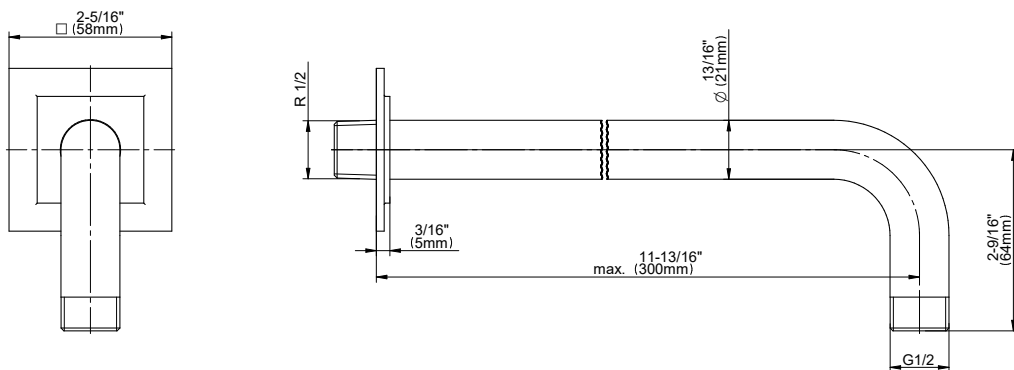
### Optional Accessories

- For use with all showerheads especially G-8406-\*\*

### Warranty

- Limited lifetime warranty

For complete warranty information go to: [www.graff-faucets.com/en/info/faqs](http://www.graff-faucets.com/en/info/faqs)



The measurements shown are for reference only. Products and specifications shown are subject to change without notice. Revised 01/2017

[www.graff-faucets.com](http://www.graff-faucets.com) | phone: 800-954-4723



**Information**

- Brass spiral flexible hose with conical nut

**Finishes**





### Product Features

- Brass spiral flexible hose with conical nut

### Warranty

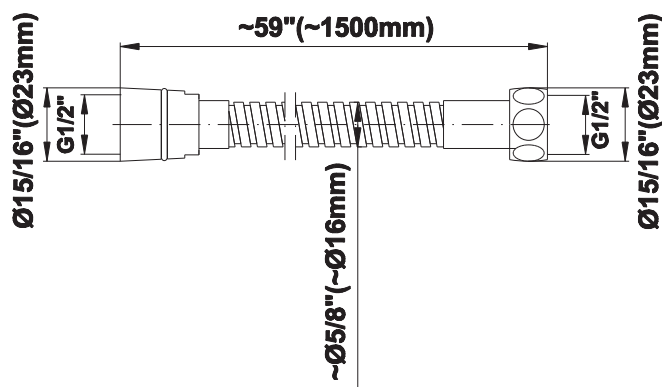
- Limited lifetime warranty

For complete warranty information go to [www.graff-designs.com/en-nam/warranty](http://www.graff-designs.com/en-nam/warranty)

### Available Finishes

- Polished Chrome  
G-8605-PC
- Polished Nickel  
G-8605-PN
- Brushed Nickel  
G-8605-BNi
- Unfinished Brushed Brass\*  
G-8605-UBB\*
- Unfinished Brass\*  
G-8605-UB\*
- Matte Black\*  
G-8605-MBK\*
- Architectural Black\*  
G-8605-BK\*
- Architectural White\*  
G-8605-WT\*
- Olive Brass\*  
G-8605-OB\*
- Gunmetal\*  
G-8605-GM\*
- Vintage Brushed Brass\*  
G-8605-VBB\*
- Steelnox (Satin Nickel)  
G-8605-SN
- 24K Brushed Gold\*  
G-8605-BAU\*
- 24K Gold\*  
G-8605-AU\*
- Gunmetal Distressed\*  
G-8605-GMD\*

\* Special order finish- call for availability





## Information

- 1/2" NPT male thread inlet

## Finishes



24K Gold



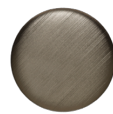
24K Brushed Gold



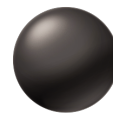
Brushed Brass PVD



Architectural Black™



Brushed Nickel



Gunmetal



Matte Black



Olive Bronze



Onyx PVD®



Polished Brass PVD



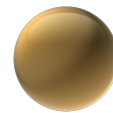
Polished Chrome



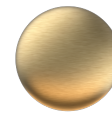
Polished Nickel



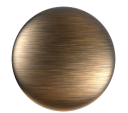
OR'osa PVD®



Unfinished Brass



Unfinished Brushed Brass



Vintage Brushed Brass



Architectural White



## G-8643

Finezza UNO Wall Supply Elbow  
Pressure Balancing Valve Trim with Handle

# GRAFF®



### Product Features

- 1/2" NPT male thread inlet

### Available Finishes

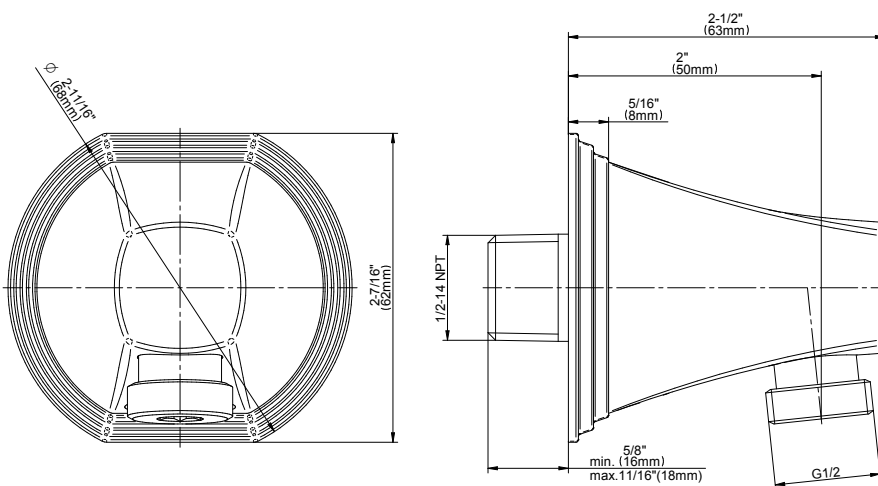
- Polished Chrome  
G-8643-PC
- Brushed Nickel  
G-8643-BNi
- Polished Nickel  
G-8643-PN
- Olive Bronze  
G-8643-OB
- Unfinished Brass\*  
G-8643-UB\*
- Gold\*  
G-8643-AU\*
- Brushed Gold\*  
G-8643-BAU\*

\* Special order finish- call for availability

### Warranty

- Limited lifetime warranty

For complete warranty information go to  
<https://www.graff-faucets.com/en/info/faqs>



The measurements shown are for reference only. Products and specifications shown are subject to change without notice. Revised 5/2018.

[www.graff-designs.com](http://www.graff-designs.com) | phone: 800-954-4723

SHOWER  
Finezza UNO Wall Bracket for  
Handshower  
**G-8652**

**GRAFF®**



**Information**

- Solid brass construction

**Finishes**



24K Gold



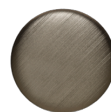
24K Brushed  
Gold



Brushed Brass  
PVD



Architectural  
Black™



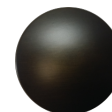
Brushed  
Nickel



Gunmetal



Matte Black



Olive Bronze



Onyx PVD®



Polished Brass  
PVD



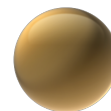
Polished  
Chrome



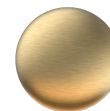
Polished  
Nickel



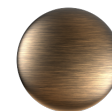
OR'osa PVD®



Unfinished  
Brass



Unfinished  
Brushed Brass



Vintage  
Brushed Brass



Architectural  
White

# G-8652

Finezza UNO Collection

Finezza UNO Wall Bracket for Handshower

# GRAFF®



## Product Features

- Solid brass construction

## Available Finishes

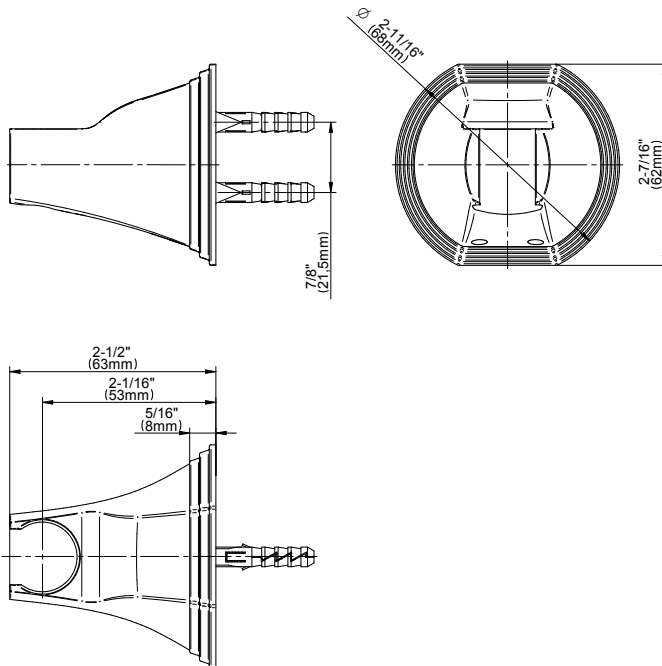
- Polished Chrome  
G-8652-PC
- Brushed Nickel  
G-8652-BNi
- Polished Nickel  
G-8652-PN
- Olive Bronze  
G-8652-OB
- Unfinished Brass\*  
G-8652-UB\*
- Gold\*  
G-8652-AU\*
- Brushed Gold\*  
G-8652-BAU\*

\* Special order finish- call for availability

## Warranty

- Limited lifetime warranty

For complete warranty information go to <https://www.graff-faucets.com/en/info/faqs>



The measurements shown are for reference only. Products and specifications shown are subject to change without notice. Revised 5/2018.

[www.graff-designs.com](http://www.graff-designs.com) | phone: 800-954-4723



**Information**

- Solid brass construction
- All-metal handle
- Shower hose not included
- Includes internal backflow preventer
- Handshower flow rate ≤ 1.8 max gpm
- CALGreen

**Finishes**



## G-8724

Finezza Collection  
Finezza Handshower

# GRAFF®



### Product Features

- Solid brass construction
- Smooth, all-metal handle
- Shower hose not included
- Handshower flow rate  $\leq 1.5$  max gpm
- Includes internal backflow preventer

### Available Finishes

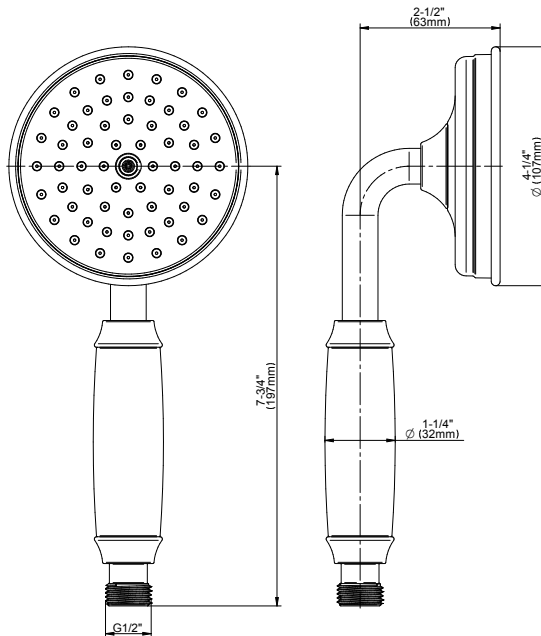
- Polished Chrome  
G-8724-PC
- Brushed Nickel  
G-8724-BNi
- Polished Nickel  
G-8724-PN
- Olive Bronze  
G-8724-OB
- Unfinished Brass\*  
G-8724-UB\*
- Gold\*  
G-8724-AU\*
- Brushed Gold\*  
G-8724-BAU\*

\* Special order finish- call for availability

### Warranty

- Limited lifetime warranty

For complete warranty information go to <https://www.graff-faucets.com/en/info/faqs>



The measurements shown are for reference only. Products and specifications shown are subject to change without notice. Revised 5/2018.

[www.graff-designs.com](http://www.graff-designs.com) | phone: 800-954-4723