

SHOWER  
M-Series Full Thermostatic  
Shower System  
**GM3.128WH-LM38E0**

---

**GRAFF**<sup>®</sup>

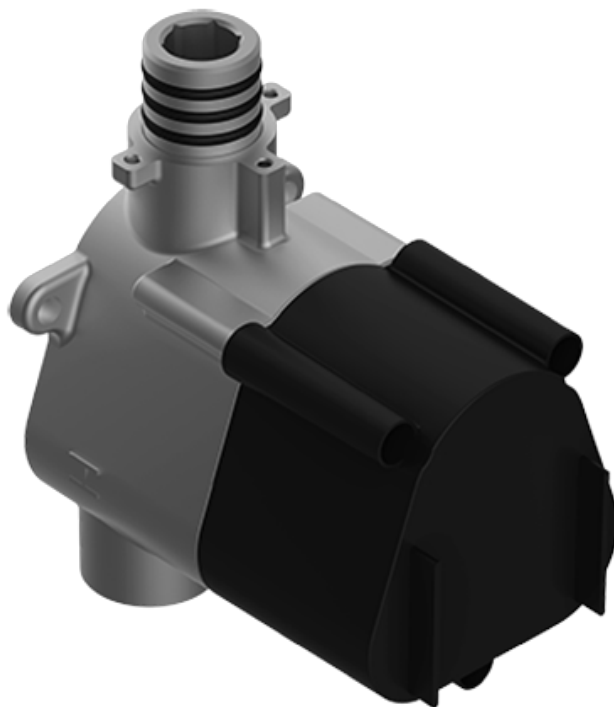


## Information

- 3/4" thermostatic valve and trim
- 3/4" stop/volume control valve and 2-way diverter valve
- Showerhead features no-clog, easy-clean spray nozzles
- Flush-mounted swivel body sprays (3 pieces)
- Handshower set with wall bracket and 59" hose
- Optional extension kit
- Flow rates: showerhead  $\leq 1.8$  max gpm, handshower  $\leq 1.5$  max gpm, body sprays  $\leq 1.5$  max gpm each
- ADA

SHOWER  
Thermostatic Rough Valve  
**G-8006**

**GRAFF®**



## Information

- 12.9 gpm @ 60 psi
- 3/4" universal inlets
- Built-in service stops
- Stacking outlet feature
- Complete serviceability from front of all units
- Supplied with protective plastic cover
- CalGreen compliant dependent on functions

## Finishes



Polished  
Chrome



Steelnox®  
(Satin Nickel)

# G-8006

M-Series

3/4" Concealed Thermostatic Rough Valve



## Product Features

- 12.9 gpm @ 60 psi
- 3/4" universal inlets
- Built-in service stops
- Stacking outlet feature
- Complete serviceability from front of all units
- Supplied with protective plastic cover
- CalGreen compliant dependent on functions

## Code Compliance

- CALGreen

## Warranty

- Limited lifetime warranty

For complete warranty information go to [www.graff-faucets.com/en/info/faqs](http://www.graff-faucets.com/en/info/faqs)



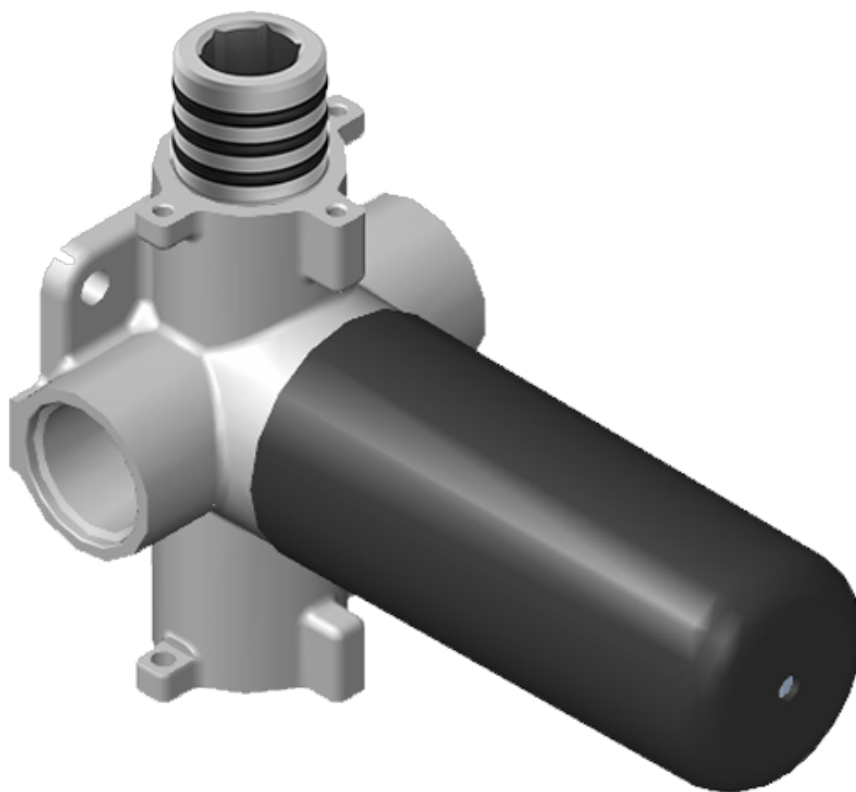
The measurements shown are for reference only. Products and specifications shown are subject to change without notice. Revised 3/2016.

[www.graff-faucets.com](http://www.graff-faucets.com) | phone: 800-954-4723

SHOWER  
Two-Way Diverter Volume Control  
Valve WITH Off Function and Pass-  
Through  
**G-8052**

---

**GRAFF®**



### Information

- 11.7 gpm @ 60 psi
- 3/4" universal inlets/outlets with female threads
- Operates one function at a time
- Stacking inlet and pass-through port feature
- Supplied with protective plastic cover
- CALGreen compliant depending on functions

### Finishes

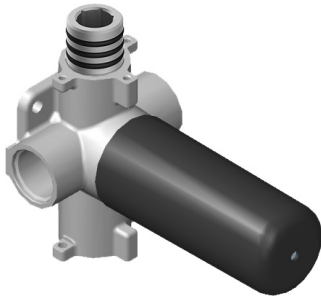


Polished  
Chrome



Steelnox®  
(Satin Nickel)

**G-8052** M-Series  
 2-Way Diverter Volume Control Valve  
 WITH Off Function and Pass-Through



**Product Features**

- 12.1 gpm @ 60 psi
- 3/4" universal inlets/outlets with female threads
- Stacking inlet and pass-through port feature
- Supplied with protective plastic cover
- CalGreen compliant dependent on functions

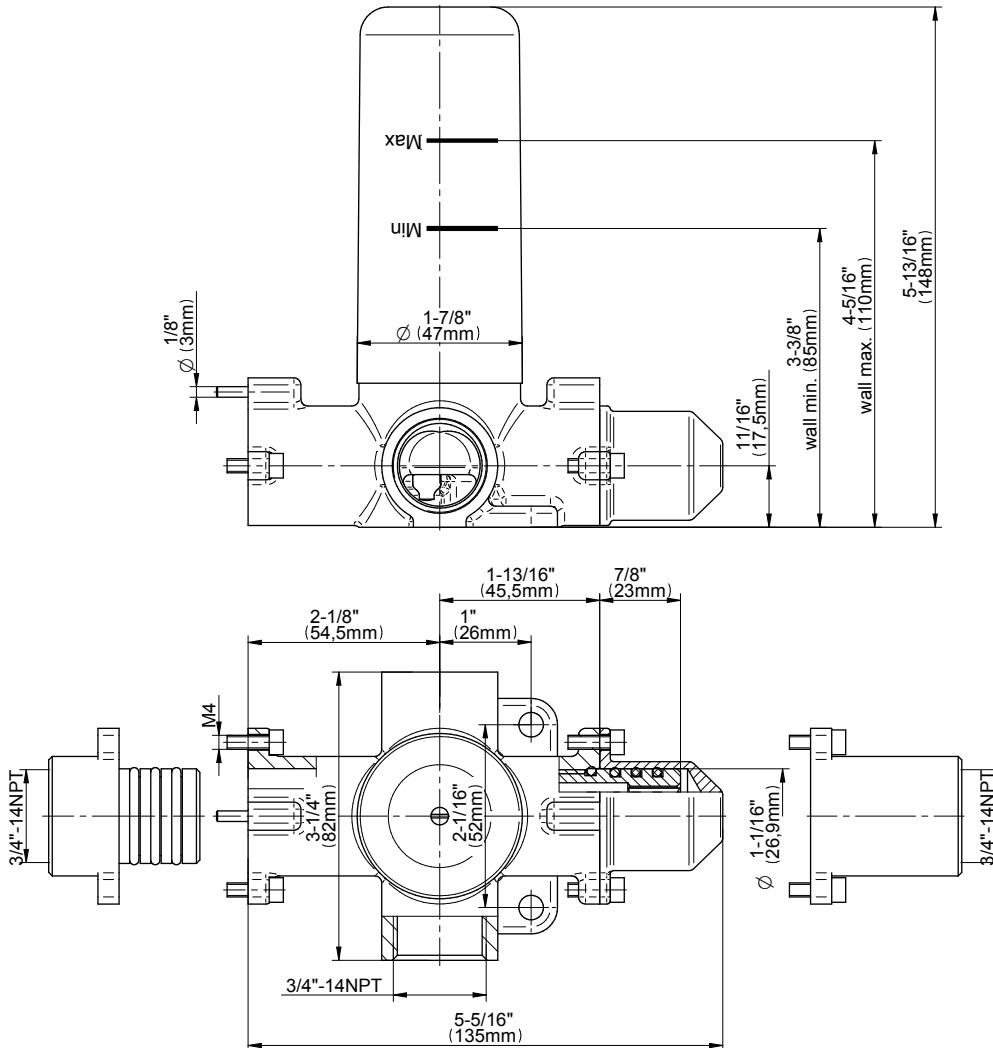
**Code Compliance**

- CALGreen

**Warranty**

- Limited lifetime warranty

For complete warranty information go to [www.graff-faucets.com/en/info/faqs](http://www.graff-faucets.com/en/info/faqs)



The measurements shown are for reference only. Products and specifications shown are subject to change without notice. Revised 3/2016.

[www.graff-faucets.com](http://www.graff-faucets.com) | phone: 800-954-4723

SHOWER  
Qubic M-Series Valve Trim with  
Three Handles  
**G-8057-LM38E0-T**

---

**GRAFF**<sup>®</sup>



## Information

- Three metal handles, decorative trim plate
- Use with M-Series rough valves
- ADA

## Finishes



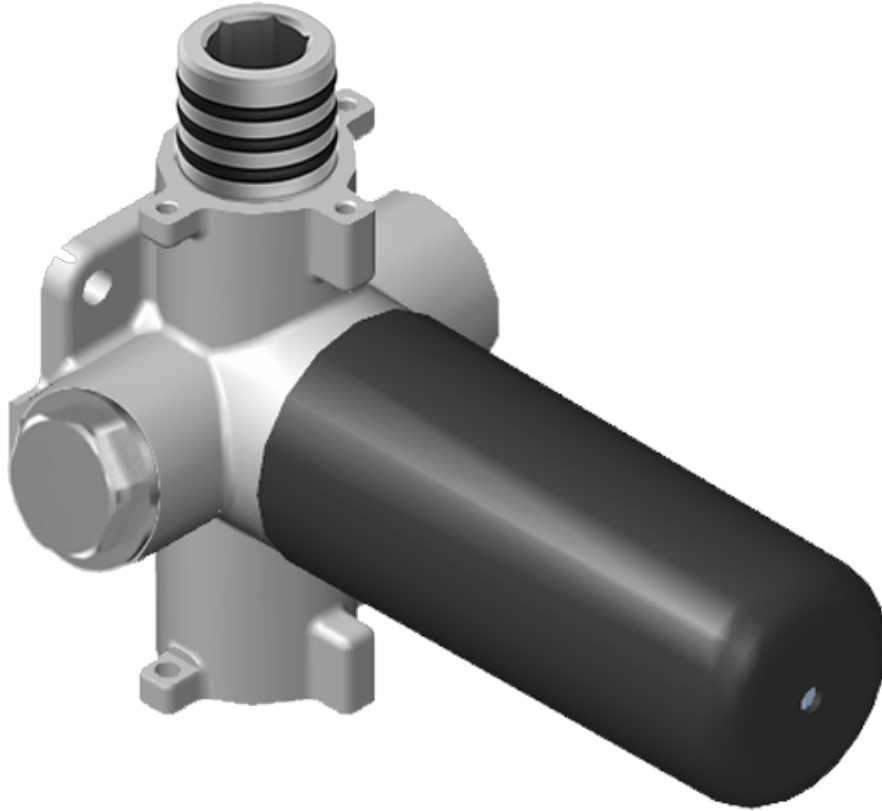
Polished  
Chrome



Steelnox<sup>®</sup>  
(Satin Nickel)

SHOWER  
Stop/Volume Control Valve with  
Pass Through  
**G-8076**

**GRAFF®**



**Information**

- 12.3 gpm @ 60 psi
- 3/4" universal inlets/outlets with female threads
- Stacking inlet and pass-through port feature
- Supplied with protective plastic cover
- CalGreen compliant dependent on functions

**Finishes**



Polished  
Chrome



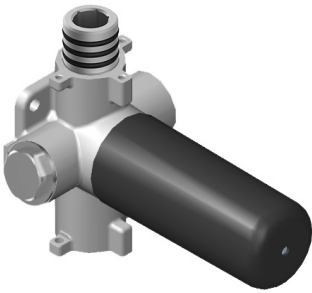
Steelnox®  
(Satin Nickel)

# G-8076

M-Series

Stop/Volume Control Rough Valve with Pass-Through

**GRAFF**<sup>®</sup>  
CUTTING EDGE DESIGN



## Product Features

- 13.2 gpm @ 60 psi
- 3/4" universal inlets/outlets with female threads
- Stacking inlet and pass-through port feature
- Supplied with protective plastic cover
- CalGreen compliant dependent on functions

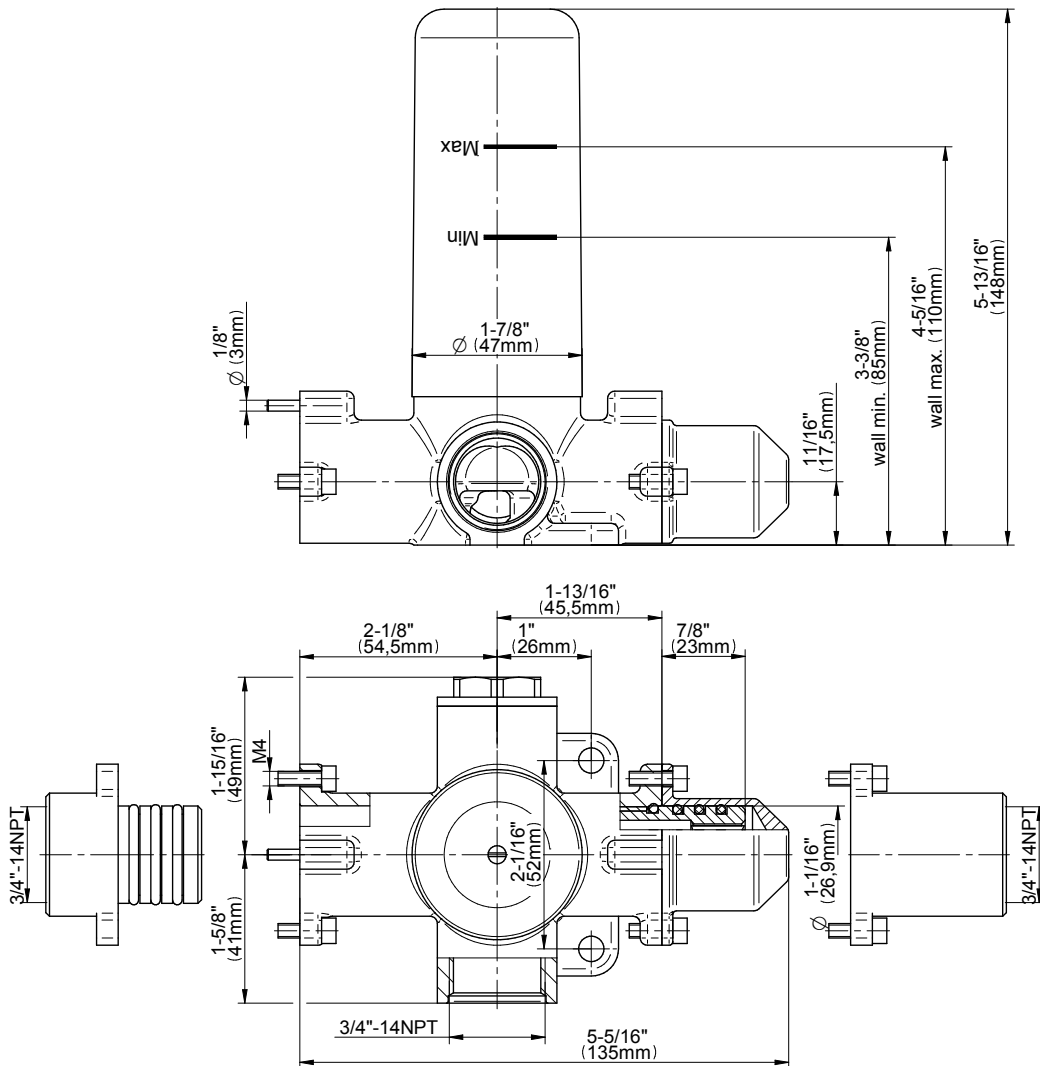
## Code Compliance

- CALGreen

## Warranty

- Limited lifetime warranty

For complete warranty information go to [www.graff-faucets.com/en/info/faqs](http://www.graff-faucets.com/en/info/faqs)



The measurements shown are for reference only. Products and specifications shown are subject to change without notice. Revised 3/2016.

[www.graff-faucets.com](http://www.graff-faucets.com) | phone: 800-954-4723



SHOWER  
Square Flush Mount Body Spray  
w/ Solid Brass Swivel Head  
**G-8497**

---

**GRAFF**<sup>®</sup>



### Information

- 12 no-clog, easy-clean silicon jets
- Metal ball-joint allows for 18° angle adjustment of body spray
- Brass wall escutcheon and flush-mounted trim
- 1/2" NPT female thread inlet
- Body spray flow rate  $\leq$  1.5 max gpm

### Finishes



Polished  
Chrome



Steelnox<sup>®</sup>  
(Satin Nickel)

# G-8497

## Shower Components

### Contemporary Flush-Mount Body Spray with Solid Brass Swivel Head



#### Product Features

- 12 no-clog, easy-clean silicone jets
- Metal ball-joint allows for 18° angle adjustment of body spray
- Brass wall escutcheon and Flush-mounted trim
- 1/2" NPT female thread inlet
- Body spray flow rate ≤ 1.5 max gpm

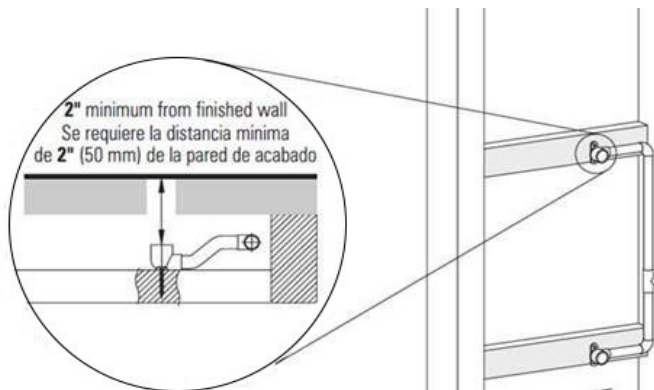
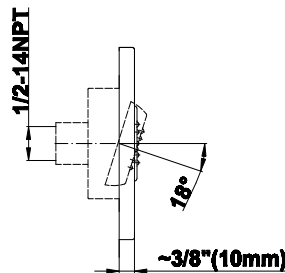
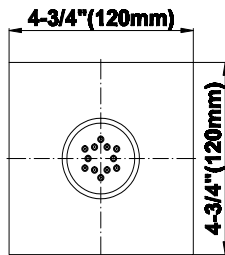
#### Warranty

- Limited lifetime warranty

For complete warranty information go to [www.graff-designs.com/en-nam/warranty](http://www.graff-designs.com/en-nam/warranty)

#### Available Finishes

- Polished Chrome  
G-8497-PC
- Polished Nickel  
G-8497-PN
- Brushed Nickel  
G-8497-BNi
- Matte Black\*  
G-8497-MBK\*
- Architectural Black\*  
G-8497-BK\*
- Architectural White\*  
G-8497-WT\*
- Olive Brass  
G-8497-OB
- Gunmetal\*  
G-8497-GM\*
- Steelnox  
G-8497-SN
- OR'osa PVD\*  
G-8497-RG\*
- Onyx PVD\*  
G-8497-OX\*
- Polished Brass PVD\*  
G-8497-PB\*
- Brushed Brass PVD\*  
G-8497-BB\*
- Brushed Gold\*  
G-8497-BAU\*
- Gold\*  
G-8497-AU\*
- Gunmetal Distressed\*  
G-8497-GMD\*



SHOWER  
59" Shower Hose  
**G-8605**

**GRAFF®**

---



## Information

- Brass spiral flexible hose with conical nut

## Finishes



Polished  
Chrome



Steelnox®  
(Satin Nickel)

### Product Features

- Brass spiral flexible hose with conical nut



### Warranty

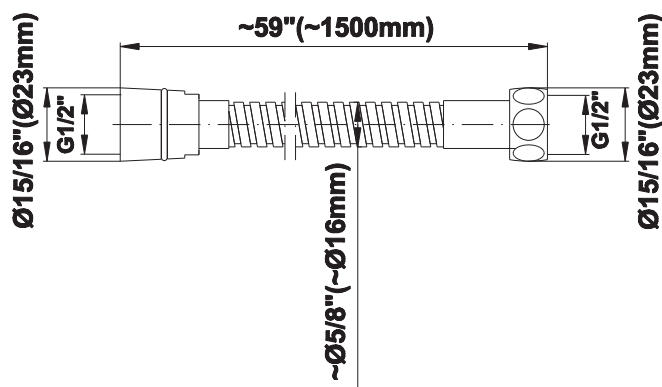
- Limited lifetime warranty

For complete warranty information go to [www.graff-designs.com/en-nam/warranty](http://www.graff-designs.com/en-nam/warranty)

### Available Finishes

- Polished Chrome  
G-8605-PC
- Polished Nickel  
G-8605-PN
- Brushed Nickel  
G-8605-BNi
- Unfinished Brushed Brass\*  
G-8605-UBB\*
- Unfinished Brass\*  
G-8605-UB\*
- Matte Black\*  
G-8605-MBK\*
- Architectural Black\*  
G-8605-BK\*
- Architectural White\*  
G-8605-WT\*
- Olive Brass\*  
G-8605-OB\*
- Gunmetal\*  
G-8605-GM\*
- Vintage Brushed Brass\*  
G-8605-VBB\*
- Steelnox (Satin Nickel)  
G-8605-SN
- 24K Brushed Gold\*  
G-8605-BAU\*
- 24K Gold\*  
G-8605-AU\*
- Gunmetal Distressed\*  
G-8605-GMD\*

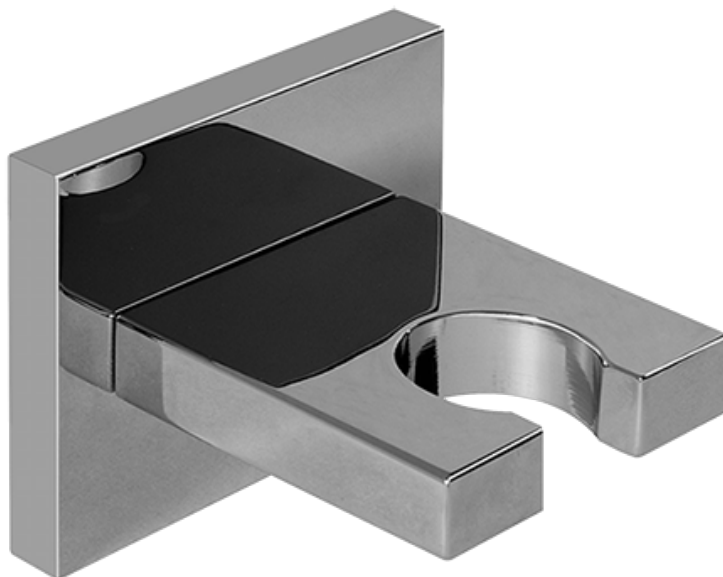
\* Special order finish- call for availability



SHOWER  
Contemporary Square Wall  
Bracket for Handshower  
**G-8632**

---

**GRAFF®**



### Information

- Solid brass construction

### Finishes



Polished  
Chrome



Steelnox®  
(Satin Nickel)

## G-8632

### Contemporary Square Wall Bracket for Handshower



#### Product Features

- Solid brass construction

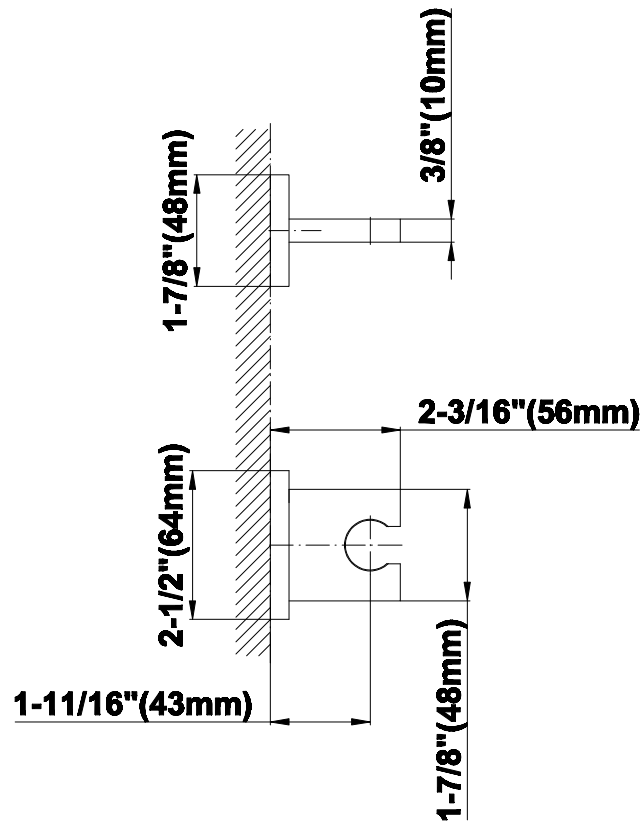
#### Available Finishes

- Polished Chrome  
G-8632-PC
- Steelnox<sup>®</sup>  
G-8632-SN

#### Warranty

- Limited lifetime warranty

For complete warranty information go to  
<http://www.graff-faucets.com/en/info/faqs>



The measurements shown are for reference only. Products and specifications shown are subject to change without notice. Revised 02/2017.

[www.graff-faucets.com](http://www.graff-faucets.com) | phone: 800-954-4723

SHOWER  
Contemporary Square Wall Supply  
Elbow  
**G-8633**

---

**GRAFF**<sup>®</sup>



**Information**

- 1/2" NPT female thread inlet

**Finishes**



Polished  
Chrome



Steelnox<sup>®</sup>  
(Satin Nickel)

## G-8633

### Contemporary Square Wall Supply Elbow



#### Product Features

- 1/2" NPT female thread inlet

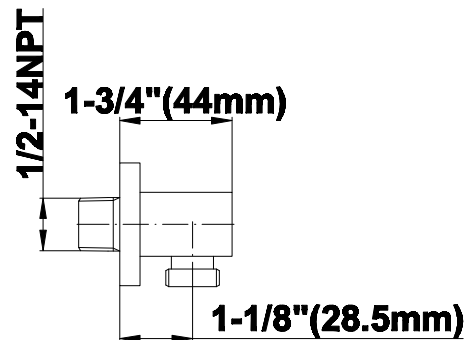
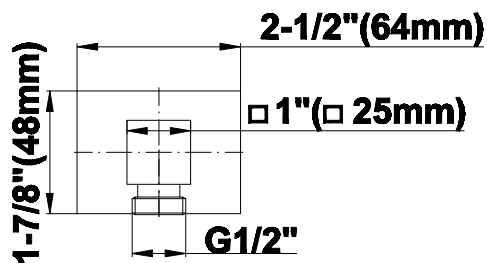
#### Available Finishes

- Polished Chrome  
G-8633-PC
- Steelnox<sup>®</sup>  
G-8633-SN
- Architectural Black w/Chrome  
Accents  
G-8633-PC/BK

#### Warranty

- Limited lifetime warranty

For complete warranty information go to  
<http://www.graff-faucets.com/en/info/faqs>





SHOWER  
Contemporary Rectangle  
Handshower  
**G-8654**

---

**GRAFF®**



### Information

- Smooth, all-metal handle
- Shower hose not included
- Handshower flow rate  $\leq 1.5$  max gpm
- Includes internal backflow preventer
- CALGreen

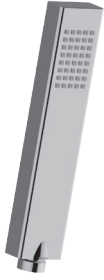
### Finishes



Polished  
Chrome



Steelnox®  
(Satin Nickel)



**Product Features**

- Smooth, all-metal handle
- Shower hose not included
- Includes internal backflow preventer
- Handshower flow rate  $\leq 1.5$  max gpm

**Warranty**

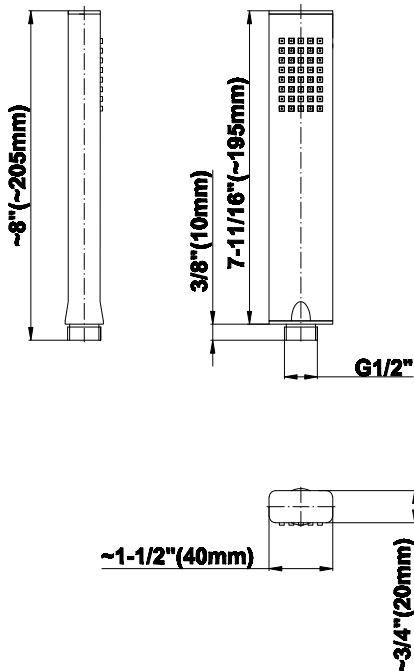
- Limited lifetime warranty

For complete warranty information go to  
<https://www.graff-designs.com/en/info/faqs>

**Available Finishes**

- Polished Chrome  
G-8654-PC
- Polished Nickel  
G-8654-PN
- Brushed Nickel  
G-8654-BNi
- Matte Black\*  
G-8654-MBK\*
- Architectural Black\*  
G-8654-BK\*
- Architectural White\*  
G-8654-WT\*
- Steelnox (Satin Nickel)  
G-8654-SN
- Olive Bronze\*  
G-8654-OB\*
- Gunmetal\*  
G-8654-GM\*
- OR'osa PVD\*  
G-8654-RG\*
- Brushed OR'osa PVD\*  
G-8654-BRG\*
- Onyx PVD\*  
G-8654-OX\*
- Brushed Onyx PVD\*  
G-8654-BOX\*
- 24K Brushed Gold\*  
G-8654-BAU\*
- 24K Gold\*  
G-8654-AU\*

\* Special order finish- call for availability



SHOWER  
Spout and Wall Bracket  
**G-8700-T**

---

**GRAFF®**



**Finishes**



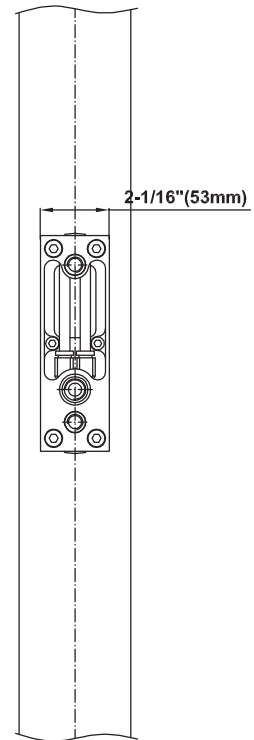
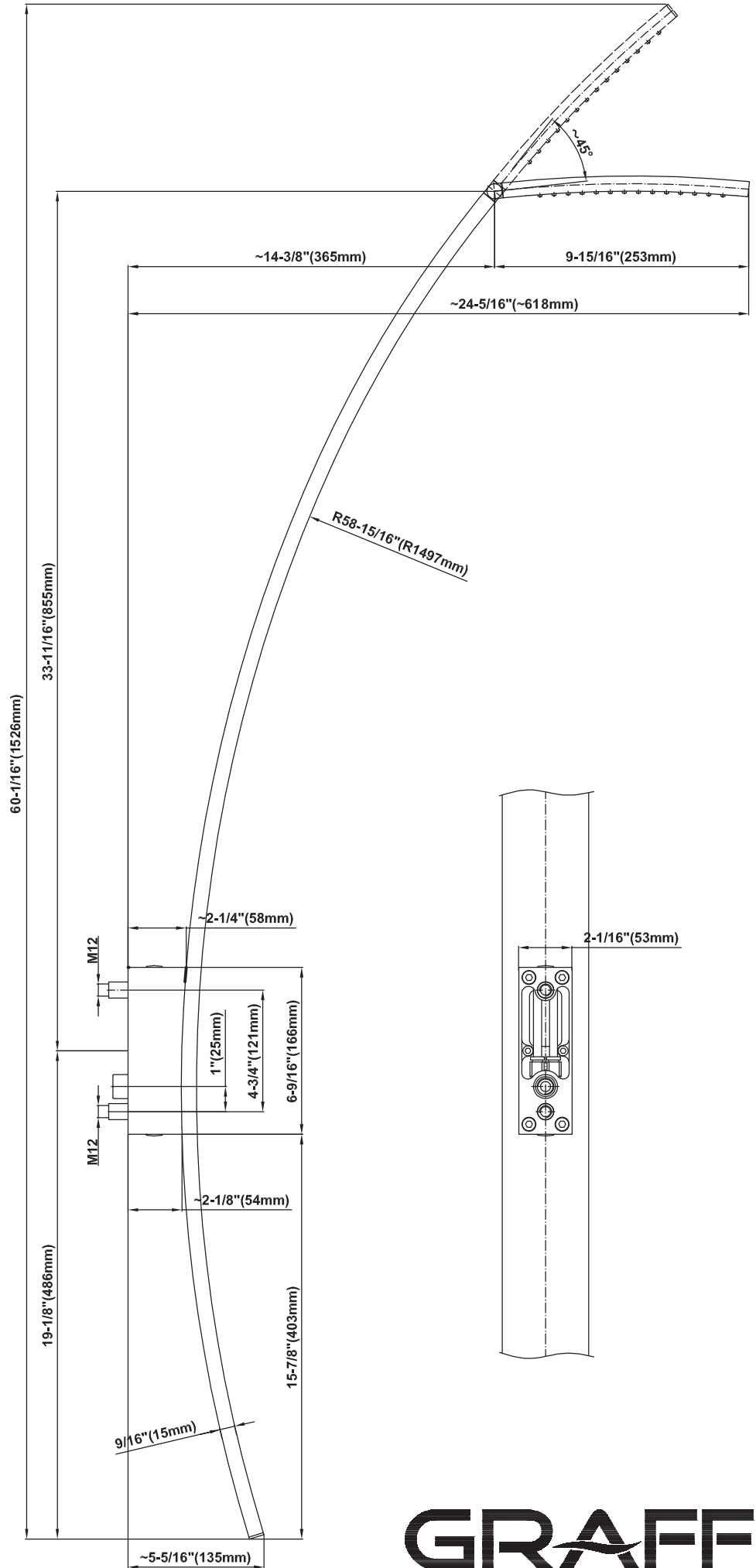
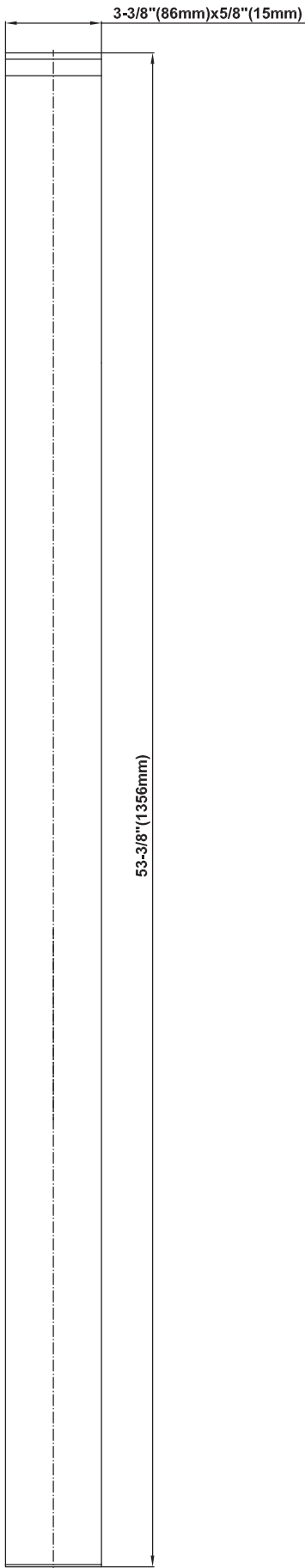
Polished  
Chrome



Steelnox®  
(Satin Nickel)

# G-8700

## LUNA Series



SHOWER  
Rough  
**G-8705**

**GRAFF®**

---



**Finishes**



Polished  
Chrome



Steelnox®  
(Satin Nickel)

# G-8705

