

SHOWER
Terra M-Series Thermostatic
Shower System - Tub and Shower
with Handshower
GL3.F12ST-C17E0

GRAFF®

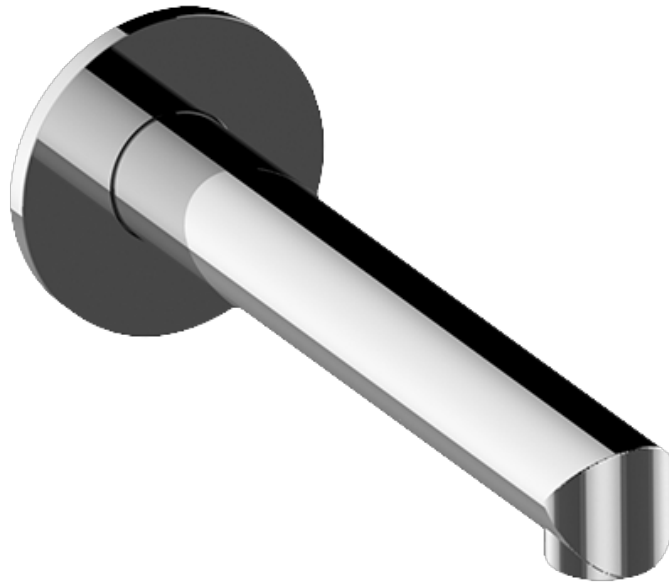


Information

- 3/4" thermostatic valve and trim
- 3/4" stop/volume control valve and 3-way diverter valve and trims
- 8" showerhead with 12" wall-mounted shower arm
- Showerhead features no-clog, easy-clean spray nozzles
- Handshower set with wall-mounted slide bar and 59" hose (PVD finishes use 59" flex hose)
- 8" matching Terra collection tub spout
- Optional extension kit
- Flow rates: showerhead ≤ 1.8 max gpm, handshower ≤ 1.5 max gpm
- ADA
- CALGreen

SHOWER
8" Contemporary Terra Tub Spout
G-6765

GRAFF®

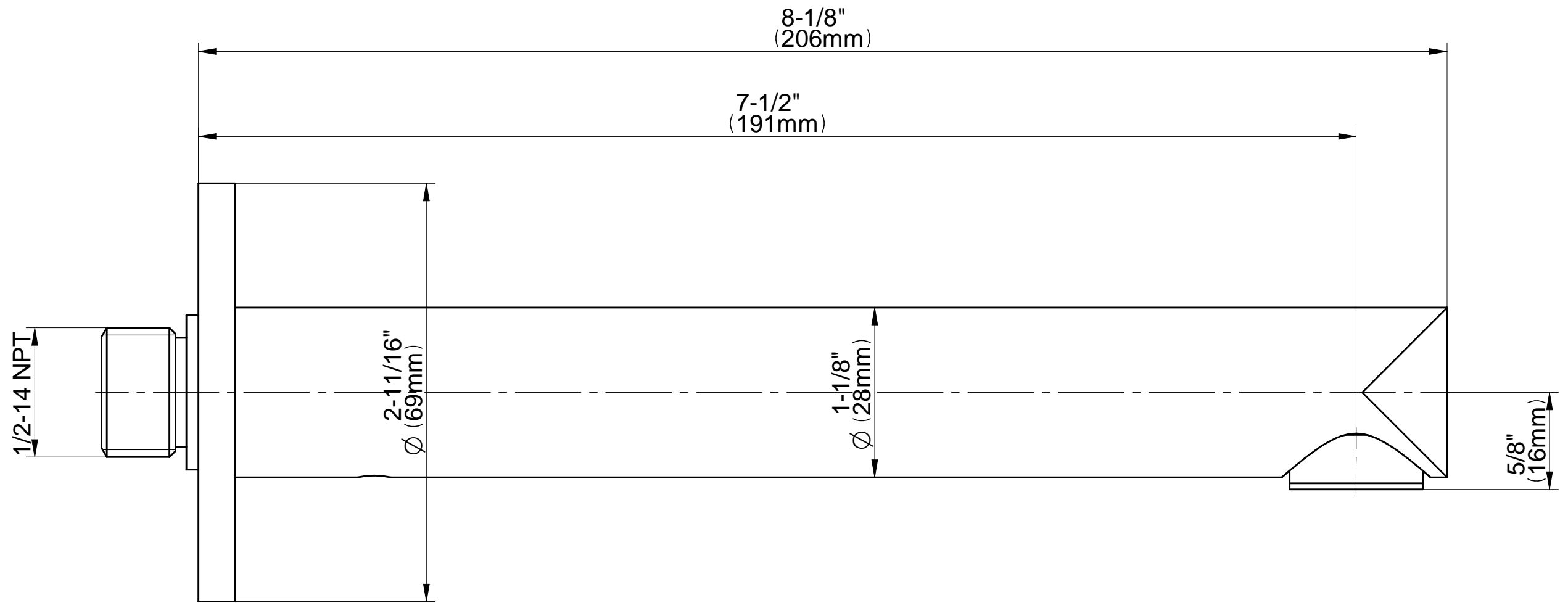


Information

- Includes spout ring
- 1/2" NPT male thread inlet
- Tub spout flow rate ~ 13.9 gpm @60 psi
- Matches Terra Collection

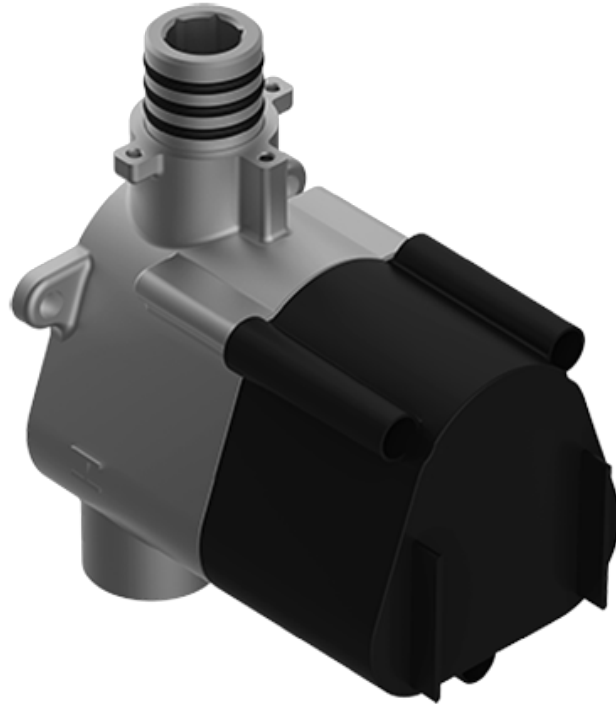
Finishes





SHOWER
Thermostatic Rough Valve
G-8006

GRAFF®



Information

- 12.9 gpm @ 60 psi
- 3/4" universal inlets
- Built-in service stops
- Stacking outlet feature
- Complete serviceability from front of all units
- Supplied with protective plastic cover
- CalGreen compliant dependent on functions

Finishes



G-8006

M-Series

3/4" Concealed Thermostatic Rough Valve



Product Features

- 12.9 gpm @ 60 psi
- 3/4" universal inlets
- Built-in service stops
- Stacking outlet feature
- Complete serviceability from front of all units
- Supplied with protective plastic cover
- CalGreen compliant dependent on functions

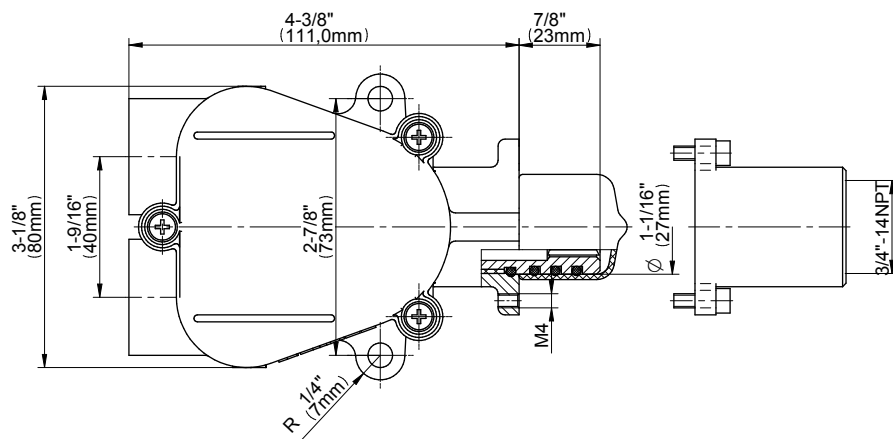
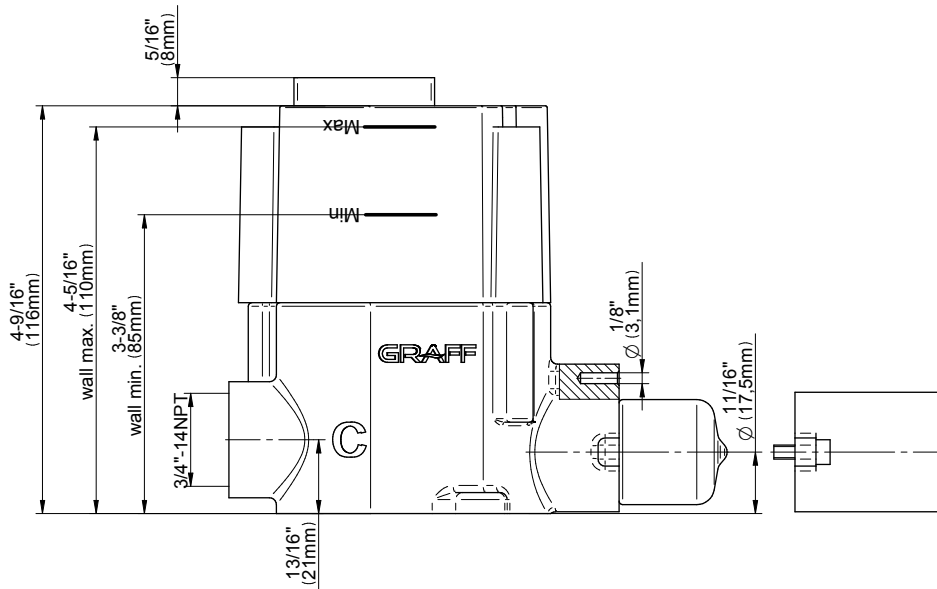
Code Compliance

- CALGreen

Warranty

- Limited lifetime warranty

For complete warranty information go to www.graff-faucets.com/en/info/faqs

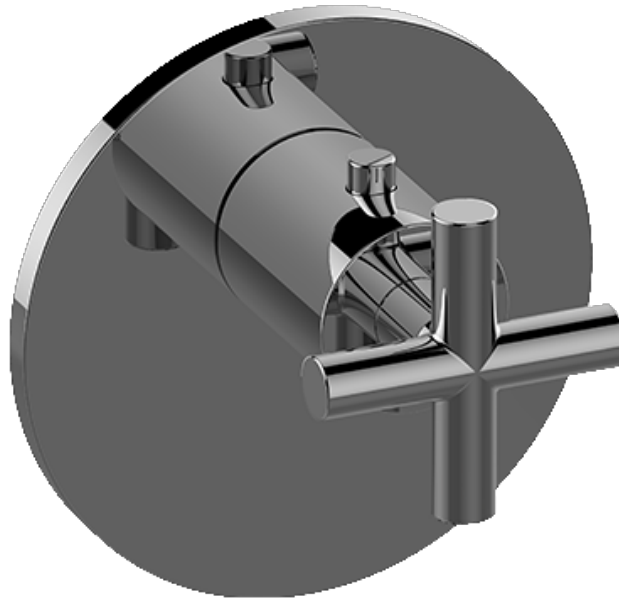


The measurements shown are for reference only. Products and specifications shown are subject to change without notice. Revised 3/2016.

www.graff-faucets.com | phone: 800-954-4723

SHOWER
M.E. M-Series Thermostatic Valve
Trim with Handle
G-8037-C17E-T

GRAFF®



Information

- Single metal handle
- Decorative trim plate
- Use with G-8006 Thermostatic Rough Valve
- ADA

Finishes

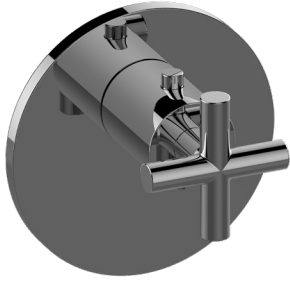


G-8037-C17E-T

Terra Collection

M-Series Thermostatic Valve Trim with Handle

GRAFF®



Product Features

- Single metal handle and decorative trim plate
- Use with G-8006 thermostatic rough valve

Available Finishes

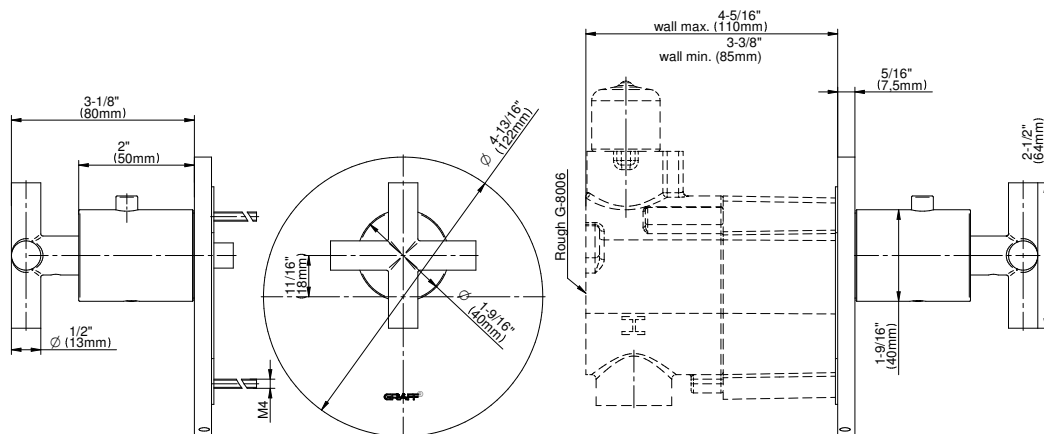
- Polished Chrome
G-8037-C17E-PC-T
- Brushed Nickel
G-8037-C17E-BNi-T
- Polished Nickel
G-8037-C17E-PN-T
- Olive Bronze*
G-8037-C17E-OB-T*
- Unfinished Brass*
G-8037-C17E-UB-T*

* Special order finish- call for availability

Warranty

- Limited lifetime warranty

For complete warranty information go to <https://www.graff-faucets.com/en/info/faqs>

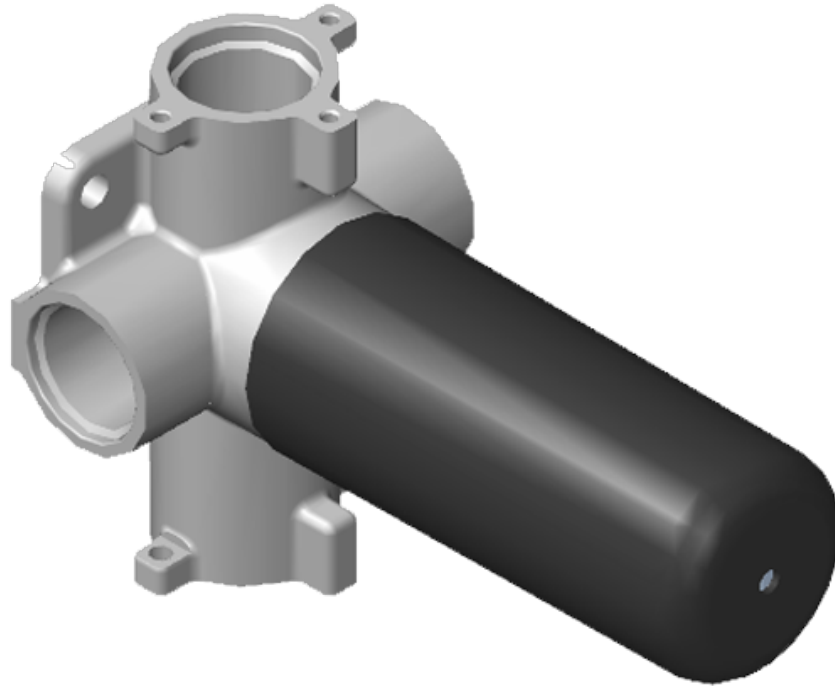


The measurements shown are for reference only. Products and specifications shown are subject to change without notice. Revised 8/2018.

www.graff-designs.com | phone: 800-954-4723

SHOWER
Three-Way Diverter Control Valve
WITH Off Function (No Pass-
Through)
G-8053

GRAFF®



Information

- ~11.4 gpm @ 60 psi
- 3/4" universal inlets/outlets with female threads
- Operates one function at a time
- Stacking inlet feature
- Supplied with protective plastic cover
- CALGreen compliant depending on functions

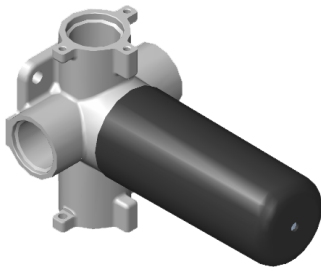
Finishes



G-8053

M-Series

3-Way Diverter Control Valve WITH Off Function (No Pass-Through)



Product Features

- 3/4" universal inlets/outlets with female threads
- Stacking inlet feature
- Supplied with protective plastic cover
- CalGreen compliant dependent on functions

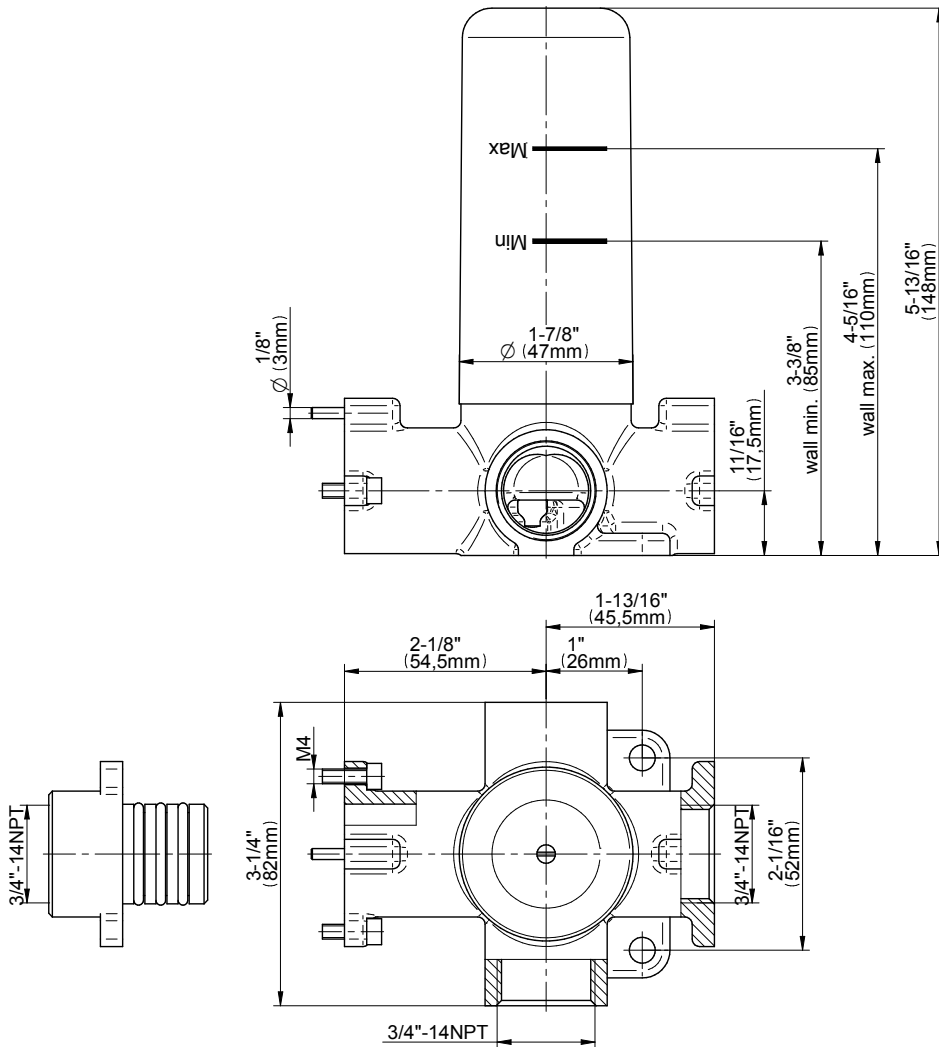
Code Compliance

- CALGreen

Warranty

- Limited lifetime warranty

For complete warranty information go to www.graff-faucets.com/en/info/faqs



The measurements shown are for reference only. Products and specifications shown are subject to change without notice. Revised 3/2016.

www.graff-faucets.com | phone: 800-954-4723

SHOWER
M.E. M-Series 3-Way Diverter
Valve Trim with Handle
G-8069-C17E1-T

GRAFF®



Information

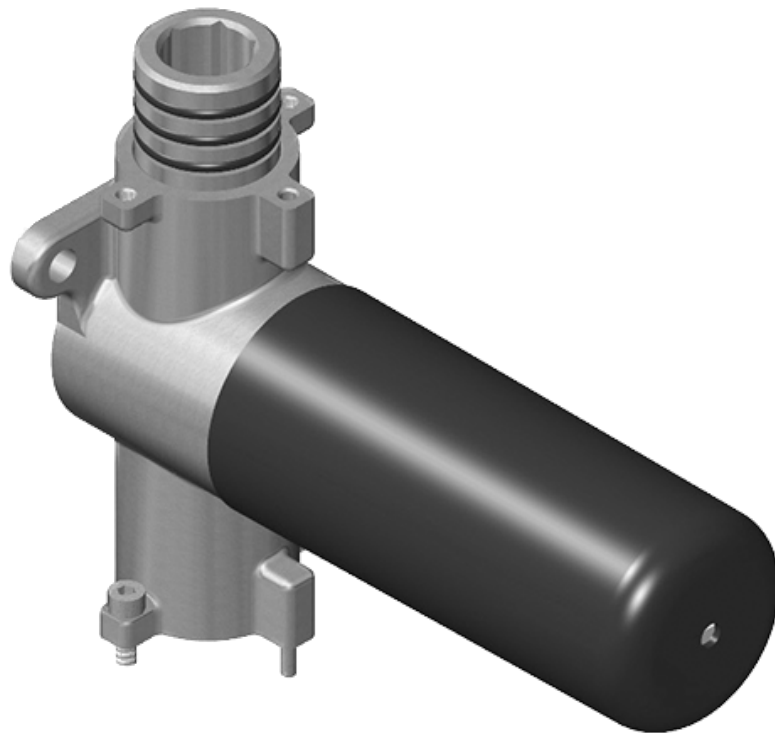
- Single metal handle
- Decorative trim plate
- Use with G-8053 3-Way Diverter Control Valve WITH Off Function
- ADA

Finishes



SHOWER
Stop/Volume Control Rough Valve
G-8077

GRAFF®



Information

- 18.1 gpm @ 60 psi
- 3/4" universal inlets/outlets with female threads
- Stacking inlet and outlet feature
- Supplied with protective plastic cover
- CalGreen compliant dependent on functions

Finishes



G-8077

M-Series

Stop/Volume Control Rough Valve

GRAFF[®]
CUTTING EDGE DESIGN



Product Features

- 3/4" universal inlets/outlets with female threads
- 18.1 gpm @ 60 psi
- Stacking inlet and outlet feature
- Supplied with protective plastic cover
- CalGreen compliant dependent on functions

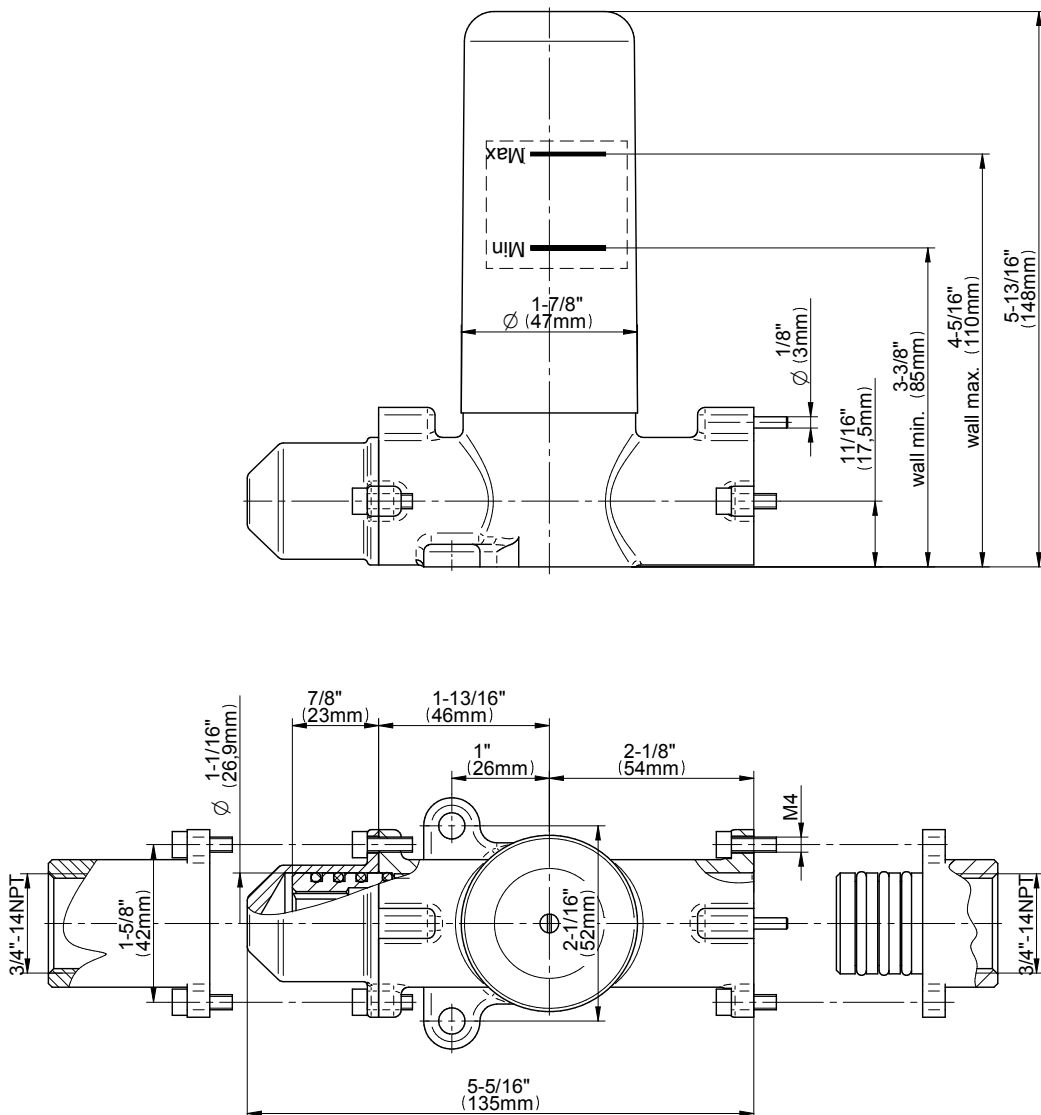
Code Compliance

- CALGreen

Warranty

- Limited lifetime warranty

For complete warranty information go to www.graff-faucets.com/en/info/faqs



The measurements shown are for reference only. Products and specifications shown are subject to change without notice. Revised 3/2016.

www.graff-faucets.com | phone: 800-954-4723

SHOWER
M.E. M-Series Stop/Volume
Control Valve Trim with Handle
G-8097-C17E1-T

GRAFF®



Information

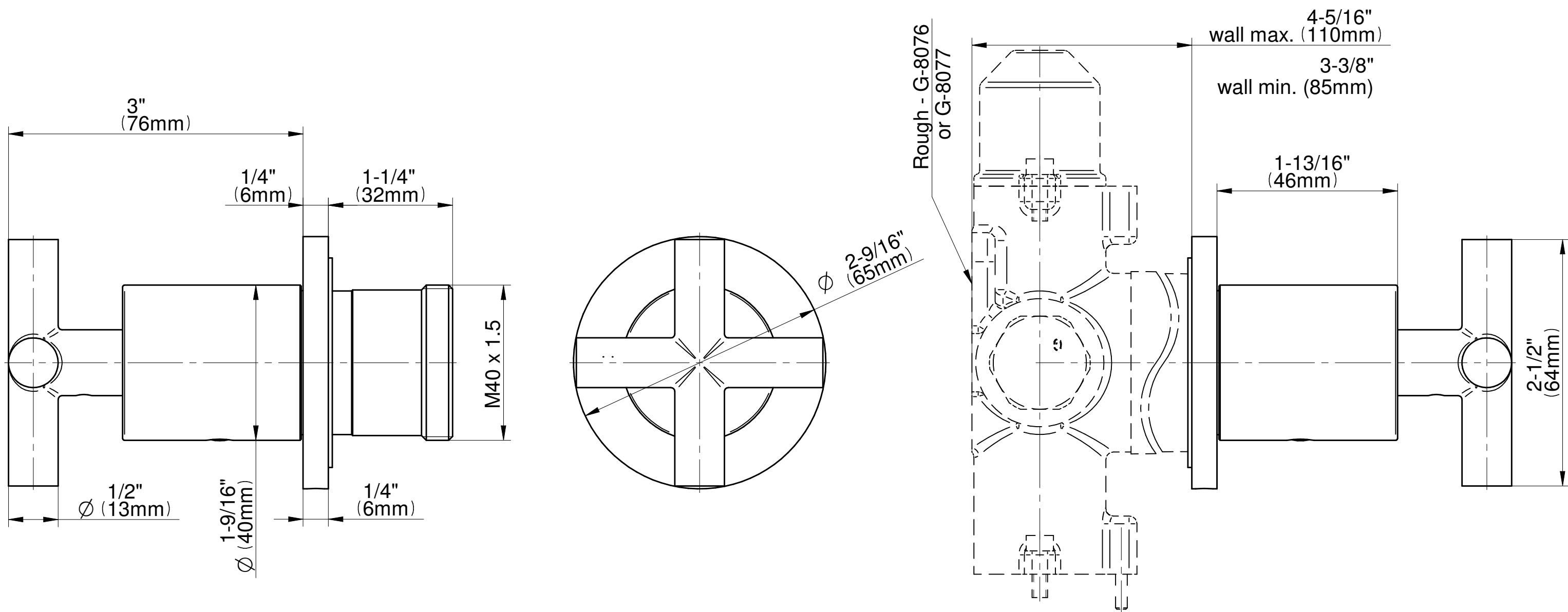
- Single metal handle
- Decorative trim plate
- Use with G-8076 Stop/Volume Control Rough Valve with Pass-Through or G-8077 Stop/Volume Control Rough Valve
- ADA

Finishes



G-8097-C17E1

TERRA Series



SHOWER
8" Round Brass Showerhead
G-8449

GRAFF®



Information

- 1/4" thick
- 169 no-clog, easy-clean rubber spray nozzles
- Recommended use with ceiling shower arm
- Recommended for use at no more than 10 degrees tilt
- Showerhead flow rate ≤ 1.8 max gpm
- CALGreen

Finishes



G-8449

Aqua-Sense Collection
Contemporary 8" Round Showerhead



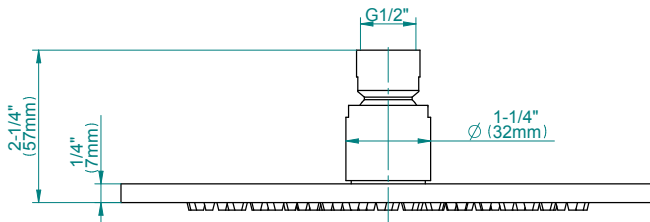
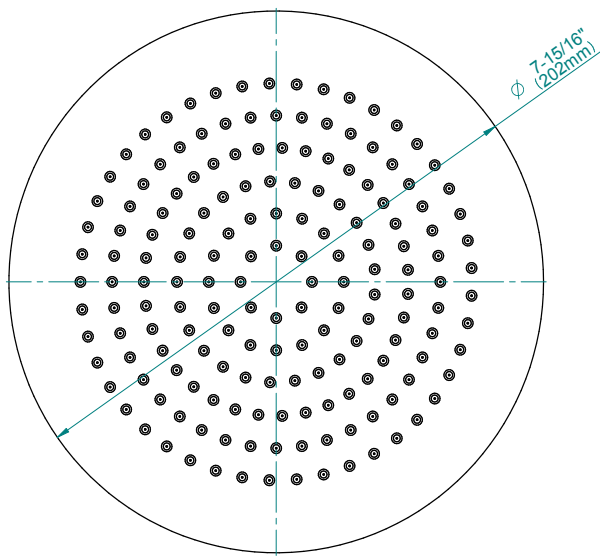
Product Features

- 1/4" thick
- 169 no-clog, easy-clean rubber spray nozzles
- Showerhead flow rate ≤ 1.8 max gpm

Available Finishes

- Polished Chrome
G-8449-PC
- Brushed Nickel
G-8449-PN
- Polished Nickel
G-8449-BNi
- Unfinished Brass*
G-8449-UB*
- Steinox
G-8449-SN
- Olive Brass*
G-8449-OB*
- Architectural Black with Chrome Accents*
G-8449-PC/BK*
- Brushed Gold*
G-8449-BAU

* Special order finish- call for availability



Code Compliance

- CALGreen

Warranty

- Limited lifetime warranty

For complete warranty information go to www.graff-designs.com/en-nam/warranty

The measurements shown are for reference only. Products and specifications shown are subject to change without notice. Revised 12/2017

www.graff-designs.com | phone: 800-954-4723

SHOWER
Contemporary 12" Shower Arm
G-8503

GRAFF®



Information

- Includes arm and solid round flange
- 1/2" NPT male thread inlet
- For use with all showerheads

Finishes



G-8503

Shower Components

Contemporary 12" Shower Arm

GRAFF®



Product Features

- Includes arm and round flange
- 1/2" NPT male thread inlet
- For use with all showerheads

Warranty

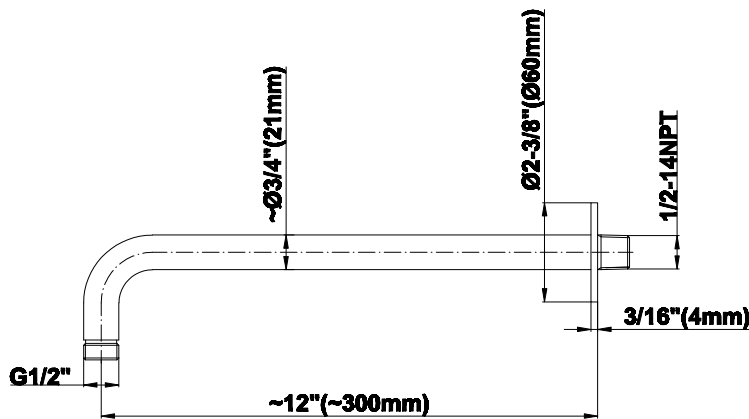
- Limited lifetime warranty

For complete warranty information go to www.graff-designs.com/en-nam/warranty

Available Finishes

- Polished Chrome
G-8503-PC
- Polished Nickel
G-8503-PN
- Brushed Nickel
G-8503-BNi
- Unfinished Brushed Brass*
G-8503-UBB*
- Unfinished Brass*
G-8503-UB*
- Matte Black*
G-8503-MBK*
- Architectural Black*
G-8503-BK*
- Architectural White*
G-8503-WT*
- Steelnox (Satin Nickel)*
G-8503-SN*
- Olive Brass*
G-8503-OB*
- Gunmetal*
G-8503-GM*
- Vintage Brushed Brass*
G-8503-VBB*
- OR'osa PVD*
G-8503-RG*
- Brushed OR'osa PVD*
G-8503-BRG*
- Onyx PVD*
G-8503-OX*
- Brushed Onyx PVD*
G-8503-BOX*
- Polished Brass PVD*
G-8503-PB*
- Brushed Brass PVD*
G-8503-BB*
- 24K Brushed Gold*
G-8503-BAU*
- 24K Gold*
G-8503-AU*
- Gunmetal Distressed*
G-8503-GMD*

* Special order finish- call for availability



The measurements shown are for reference only. Products and specifications shown are subject to change without notice. Revised 10/2019

www.graff-designs.com | phone: 800-954-4723



Information

- Brass spiral flexible hose with conical nut

Finishes





Product Features

- Brass spiral flexible hose with conical nut

Warranty

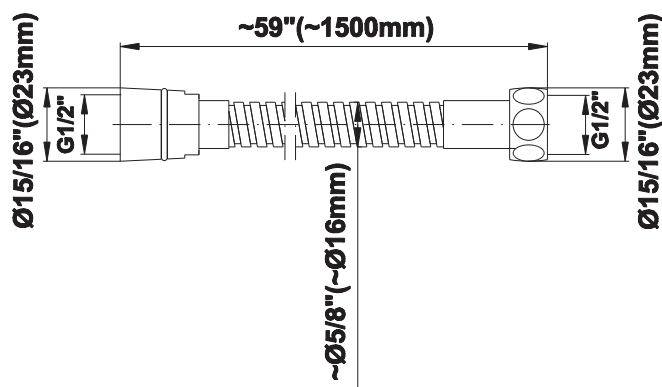
- Limited lifetime warranty

For complete warranty information go to www.graff-designs.com/en-nam/warranty

Available Finishes

- Polished Chrome
G-8605-PC
- Polished Nickel
G-8605-PN
- Brushed Nickel
G-8605-BNi
- Unfinished Brushed Brass*
G-8605-UBB*
- Unfinished Brass*
G-8605-UB*
- Matte Black*
G-8605-MBK*
- Architectural Black*
G-8605-BK*
- Architectural White*
G-8605-WT*
- Olive Brass*
G-8605-OB*
- Gunmetal*
G-8605-GM*
- Vintage Brushed Brass*
G-8605-VBB*
- Steelnox (Satin Nickel)
G-8605-SN
- 24K Brushed Gold*
G-8605-BAU*
- 24K Gold*
G-8605-AU*
- Gunmetal Distressed*
G-8605-GMD*

* Special order finish- call for availability



SHOWER
Contemporary Round Wall Supply
Elbow
G-8613

GRAFF®



Information

- 1/2" NPT female thread inlet

Finishes



G-8613

Shower Components

Contemporary Round Wall Supply Elbow



Product Features

- 1/2" NPT female thread inlet

Warranty

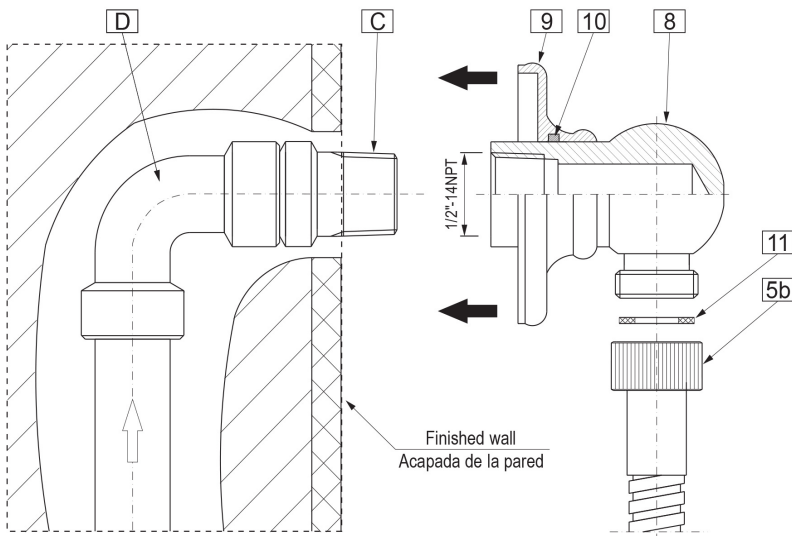
- Limited lifetime warranty

For complete warranty information go to www.graff-designs.com/en-nam/warranty

Available Finishes

- Polished Chrome
G-8613-PC
- Polished Nickel
G-8613-PN
- Brushed Nickel
G-8613-BNi
- Unfinished Brushed Brass*
G-8613-UBB*
- Unfinished Brass*
G-8613-UB*
- Matte Black*
G-8613-MBK*
- Architectural Black*
G-8613-BK*
- Architectural White*
G-8613-WT*
- Steinox (Satin Nickel)
G-8613-SN
- Olive Brass*
G-8613-OB*
- Gunmetal*
G-8613-GM*
- Vintage Brushed Brass*
G-8613-VBB*
- OR'osa PVD*
G-8613-RG*
- Brushed OR'osa PVD*
G-8613-BRG*
- Onyx PVD*
G-8613-OX*
- Brushed Onyx PVD*
G-8613-BOX*
- Polished Brass PVD*
G-8613-PB*
- Brushed Brass PVD*
G-8613-BB*
- 24K Brushed Gold*
G-8613-BAU*
- 24K Gold*
G-8613-AU*
- Gunmetal Distressed*
G-8613-GMD*

* Special order finish- call for availability



The measurements shown are for reference only. Products and specifications shown are subject to change without notice. Revised 12/2019

www.graff-designs.com | phone: 800-954-4723

SHOWER
Contemporary Wall-Mounted Slide
Bar
G-8641

GRAFF®



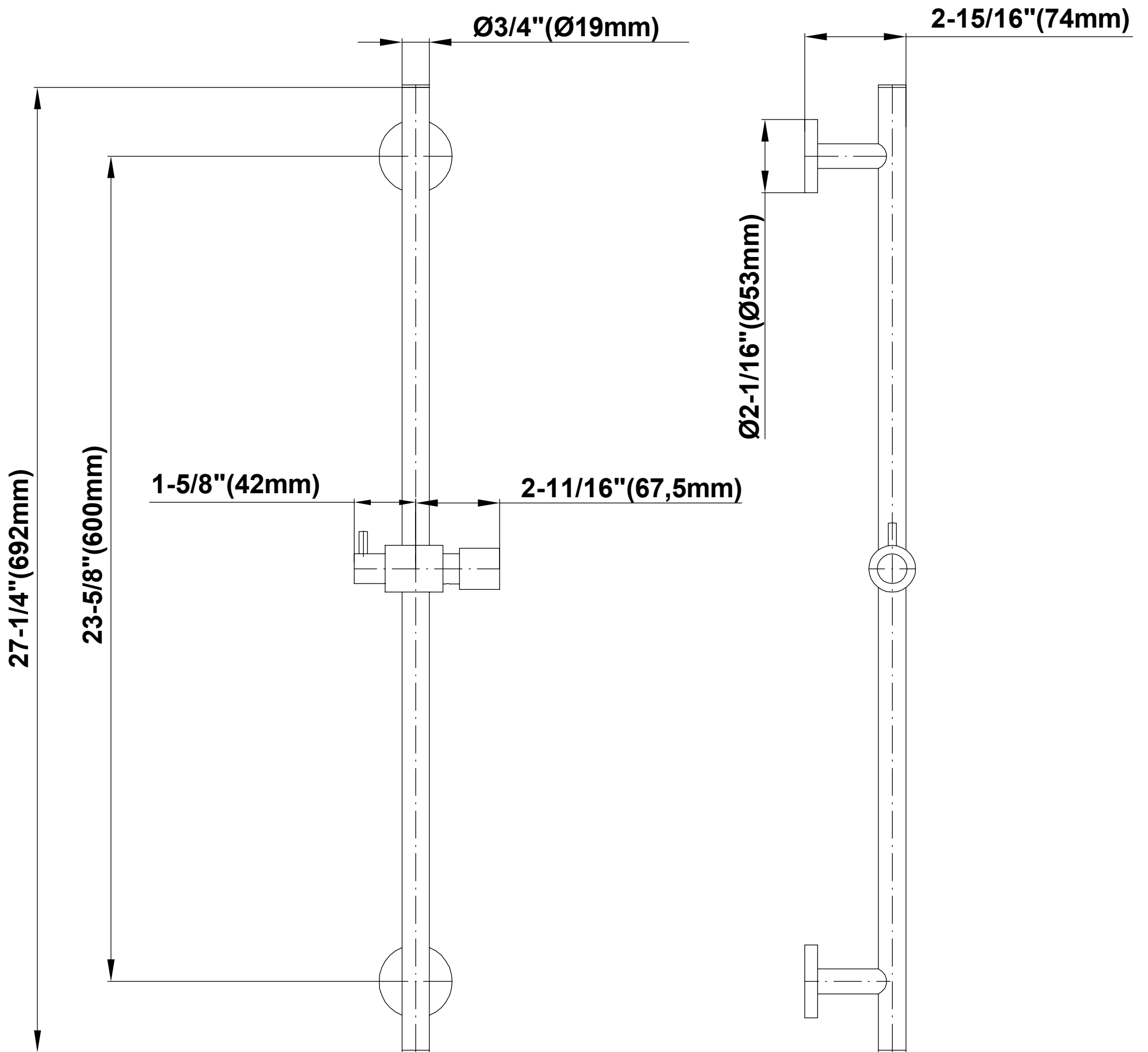
Information

- 27 1/4" tall wall-mounted slide bar
- Adjustable bracket fits all hoses with conical nut

Finishes



G - 864 1



SHOWER
Contemporary Round Handshower
G-8714

GRAFF®



Information

- Solid brass construction
- Smooth, all-metal handle
- Shower hose not included
- Handshower flow rate ≤ 1.5 max gpm
- CALGreen

Finishes



G-8714

Contemporary Round Handshower



Product Features

- Solid brass construction
- Smooth, all-metal handle
- Aerated flow rate ≤ 1.5 max gpm
- Shower hose not included

Code Compliance

- CalGreen compliant

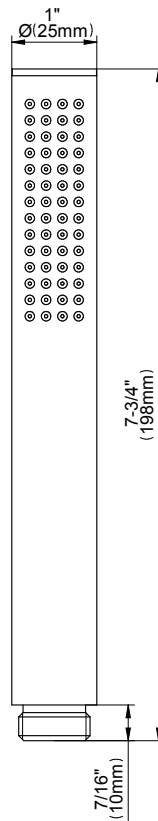
Available Finishes

- Polished Chrome
G-8714-PC
- Brushed Nickel
G-8714-BNi
- Polished Nickel
G-8714-PN
- Steelnox[®]
G-8714-SN
- Olive Bronze[™]
G-8714-OB
- Architectural Black[™]
G-8714-BK
- Architectural White
G-8714-WT

Warranty

- Limited lifetime warranty

For complete warranty information go to
<http://www.graff-faucets.com/en/info/faqs>



The measurements shown are for reference only. Products and specifications shown are subject to change without notice. Revised 02/2017.

www.graff-faucets.com | phone: 800-954-4723