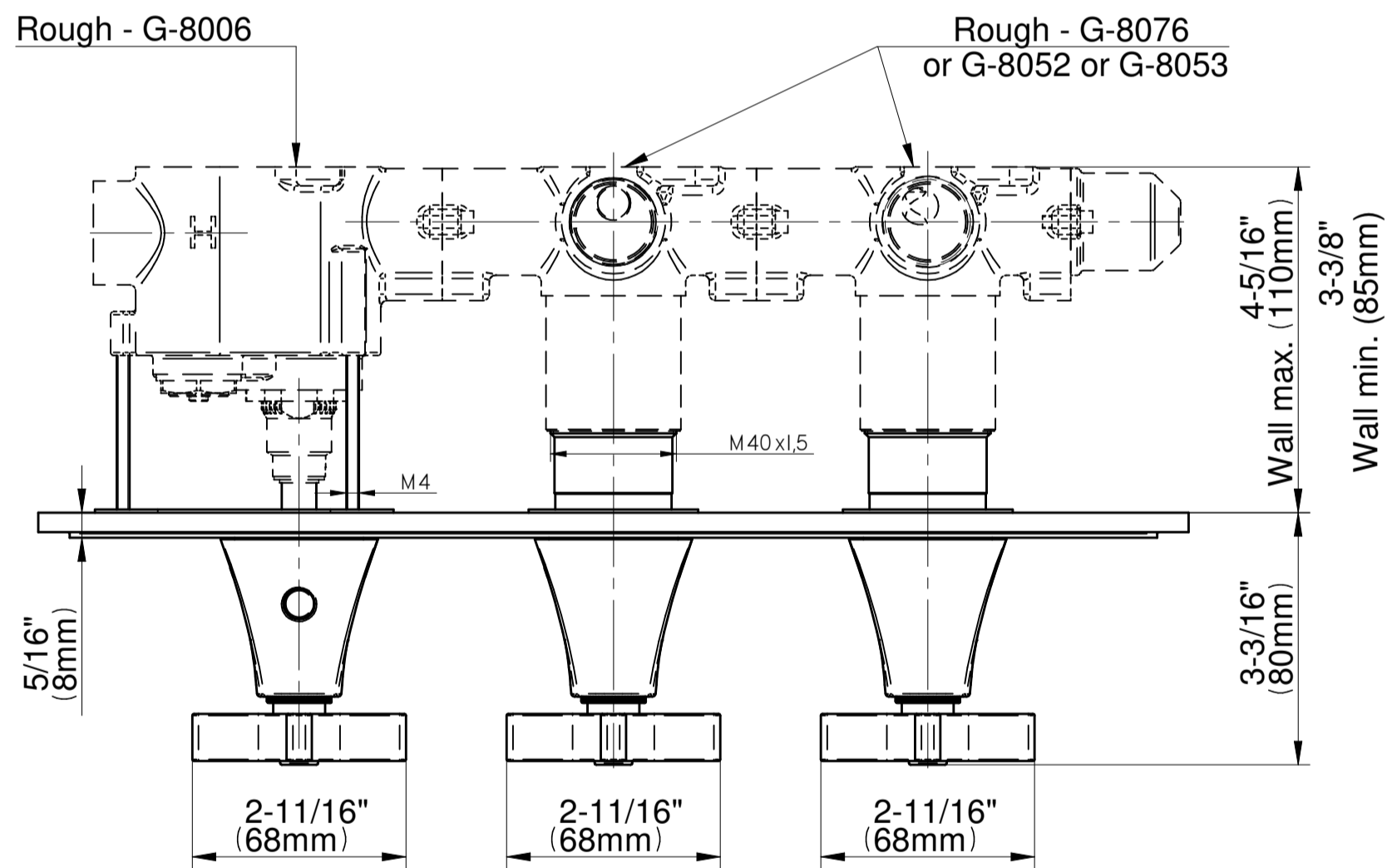
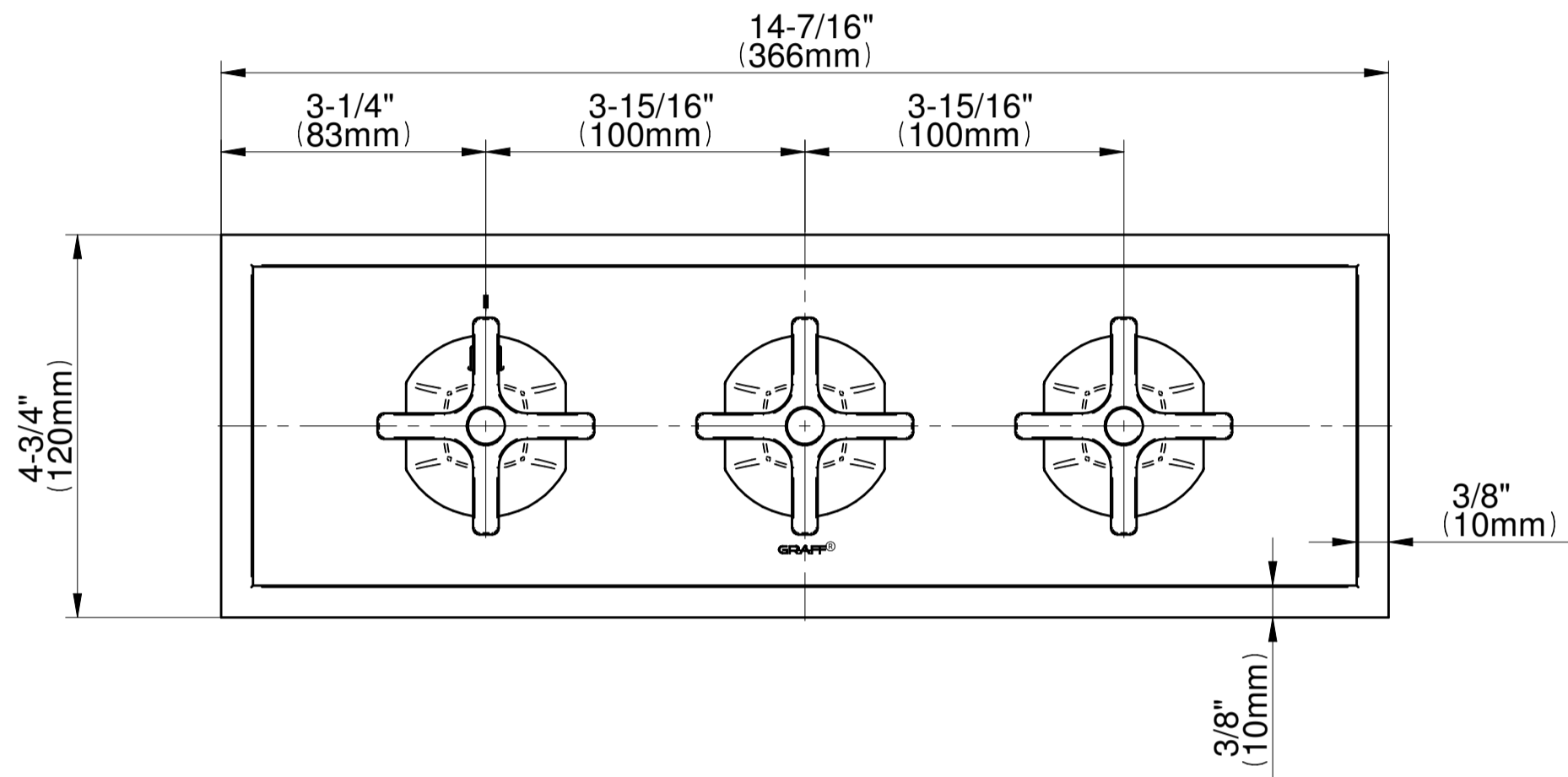


G-8178H-C15E0-T

FINEZZA DUE Series



GRAFF[®]
CUTTING EDGE DESIGN