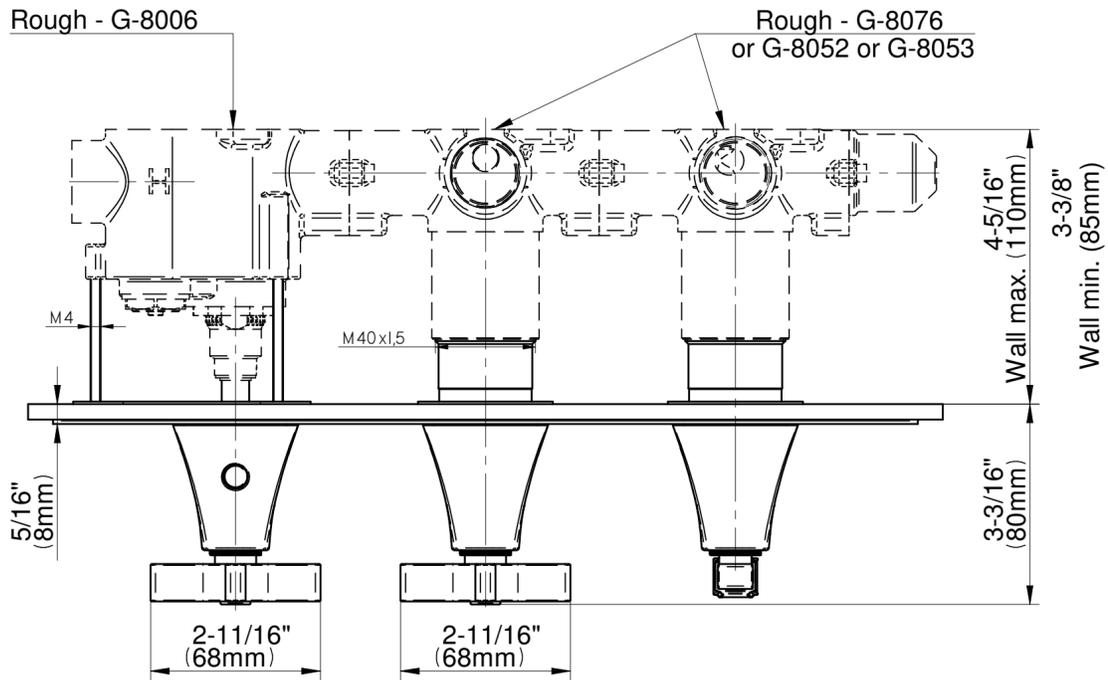
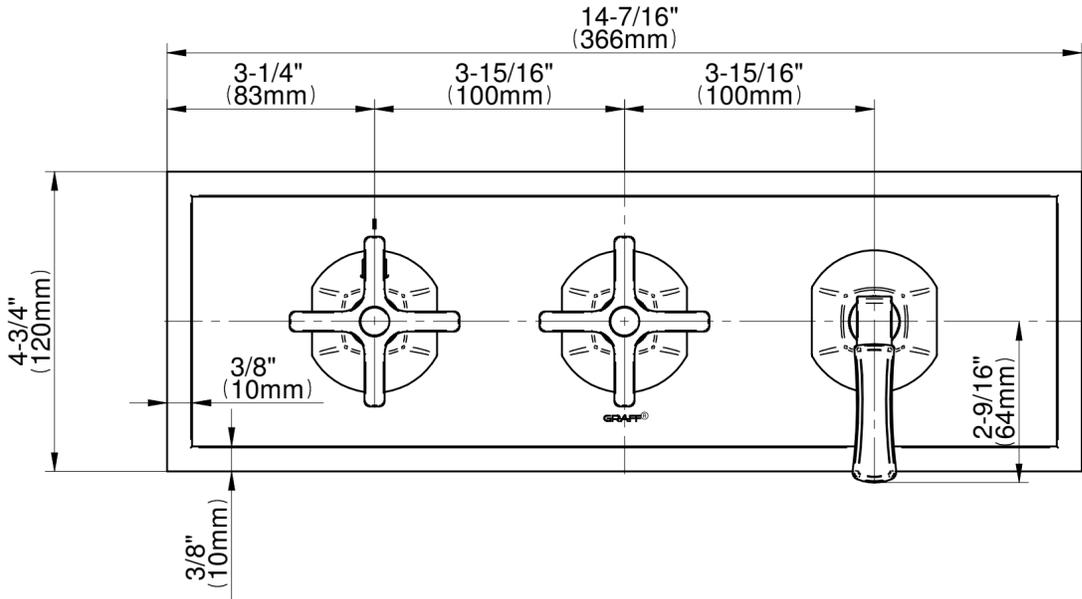


G-8178H-2C1L-T

FINEZZA DUE Series



GRAFF[®]
CUTTING EDGE DESIGN