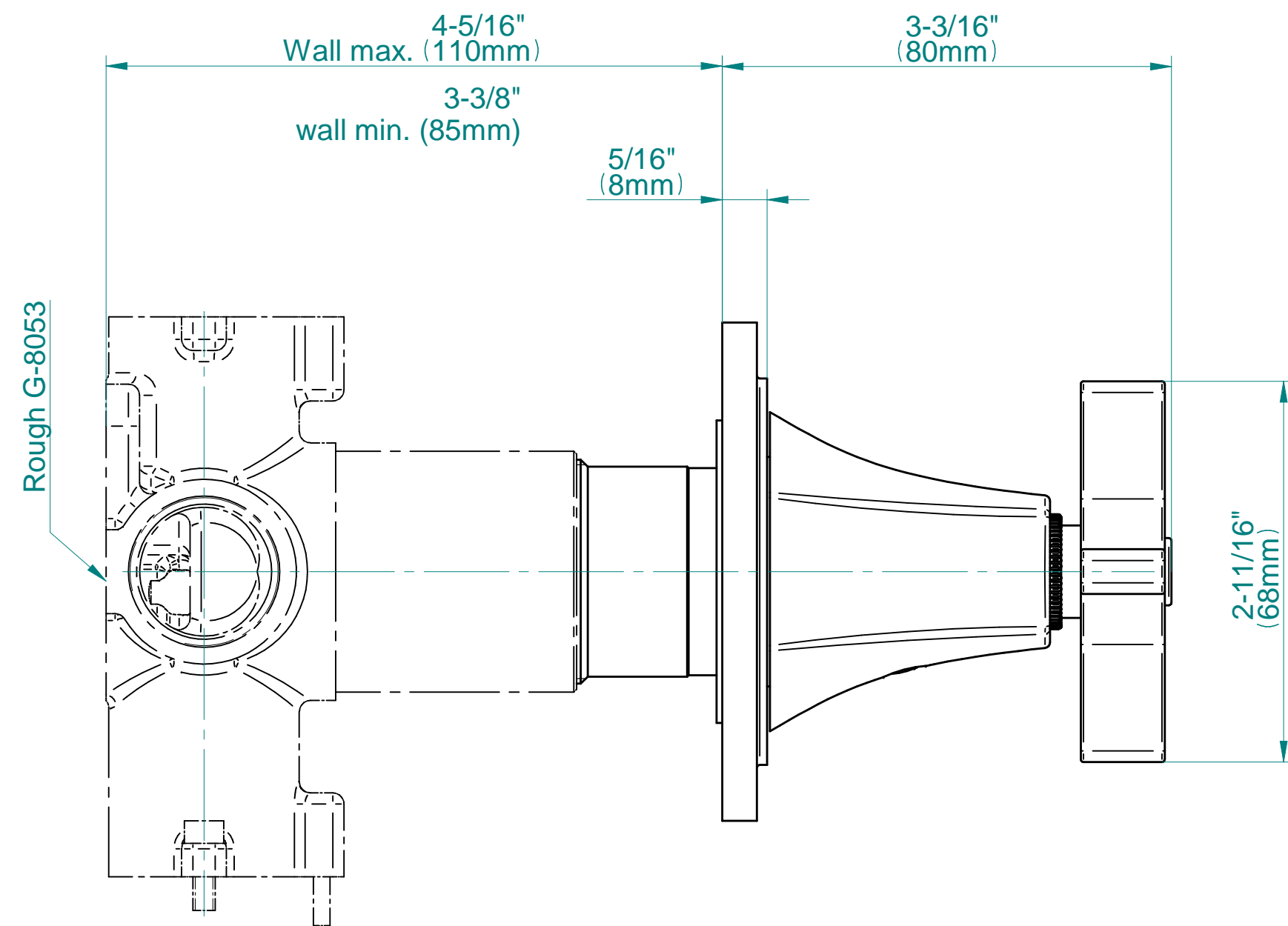
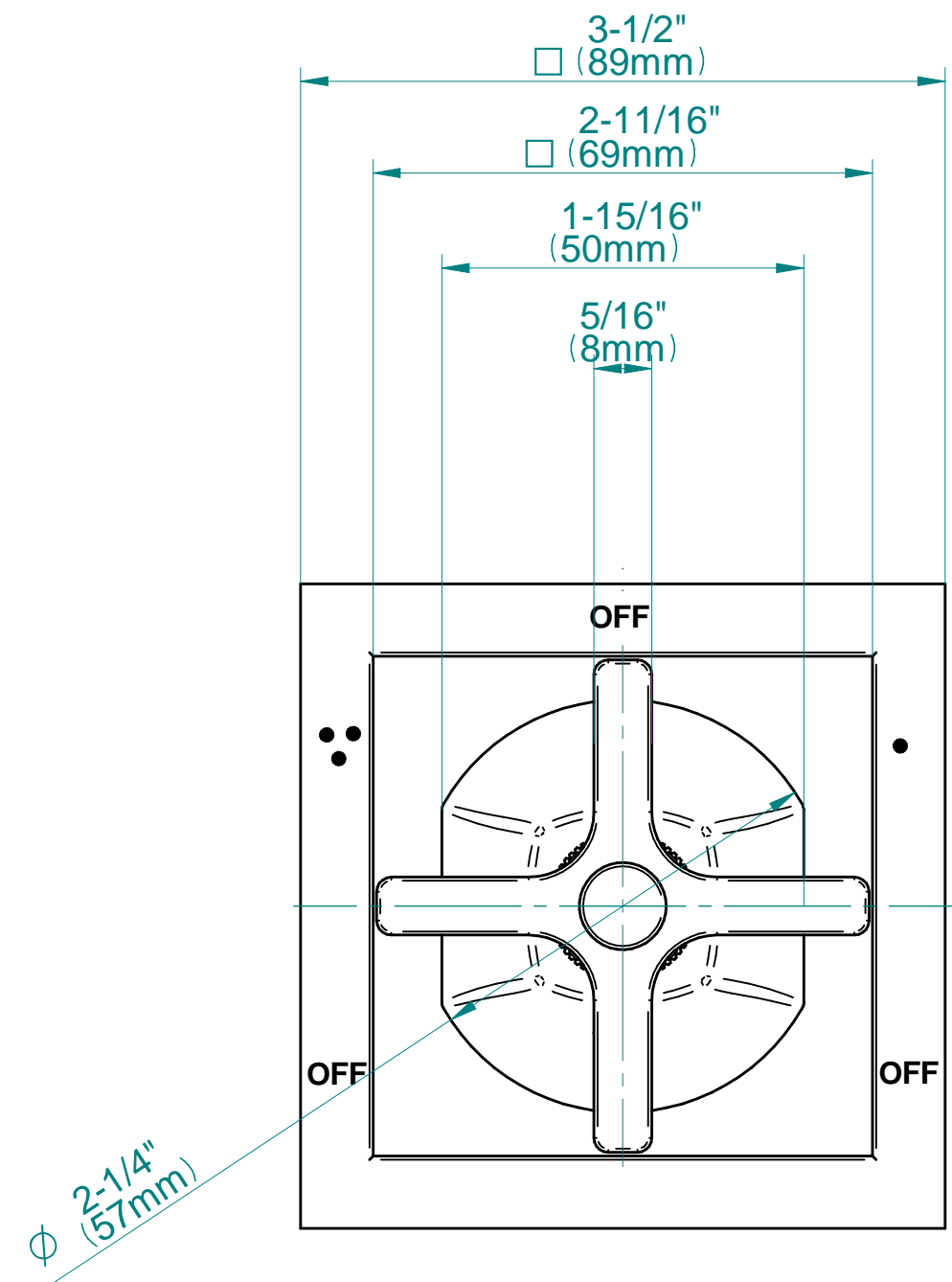


G-8174-C15E1-T

Finneza Due Series



GRAFF[®]
CUTTING EDGE DESIGN