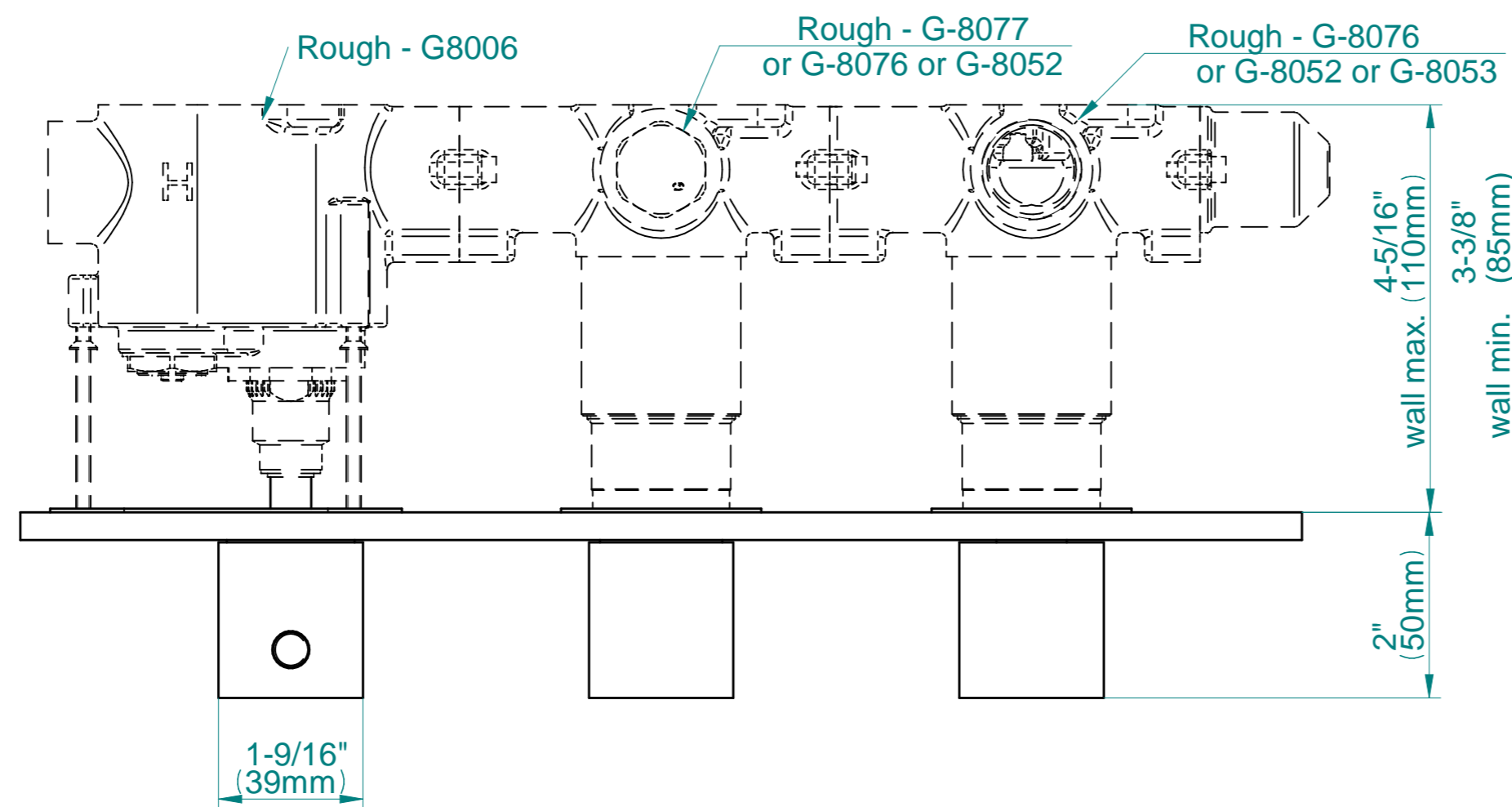
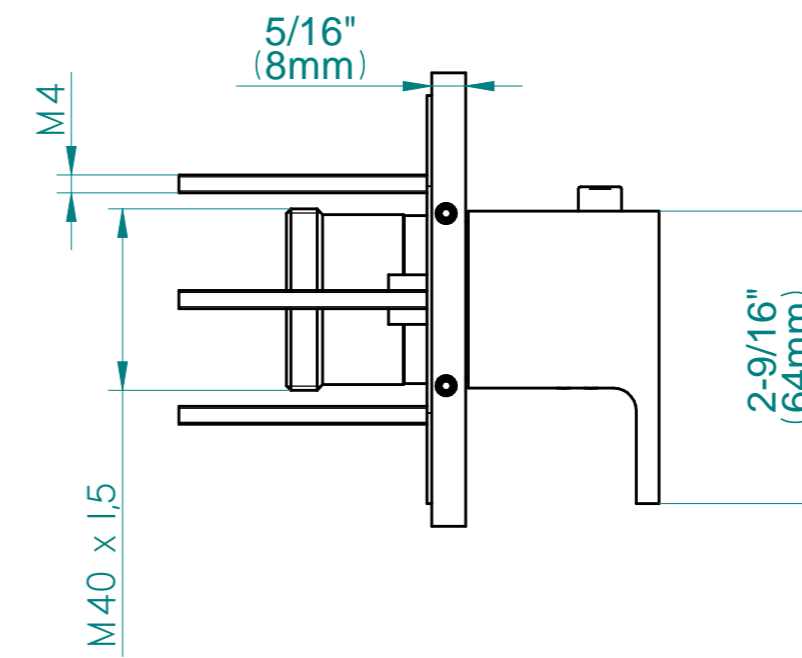
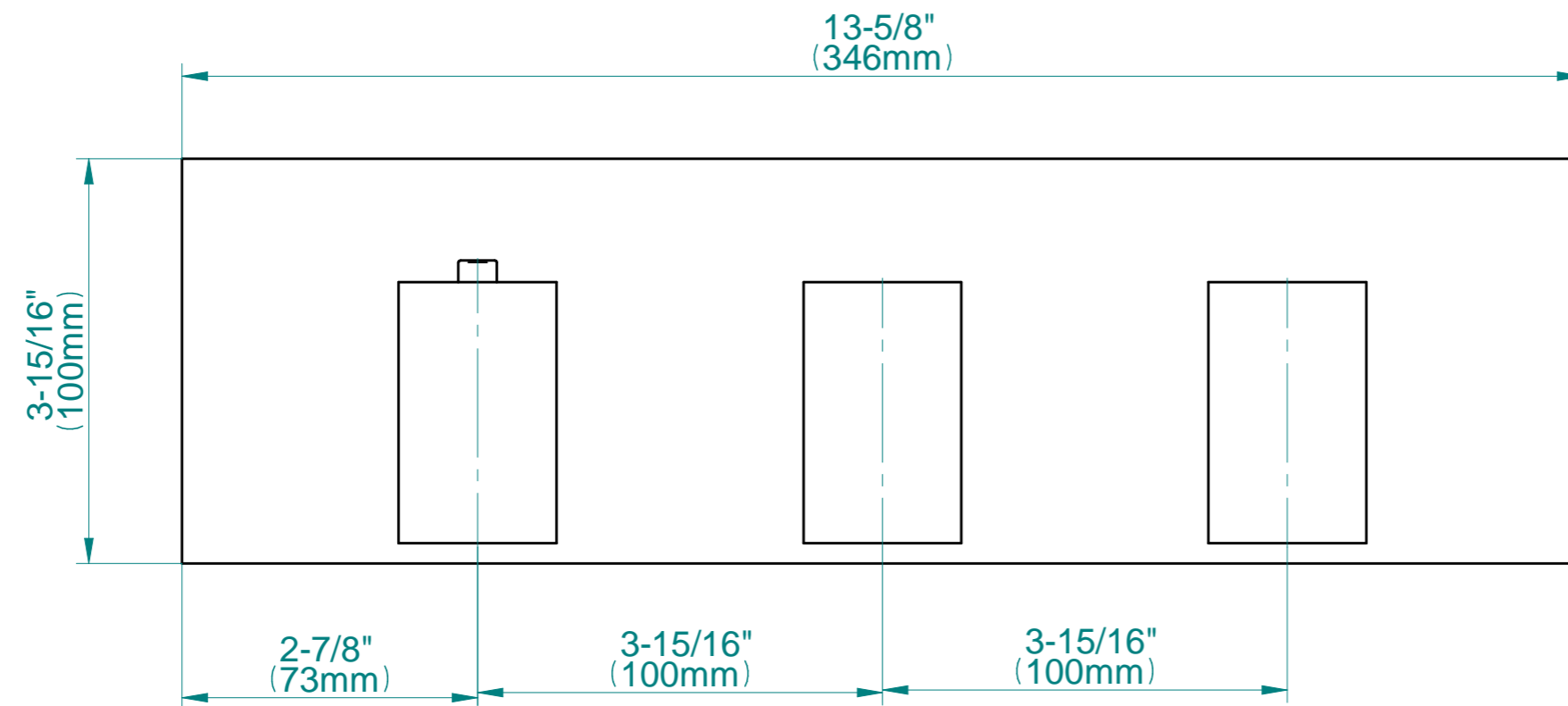


G-8057H-LM31E1-T

SOLAR Series



GRAFF[®]
CUTTING EDGE DESIGN