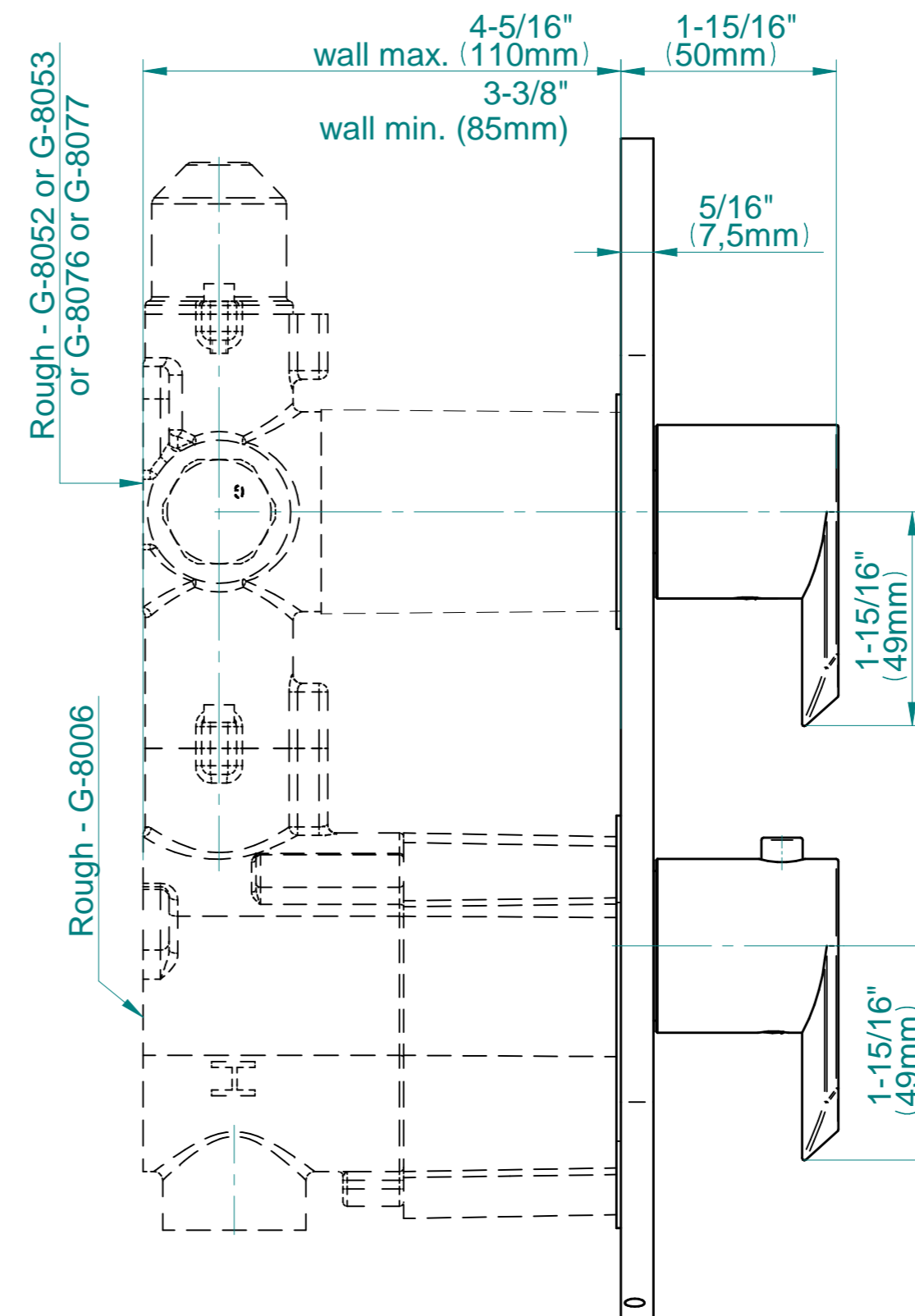
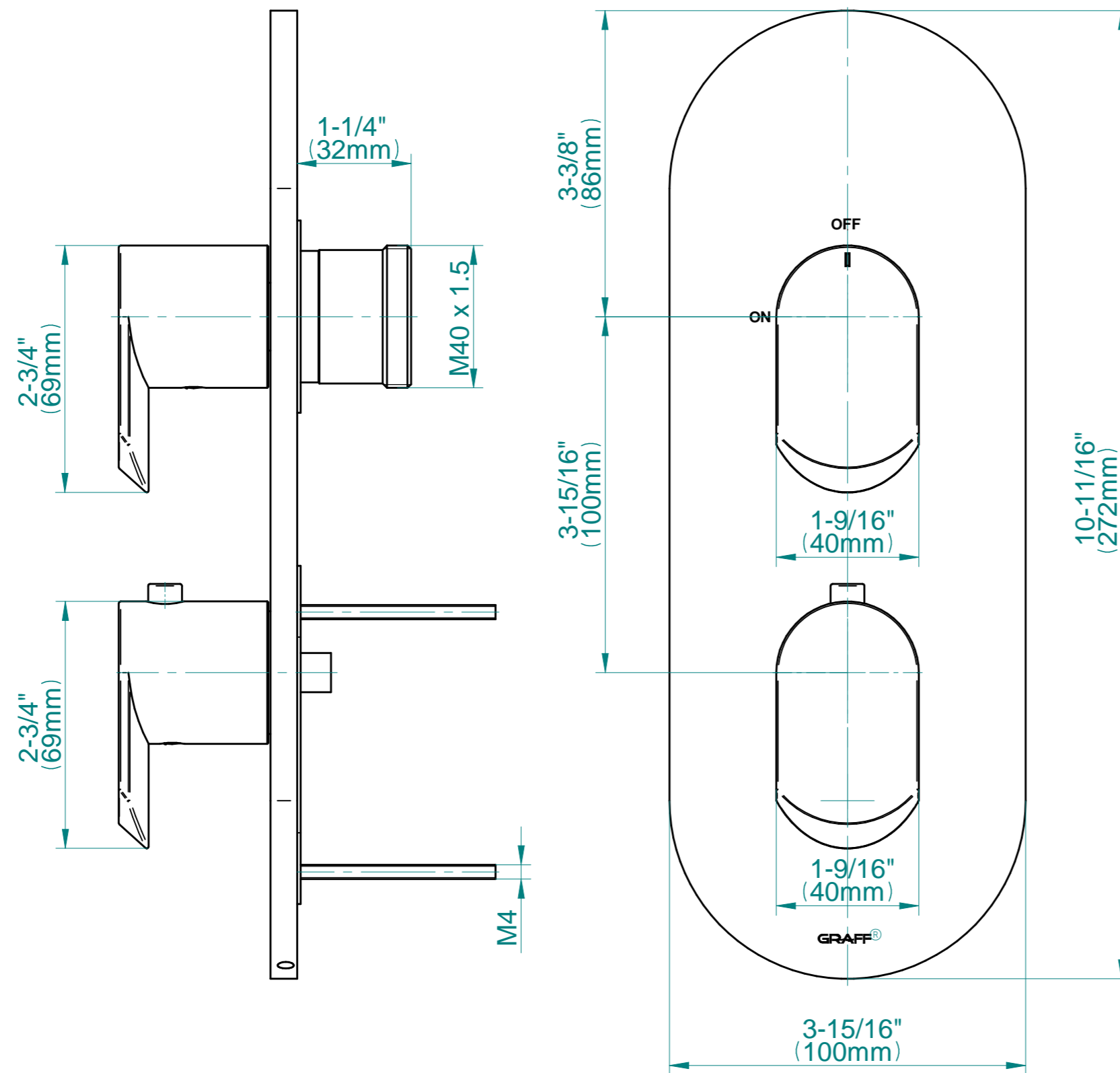


G-8047-LM45E0-T

PHASE Series



GRAFF[®]
CUTTING EDGE DESIGN