

SHOWER
Topaz Showerhead with Shower
Arm
G-8395

GRAFF[®]



Information

- Octagon shape with 40 spray openings
- Metal ball-joint allows for easy showerhead angle adjustment
- Includes arm and flange
- Showerhead flow rate ≤ 1.8 max gpm
- CALGreen

SHOWER
3-3/4" Hexagonal Showerhead
G-8445

GRAFF®



Information

- Octagon shape, 40 spray openings
- Metal ball-joint allows for showerhead angle adjustment
- Matches Topaz Series
- Showerhead flow rate ≤ 1.8 max gpm
- CALGreen

Finishes



24K Gold



24K Brushed
Gold



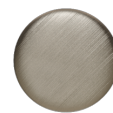
Olive Bronze



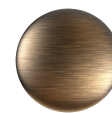
Polished
Chrome



Polished
Nickel



Steelnox®
(Satin Nickel)



Vintage
Brushed Brass

G-8445

Topaz Collection

3-3/4" Octagonal Showerhead

GRAFF[®]
CUTTING EDGE DESIGN



Product Features

- Octagon shape, 40 spray openings
- Metal ball-joint allows for showerhead angle adjustment
- Matches Topaz Collection
- Showerhead flow rate ≤ 1.8 max gpm

Available Finishes

- Polished Chrome
G-8445-PC
- Polished Nickel
G-8445-BNi
- Steelnix
G-8445-SN
- Olive Brass
G-8445-OB
- Gold*
G-8445-AU*
- Brushed Gold*
G-8445-BAU*

* Special order finish- call for availability

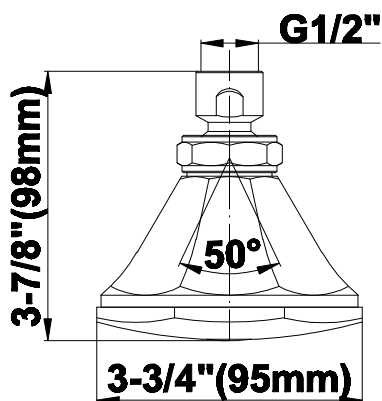
Code Compliance

- CALGreen

Warranty

- Limited lifetime warranty

For complete warranty information go to www.graff-designs.com/en-nam/warranty



The measurements shown are for reference only. Products and specifications shown are subject to change without notice. Revised 12/2017

www.graff-designs.com | phone: 800-954-4723

SHOWER
Traditional 5" Shower Arm
G-8520

GRAFF®



Information

- Includes arm and flange
- 1/2" NPT male thread inlet
- For use with all showerheads (especially G-8420, G-8440 and G-8450)

Finishes



24K Gold



24K Brushed
Gold



Olive Bronze



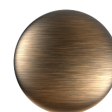
Polished
Chrome



Polished
Nickel



Steelnox®
(Satin Nickel)



Vintage
Brushed Brass

G-8520

