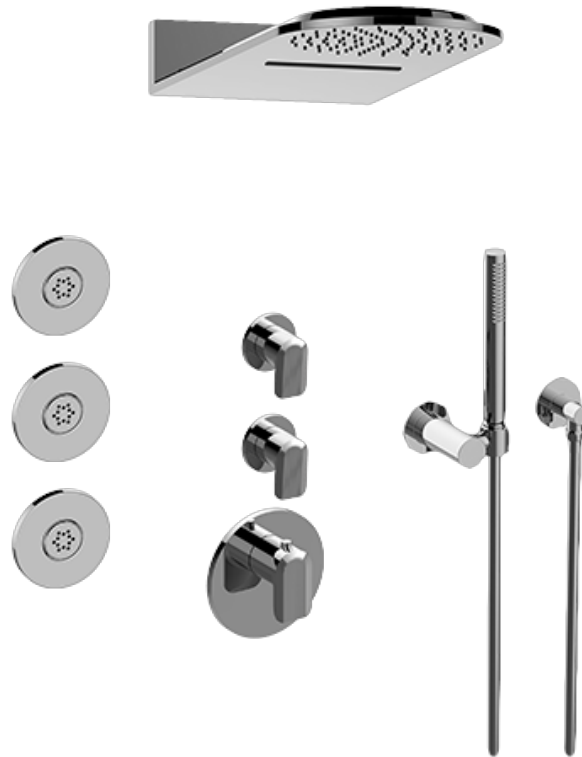


SHOWER
M-Series Full Thermostatic
Shower System
GL3.123SE-LM58E0

GRAFF®

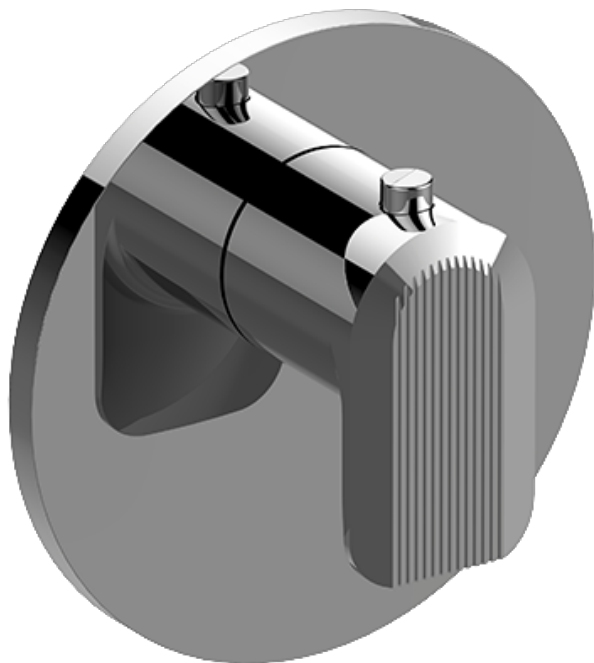


Information

- 3/4" thermostatic valve and trim
- 3/4" 2-way diverter valve and trim (2 pieces)
- G-8225 dual-function, stainless steel showerhead, with rainfall and cascade settings, features 100 no-clog, easy-clean spray nozzles
- Flush-mounted swivel body sprays (3 pieces)
- Handshower set with wall bracket and 59" hose
- Optional extension kit
- Flow rates: rainfall ≤ 1.8 max gpm, cascade ≤ 1.8 max gpm, handshower ≤ 1.5 max gpm, body sprays ≤ 1.5 max gpm each
- ADA

SHOWER
M-Series Thermostatic Valve Trim
with Handle

GRAFF[®]



Information

- Single metal handle
- Decorative trim plate
- Use with G-8006 Thermostatic Rough Valve
- ADA

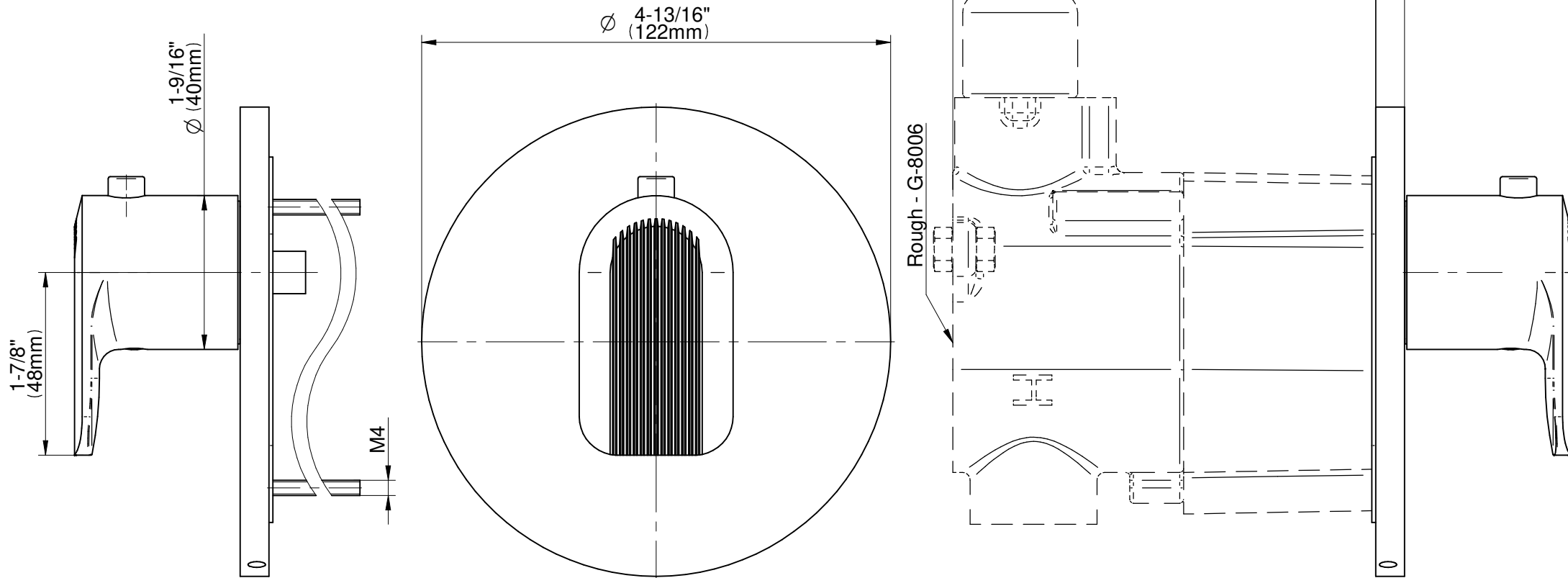
Finishes



Polished
Chrome

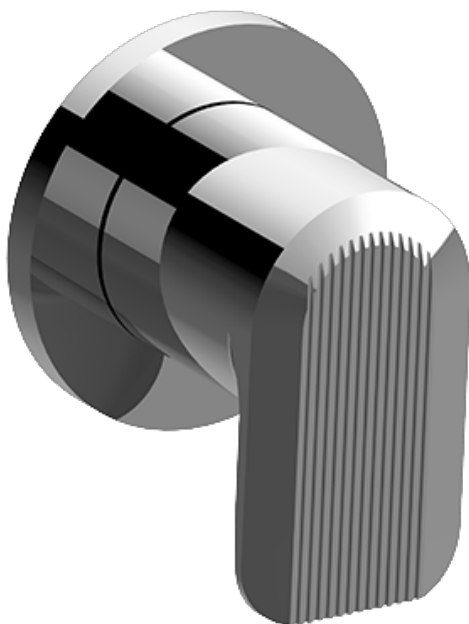
G-8037-LM58E-T

Sento Series



SHOWER
M-Series 2-Way Diverter Valve
Trim with Handle

GRAFF[®]



Information

- M-Series 2-Way Diverter Valve Trim with Handle
- Decorative trim plate
- Use with G-8052 2-Way Diverter Volume Control Valve WITH Off Function and Pass-Through
- ADA

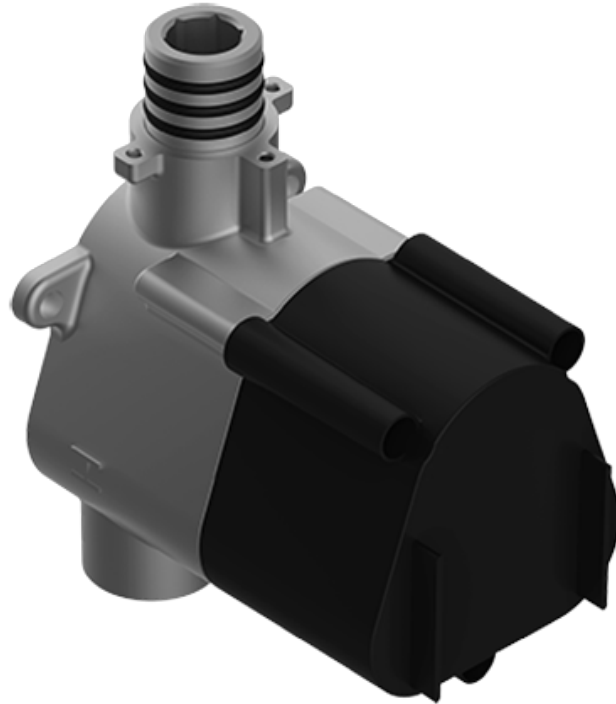
Finishes



Polished
Chrome

SHOWER
Thermostatic Rough Valve
G-8006

GRAFF[®]



Information

- 12.9 gpm @ 60 psi
- 3/4" universal inlets
- Built-in service stops
- Stacking outlet feature
- Complete serviceability from front of all units
- Supplied with protective plastic cover
- CalGreen compliant dependent on functions

Finishes

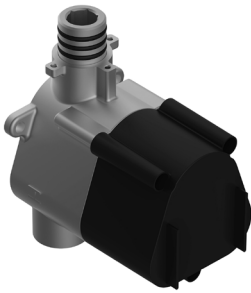


Polished
Chrome

G-8006

M-Series

3/4" Concealed Thermostatic Rough Valve



Product Features

- 12.9 gpm @ 60 psi
- 3/4" universal inlets
- Built-in service stops
- Stacking outlet feature
- Complete serviceability from front of all units
- Supplied with protective plastic cover
- CalGreen compliant dependent on functions

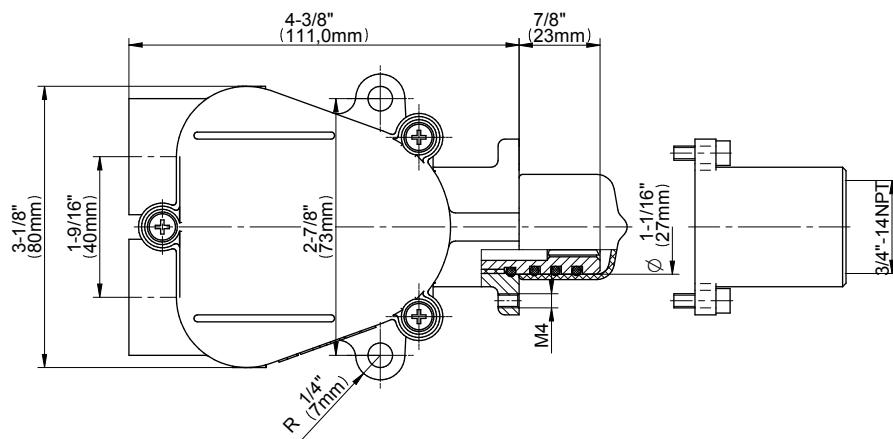
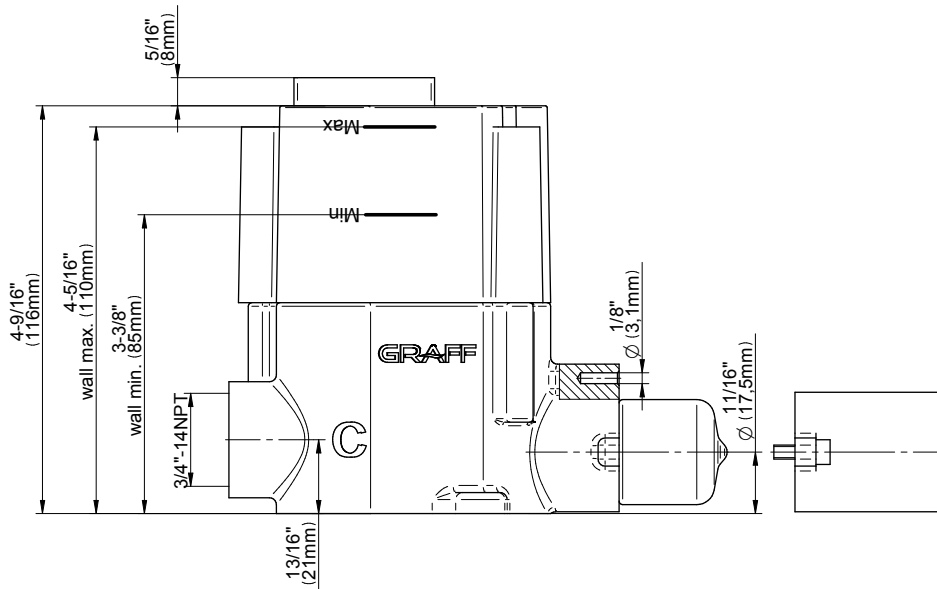
Code Compliance

- CALGreen

Warranty

- Limited lifetime warranty

For complete warranty information go to www.graff-faucets.com/en/info/faqs

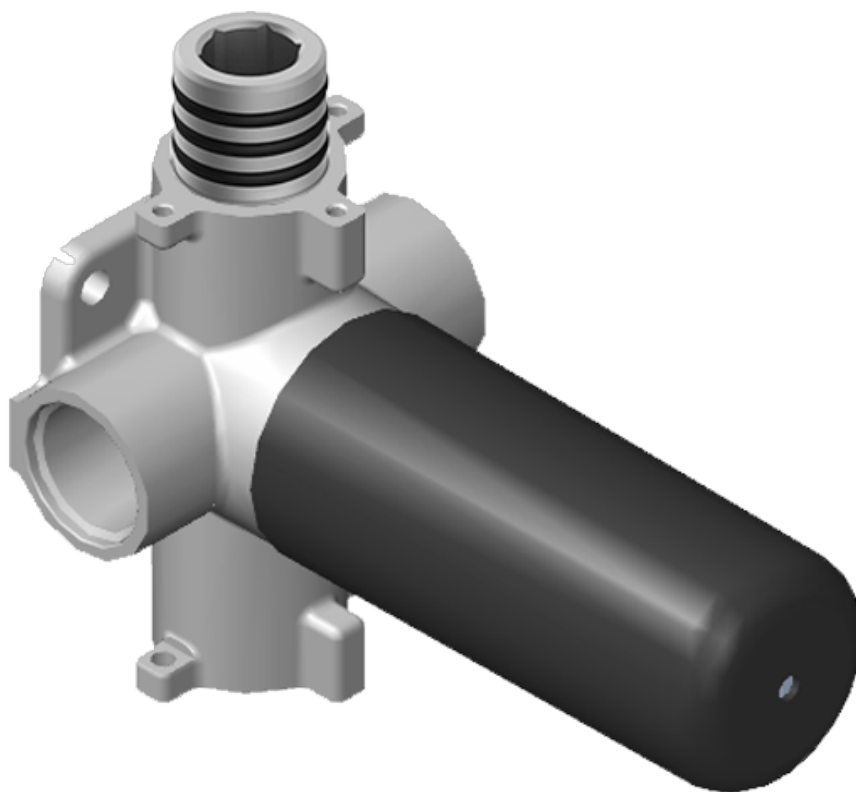


The measurements shown are for reference only. Products and specifications shown are subject to change without notice. Revised 3/2016.

www.graff-faucets.com | phone: 800-954-4723

SHOWER
Two-Way Diverter Volume Control
Valve WITH Off Function and Pass-
Through
G-8052

GRAFF®



Information

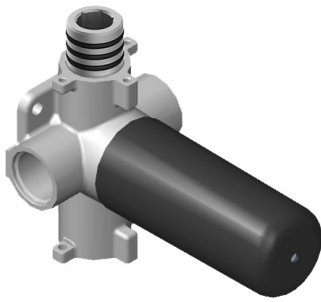
- 11.7 gpm @ 60 psi
- 3/4" universal inlets/outlets with female threads
- Operates one function at a time
- Stacking inlet and pass-through port feature
- Supplied with protective plastic cover
- CALGreen compliant depending on functions

Finishes



Polished
Chrome

G-8052 M-Series
2-Way Diverter Volume Control Valve
WITH Off Function and Pass-Through



Product Features

- 12.1 gpm @ 60 psi
- 3/4" universal inlets/outlets with female threads
- Stacking inlet and pass-through port feature
- Supplied with protective plastic cover
- CalGreen compliant dependent on functions

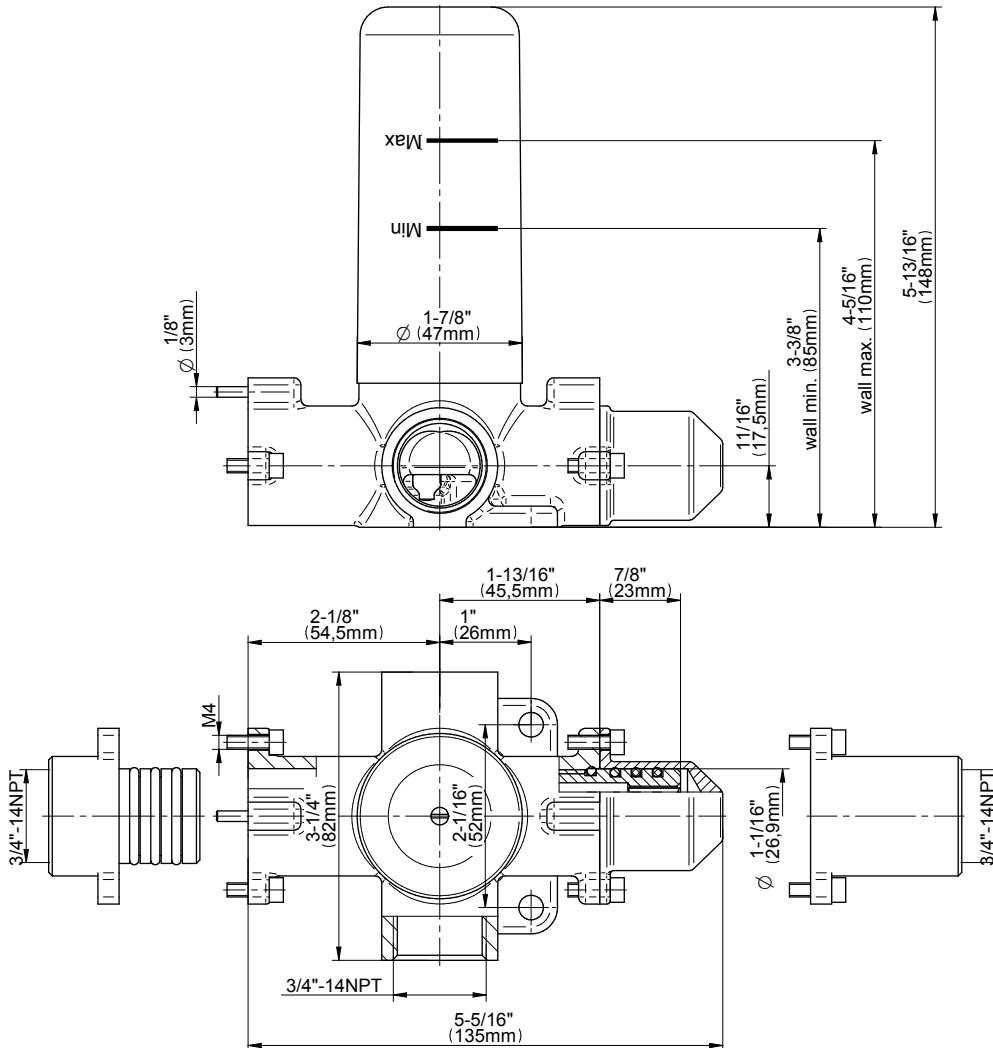
Code Compliance

- CALGreen

Warranty

- Limited lifetime warranty

For complete warranty information go to www.graff-faucets.com/en/info/faqs

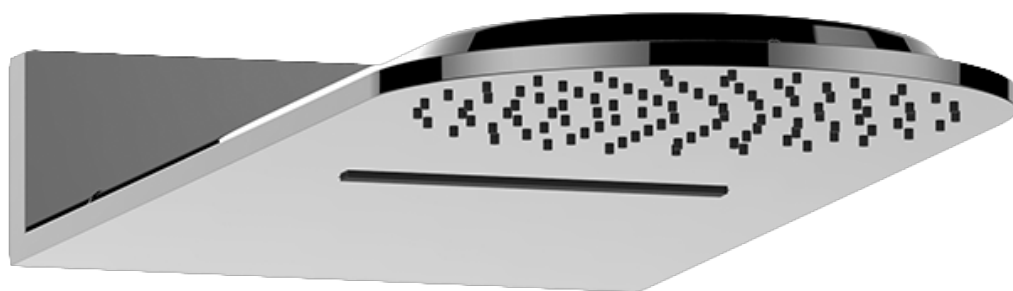


The measurements shown are for reference only. Products and specifications shown are subject to change without notice. Revised 3/2016.

www.graff-faucets.com | phone: 800-954-4723

SHOWER
Aqua-Sense Dual Function Water
Feature
G-8225

GRAFF®



Information

- Stainless Steel
- Wall-mounted installation
- Rainfall and cascade functions
- Functions may be used separately or simultaneously
- Rainfall flow rate ≤ 1.8 max gpm
- Cascade flow rate ≤ 1.8 max gpm
- 100 no-clog, easy-clean rubber water nozzles
- CALGreen

Finishes

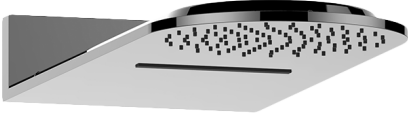


Polished
Chrome

G-8225

Aqua-Sense Collection
Dual-Function Water Feature

GRAFF®



Product Features

- Stainless steel
- Wall-mounted installation
- Rainfall and cascade functions
- Functions may be used separately or simultaneously
- Rainfall flow rate ≤ 1.8 max gpm
- Cascade flow rate ≤ 1.8 max gpm
- 100 no-clog, easy-clean rubber water nozzles

Available Finishes

- Stainless Polished
G-8225-SP
- Stainless Brushed
G-8225-SB

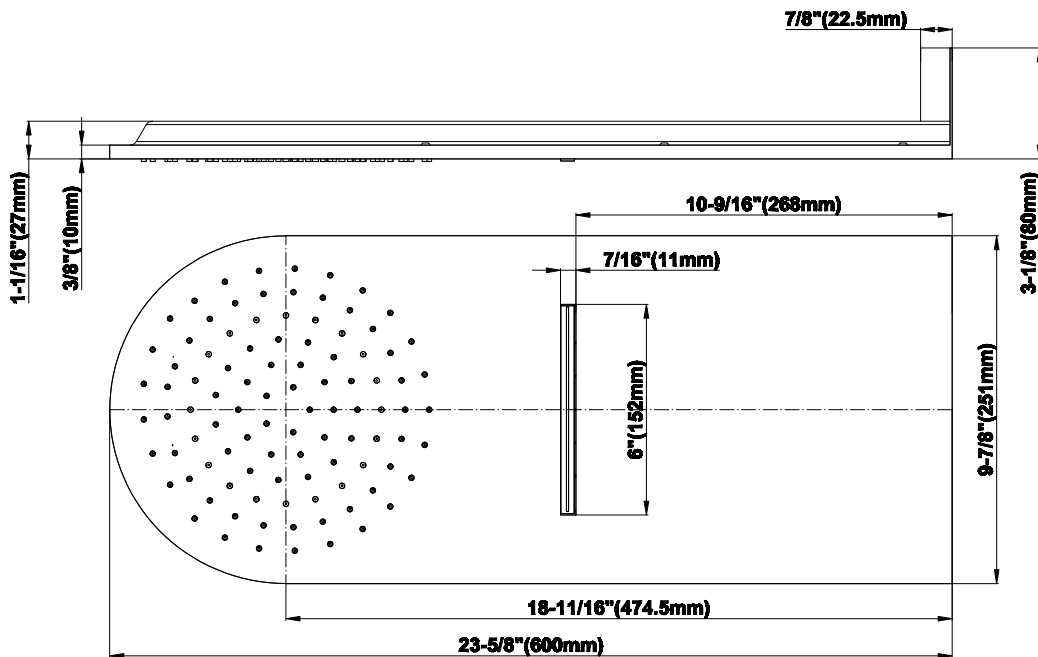
Warranty

- Limited lifetime warranty

For complete warranty information go to
<https://www.graff-faucets.com/en/info/faqs>

Code Compliance

- CALGreen



The measurements shown are for reference only. Products and specifications shown are subject to change without notice. Revised 4/2019
www.graff-designs.com | phone: 800-954-4723

SHOWER
Contemporary Flush Mount Body
Spray w/ Solid Brass Swivel Head
G-8495

GRAFF[®]



Information

- 12 no-clog, easy-clean silicon jets
- Metal ball-joint allows for 18° angle adjustment of body spray
- Brass wall escutcheon and flush-mounted trim
- 1/2" NPT female thread inlet
- Body spray flow rate \leq 1.5 max gpm

Finishes



Polished
Chrome

G-8495

Shower Components

Contemporary Flush-Mount Body Spray with Solid Brass Swivel Head



Product Features

- 12 no-clog, easy-clean silicone jets
- Metal ball-joint allows for 18° angle adjustment of body spray
- Brass wall escutcheon and flush-mounted trim
- 1/2" NPT female thread inlet
- Body spray flow rate ≤ 1.5 max gpm

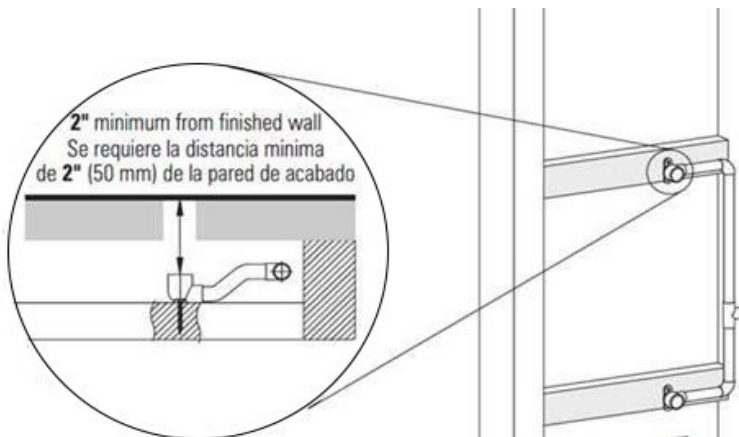
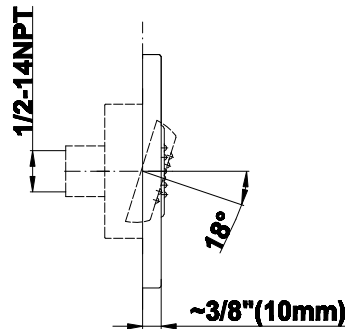
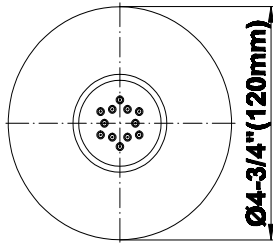
Available Finishes

- Polished Chrome
G-8495-PC
- Polished Nickel
G-8495-PN
- Brushed Nickel
G-8495-BNi
- Unfinished Brushed Brass*
G-8495-UBB*
- Unfinished Brass*
G-8495-UB*
- Matte Black*
G-8495-MBK*
- Architectural Black*
G-8495-BK*
- Architectural White*
G-8495-WT*
- Olive Brass*
G-8495-OB*
- Gunmetal*
G-8495-GM*
- Vintage Brushed Brass*
G-8495-VBB*
- Steelnox
G-8495-SN
- OR'osa PVD*
G-8495-RG*
- Onyx PVD*
G-8495-OX*
- Polished Brass PVD*
G-8495-PB*
- Brushed Brass PVD*
G-8495-BB*
- Brushed Gold*
G-8495-BAU*
- Gold*
G-8495-AU*
- Gunmetal Distressed*
G-8495-GMD*

Warranty

- Limited lifetime warranty

For complete warranty information go to www.graff-designs.com/en-nam/warranty



* Special order finish- call for availability

SHOWER
59" Shower Hose
G-8605

GRAFF®



Information

- Brass spiral flexible hose with conical nut

Finishes



Polished
Chrome



Product Features

- Brass spiral flexible hose with conical nut

Warranty

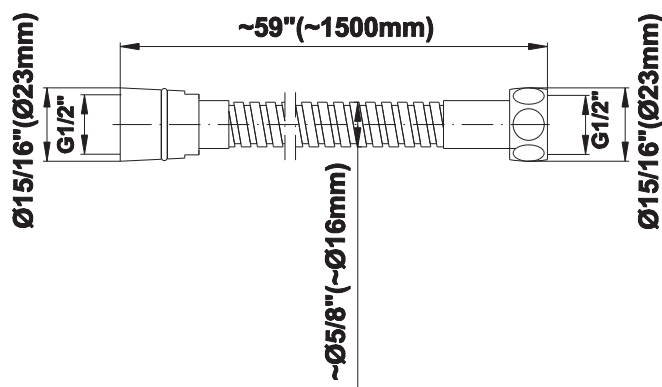
- Limited lifetime warranty

For complete warranty information go to www.graff-designs.com/en-nam/warranty

Available Finishes

- Polished Chrome
G-8605-PC
- Polished Nickel
G-8605-PN
- Brushed Nickel
G-8605-BNi
- Unfinished Brushed Brass*
G-8605-UBB*
- Unfinished Brass*
G-8605-UB*
- Matte Black*
G-8605-MBK*
- Architectural Black*
G-8605-BK*
- Architectural White*
G-8605-WT*
- Olive Brass*
G-8605-OB*
- Gunmetal*
G-8605-GM*
- Vintage Brushed Brass*
G-8605-VBB*
- Steelnox (Satin Nickel)
G-8605-SN
- 24K Brushed Gold*
G-8605-BAU*
- 24K Gold*
G-8605-AU*
- Gunmetal Distressed*
G-8605-GMD*

* Special order finish- call for availability



SHOWER
Contemporary Round Wall Supply
Elbow
G-8613

GRAFF[®]



Information

- 1/2" NPT female thread inlet

Finishes



Polished
Chrome

G-8613

Shower Components

Contemporary Round Wall Supply Elbow

GRAFF®



Product Features

- 1/2" NPT female thread inlet

Warranty

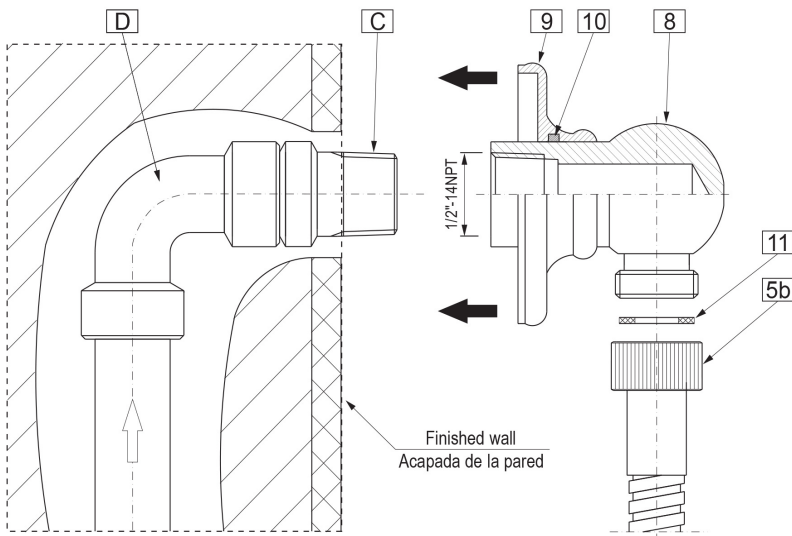
- Limited lifetime warranty

For complete warranty information go to www.graff-designs.com/en-nam/warranty

Available Finishes

- Polished Chrome
G-8613-PC
- Polished Nickel
G-8613-PN
- Brushed Nickel
G-8613-BNi
- Unfinished Brushed Brass*
G-8613-UBB*
- Unfinished Brass*
G-8613-UB*
- Matte Black*
G-8613-MBK*
- Architectural Black*
G-8613-BK*
- Architectural White*
G-8613-WT*
- Steinox (Satin Nickel)
G-8613-SN
- Olive Brass*
G-8613-OB*
- Gunmetal*
G-8613-GM*
- Vintage Brushed Brass*
G-8613-VBB*
- OR'osa PVD*
G-8613-RG*
- Brushed OR'osa PVD*
G-8613-BRG*
- Onyx PVD*
G-8613-OX*
- Brushed Onyx PVD*
G-8613-BOX*
- Polished Brass PVD*
G-8613-PB*
- Brushed Brass PVD*
G-8613-BB*
- 24K Brushed Gold*
G-8613-BAU*
- 24K Gold*
G-8613-AU*
- Gunmetal Distressed*
G-8613-GMD*

* Special order finish- call for availability



The measurements shown are for reference only. Products and specifications shown are subject to change without notice. Revised 12/2019

www.graff-designs.com | phone: 800-954-4723

SHOWER
Contemporary Round Wall
Bracket for Handshower
G-8642

GRAFF[®]



Information

- Solid brass construction
- Swivel holder

Finishes



Polished
Chrome

G-8642

Shower Components

Contemporary Round Wall Bracket for Handshower

GRAFF®



Product Features

- Solid brass construction
- Swivel holder

Warranty

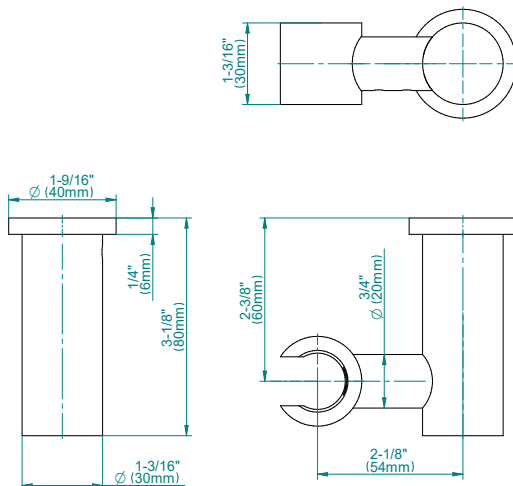
- Limited lifetime warranty

For complete warranty information go to www.graff-designs.com/en-nam/warranty

Available Finishes

- Polished Chrome
G-8642-PC
- Polished Nickel
G-8642-PN
- Brushed Nickel
G-8642-BNi
- Unfinished Brushed Brass*
G-8642-UBB*
- Unfinished Brass*
G-8642-UB*
- Matte Black*
G-8642-MBK*
- Architectural Black*
G-8642-BK*
- Architectural White*
G-8642-WT*
- Steelnox (Satin Nickel)*
G-8642-SN*
- Olive Brass*
G-8642-OB*
- Gunmetal*
G-8642-GM*
- Vintage Brushed Brass*
G-8642-VBB*
- OR'osa PVD*
G-8642-RG*
- Brushed OR'osa PVD*
G-8642-BRG*
- Onyx PVD*
G-8642-OX*
- Brushed Onyx PVD*
G-8642-BOX*
- Polished Brass PVD*
G-8642-PB*
- Brushed Brass PVD*
G-8642-BB*
- 24K Brushed Gold*
G-8642-BAU*
- 24K Gold*
G-8642-AU*
- Gunmetal Distressed*
G-8642-GMD*

* Special order finish- call for availability



The measurements shown are for reference only. Products and specifications shown are subject to change without notice. Revised 10/2019

www.graff-designs.com | phone: 800-954-4723

SHOWER
Contemporary Round Handshower
G-8714

GRAFF®



Information

- Solid brass construction
- Smooth, all-metal handle
- Shower hose not included
- Handshower flow rate ≤ 1.5 max gpm
- CALGreen

Finishes



Polished
Chrome

G-8714

Contemporary Round Handshower



Product Features

- Solid brass construction
- Smooth, all-metal handle
- Aerated flow rate ≤ 1.5 max gpm
- Shower hose not included

Code Compliance

- CalGreen compliant

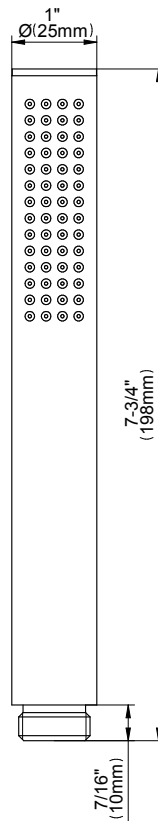
Available Finishes

- Polished Chrome
G-8714-PC
- Brushed Nickel
G-8714-BNi
- Polished Nickel
G-8714-PN
- Steelnox[®]
G-8714-SN
- Olive Bronze[™]
G-8714-OB
- Architectural Black[™]
G-8714-BK
- Architectural White
G-8714-WT

Warranty

- Limited lifetime warranty

For complete warranty information go to
<http://www.graff-faucets.com/en/info/faqs>



The measurements shown are for reference only. Products and specifications shown are subject to change without notice. Revised 02/2017.

www.graff-faucets.com | phone: 800-954-4723