

SHOWER
Transitional Wall Bracket for
Handshower
G-8682

GRAFF®



Information

- Solid brass construction
- Swivel holder

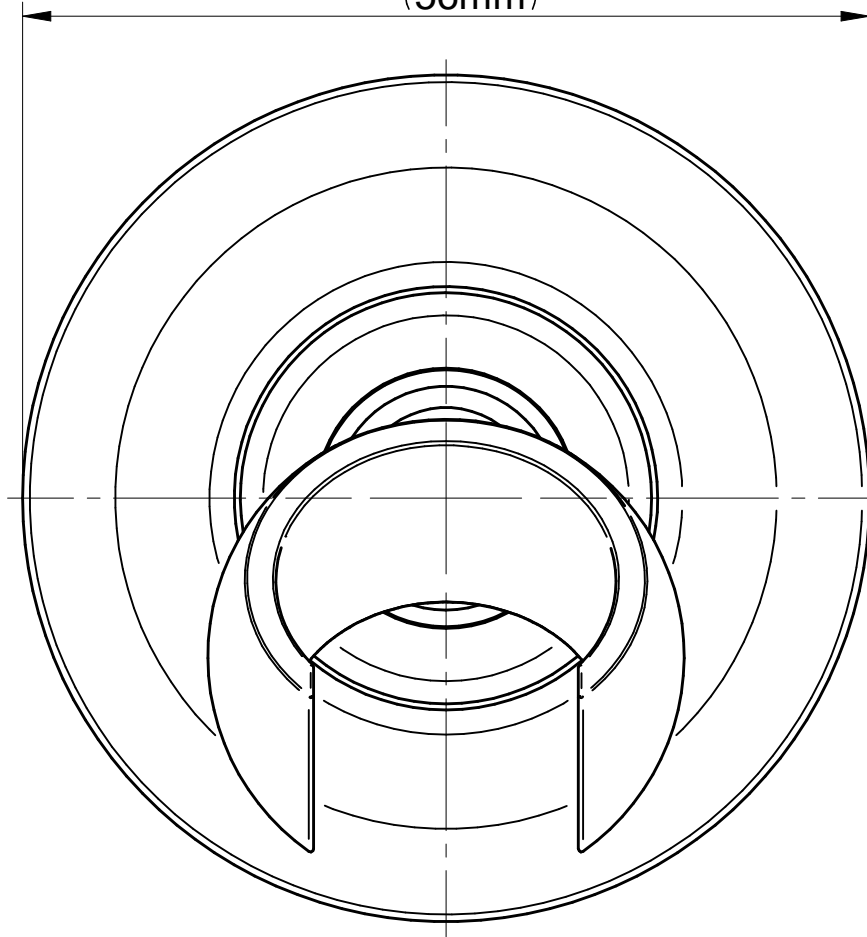
Finishes



G-8682

Camden Series

Ø 2-3/16"
(56mm)



3-15/16"
(100mm)

7/16"
(12mm)

