

BATHROOM
Camden Wall-Mounted Lavatory
Faucet w/Single Handle
G-6935-LM48W

GRAFF®



Information

- Wall-mount spout and handle installation
- Aerated flow rate ≤ 1.2 max gpm
- 7-1/8" spout reach
- Handle may be installed on left or right of spout
- Drain assembly not included
- Optional matching decorative trap G-9973
- Optional extension kit
- ADA
- CALGreen



Product Features

- Wall-mount spout and handle installation
- Aerated flow rate ≤ 1.2 max gpm
- 7-1/8" Spout reach
- Handle may be installed on left or right of spout
- Drain assembly not included

Available Finishes

- Polished Chrome
G-6935-LM48W-PC
- Brushed Nickel
G-6935-LM48W-BNi
- Polished Nickel
G-6935-LM48W-PN
- Olive Bronze
G-6935-LM48W-OB
- Unfinished Brass*
G-6935-LM48W-UB*
- Gold*
G-6935-LM48W-AU*
- Brushed Gold*
G-6935-LM48W-BAU*

Optional Accessories

- Matching decorative trap
G-9973-**

*Special order finish - call for availability

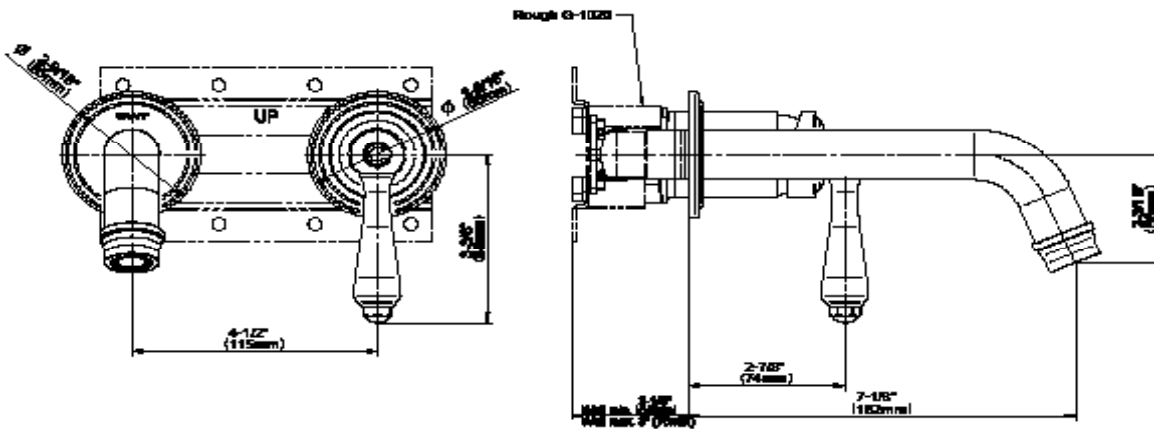
Code Compliance

- ADA
- CALGreen

Warranty

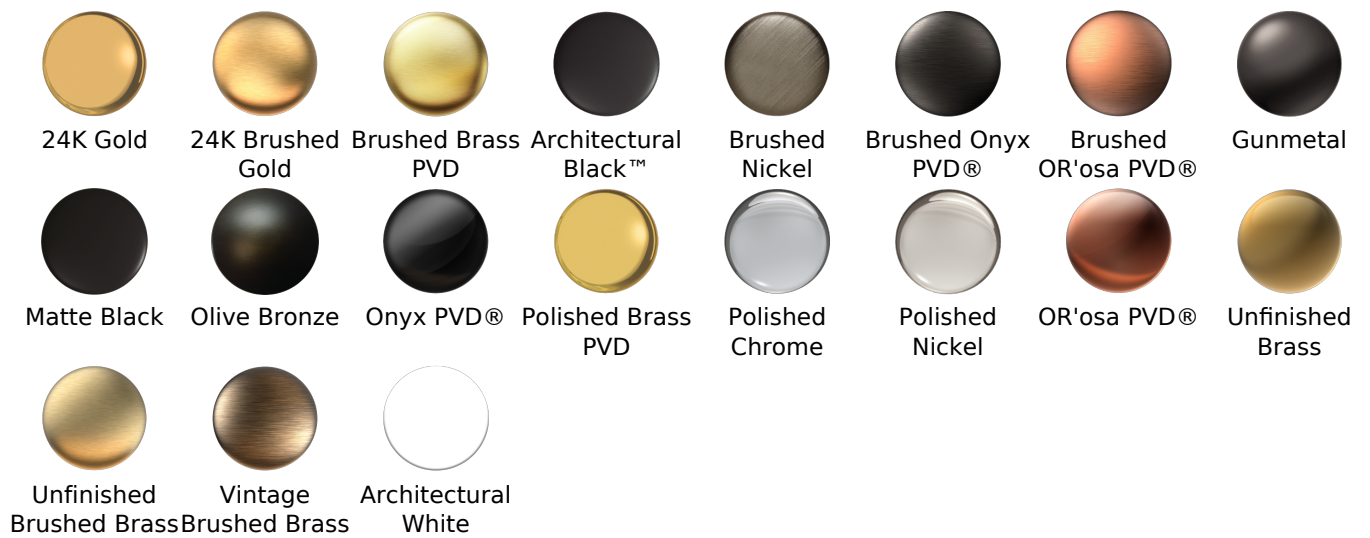
- Limited lifetime warranty

For complete warranty information go to <https://www.graff-faucets.com/en/info/faqs>





Finishes



G-1085
Rough Valve



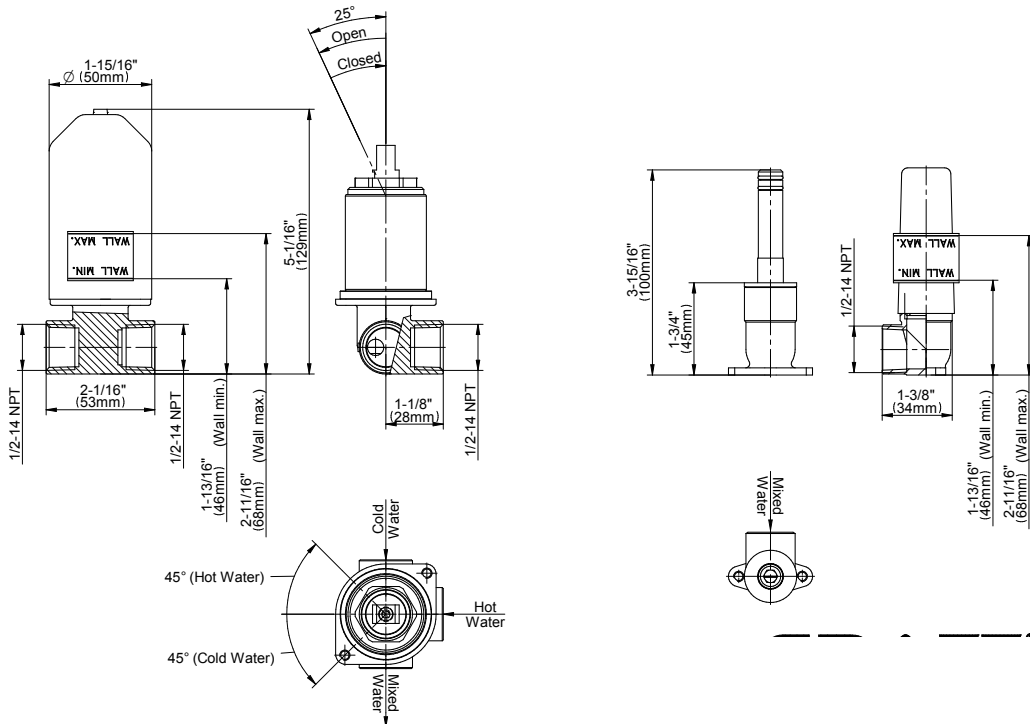
Product Features

- GPM depends on trim

Warranty

- Limited lifetime warranty

For complete warranty information go to <https://www.graff-faucets.com/en-nam/warranty>



The measurements shown are for reference only. Products and specifications shown are subject to change without notice. Revised 6/2018.

www.graff-designs.com | phone: 800-954-4723

BATHROOM
 Camden Wall-Mounted Lavatory
 Faucet w/Single Handle
G-6935-LM48W



Information

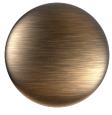
- Wall-mount spout and handle installation
- Aerated flow rate ≤ 1.2 max gpm
- 7-1/8" spout reach
- Handle may be installed on left or right of spout
- Drain assembly not included
- Optional matching decorative trap G-9973
- Optional extension kit
- ADA
- CALGreen

Finishes

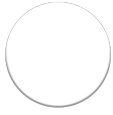




Unfinished
Brushed Brass



Vintage
Brushed Brass



Architectural
White



Product Features

- Wall-mount spout and handle installation
- Aerated flow rate ≤ 1.2 max gpm
- 7-1/8" Spout reach
- Handle may be installed on left or right of spout
- Drain assembly not included

Optional Accessories

- Matching decorative trap
G-9973-**

Available Finishes

- Polished Chrome
G-6935-LM48W-PC
- Brushed Nickel
G-6935-LM48W-BNi
- Polished Nickel
G-6935-LM48W-PN
- Olive Bronze
G-6935-LM48W-OB
- Unfinished Brass*
G-6935-LM48W-UB*
- Gold*
G-6935-LM48W-AU*
- Brushed Gold*
G-6935-LM48W-BAU*

*Special order finish - call for availability

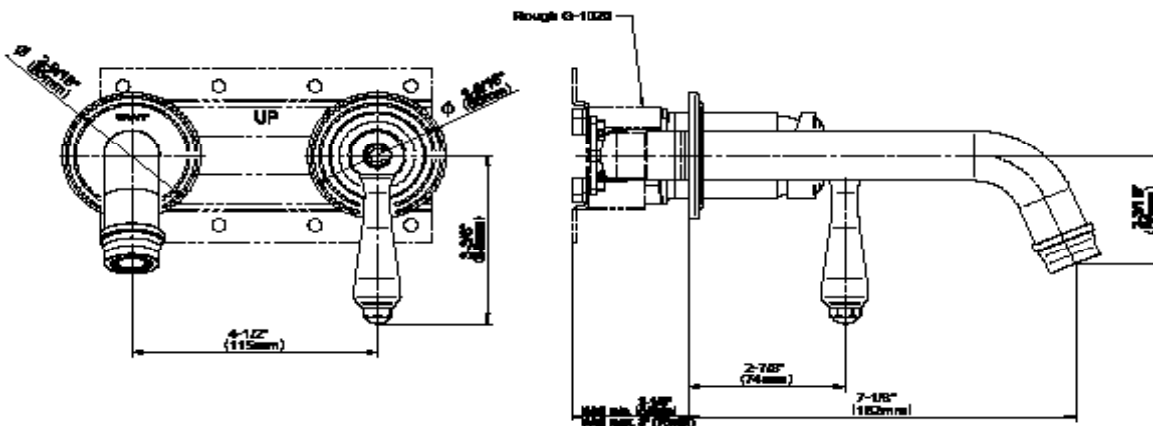
Code Compliance

- ADA
- CALGreen

Warranty

- Limited lifetime warranty

For complete warranty information go to
<https://www.graff-faucets.com/en/info/faqs>



The measurements shown are for reference only. Products and specifications shown are subject to change without notice. Revised 5/2018.

www.graff-designs.com | phone: 800-954-4723