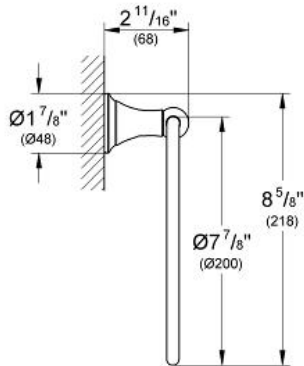


SEABURY  
Towel Ring  
MODEL # 40158

Pure Freude an Wasser

GROHE

GROHE America, Inc | 200 North Gary Avenue, Suite G, Roselle, IL 60172  
Phone: +1 (800) 444-7643 | Fax: +1 (800) 225-2778 | us-customerservice@grohe.com



**Product Description:**  
Towel Ring

**Standard Specification:**

- GROHE StarLight® finish

**Applicable Codes & Standards:**

- Energy Policy Act of 1992
- ASME A112.18.1/CSA B125.1

**Color:**

- 40158 000 chrome
- 40158 BE0 sterling / brilliant nickel
- 40158 EN0 brushed nickel
- 40158 ZB0 oil rubbed bronze