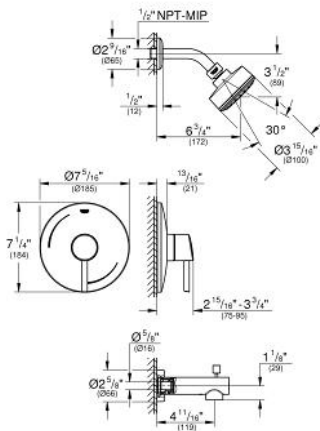


CONCETTO
Tub/Shower Combination
MODEL # 35073EN1

Pure Freude an Wasser



GROHE America, Inc | 200 North Gary Avenue, Suite G, Roselle, IL 60172
Phone: +1 (800) 444-7643 | Fax: +1 (800) 225-2778 | us-customerservice@grohe.com



Product Description:
Tub/Shower Combination

Standard Specification:

- GROHE StarLight® finish
- Metal lever handle
- New Tempesta shower head (26 366), 2.0 gpm
- 5 5/8" Tubular shower arm (27 414)
- Slip-fit diverter tub spout (13 366)
- CALGreen/CEC compliant
- For use with GrohSafe® rough-in valves (35 015), (35 064), (35 065), (35 066)

Applicable Codes & Standards:

- EPA WaterSense®
- CalGreen

Color:

- 35073EN1 EN1 brushed nickel