

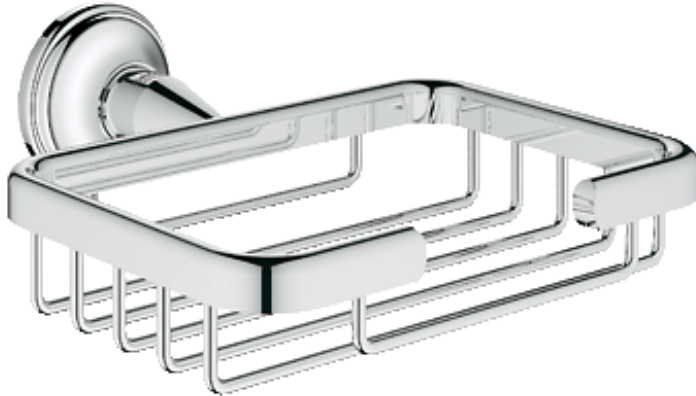
# ESSENTIALS AUTHENTIC Basket

MODEL # 40659

*Pure Freude an Wasser*



GROHE America, Inc | 200 North Gary Avenue, Suite G, Roselle, IL 60172  
Phone: +1 (800) 444-7643 | Fax: +1 (800) 225-2778 | us-customerservice@grohe.com



**Product Description:**  
Basket

**Standard Specification:**

**Color:**

- 40659 000 chrome
- 40659 EN0 Brushed Nickel

