

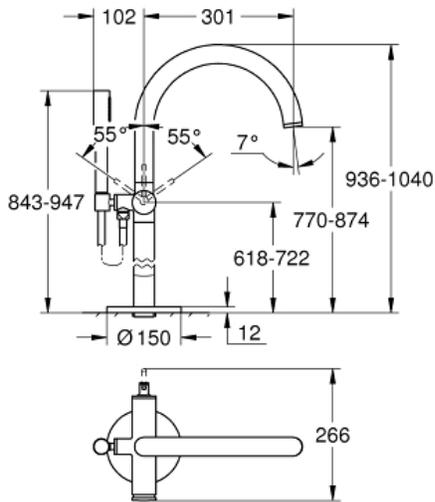
ATRIO Single-lever Bathtub Faucet, Floor Mounted

MODEL # 32653003

GROHE CANADA, INC. | 5900 Avebury Road, Mississauga, Ontario, Canada L5R 3M3
Phone: 905-271-2929 | Fax: 905-271-9494 | info@grohe.ca

Pure Freude
an Wasser

GROHE



Product Description:

ATRIO

Single-lever Bathtub Faucet, Floor Mounted

Standard Specification:

- Requires Rough-In Set (29 038 001) (sold separately)
- GROHE SilkMove 1.4" (35 mm) ceramic cartridge
- With temperature limiter
- GROHE StarLight chrome finish
- Automatic diverter: bath/shower
- Spout with flow control
- 11 7/8" (301 mm) spout reach
- 1/2" (13mm) Integrated non-return valve in the shower outlet
- With shower holder
- Hand shower Sena Stick (26 465), 1.75gpm
- Silverflex shower hose 49" (1250 mm)
- Protected against backflow
- Min. recommended pressure: 15 psi (1.0 bar)

Applicable Codes & Standards:

- Energy Policy Act of 1992
- ASME A112.18.1/CSA B125.1

Color:

- 32653003 StarLight Chrome