

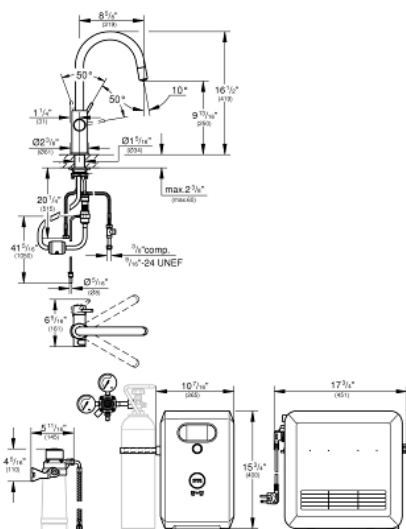
GROHE BLUE PROFESSIONAL Kitchen Faucet Starter Kit

MODEL # 31251002

Pure Freude
an Wasser

GROHE

GROHE CANADA, INC. | 5900 Avebury Road, Mississauga, Ontario, Canada L5R 3M3
Phone: 905-271-2929 | Fax: 905-271-9494 | info@grohe.ca



Product Description: GROHE BLUE PROFESSIONAL Kitchen Faucet Starter Kit

Standard Specification:

- GROHE SilkMove
- GROHE StarLight finish
- 419mm (16 1/2") faucet height
- 249mm (9 13/16") aerator height
- Pull-out spray
- 219mm (8 5/8") faucet reach
- Swivel area 360°
- Single hole installation
- Push buttons for 3 types of filtered and chilled water: still, medium, and sparkling
- Separate internal water ways for filtered and non-filtered water
- GROHE Blue Professional cooler
- Delivers 12 liters of chilled water per hour
- Color display with push and turn control
- 270 Watt cooling unit, 110 V AC
- Requires ventilation holes in the bottom of the kitchen cabinet
- Software set-up and monitoring of filter and CO2 capacity via GROHE Ondus app*
- Additional monitoring via GROHE Blue Professional Browser - Monitor possible with Bluetooth 4.0** and WiFi interface for wireless data communication
- For Apple*** and Android devices
- Bluetooth range (max. 10 m) varies depending on used materials and walls between transmitter and receiver
- Includes filter head with flexible water hardness adjustment
- 6.6 l/min (1.75 gpm)
- CALGreen compliant
- GROHE Blue Filter, CO2 tank and cleaning cartridge are not included
- System requirements

*WPA2 encrypted and password protected network, MAC address filters are not supported.

iPhone with iOS 9.0 or higher / smart phone with Android 4.3 or higher

Pure Freude
an Wasser

GROHE


GROHE CANADA, INC. | 5900 Avebury Road, Mississauga, Ontario, Canada L5R 3M3
Phone: 905-271-2929 | Fax: 905-271-9494 | info@grohe.ca

Mobile devices and GROHE Ondus App are not included in delivery and have to be ordered separately via an authorised Apple store/store/iTunes or Google Play store.

- The Bluetooth word mark and logos are registered trademarks owned by Bluetooth SIG, Inc. and any use of such marks by Grohe AG is under license. Other trademarks and trade names are those of their respective owners.
- ***Apple, the Apple logo, iPod, iPod Touch, iPhone and iTunes are trademarks of Apple Inc., registered in the U.S. and other countries. Apple is not responsible for the function of this device or its compliance with safety and regulatory standards

Applicable Codes & Standards:

- Energy Policy Act of 1992
- NSF 61
- ASME A112.18.1/CSA B125.1
- US Federal and State material regulations
- ICC/ANSI A117.1
- CalGreen
- LOGO CEC

Color:

- 31251002 StarLight Chrome