

PP9036SJ

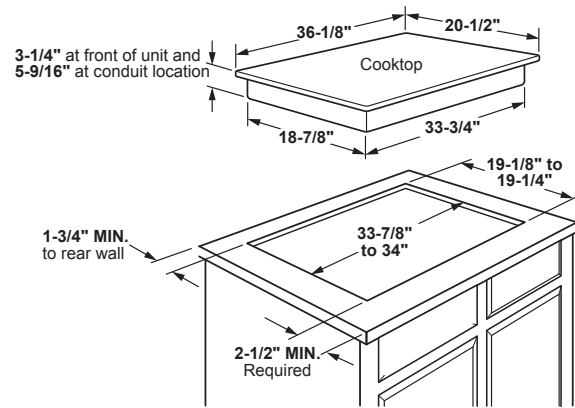
GE Profile™ Series 36" Built-In Touch Control Cooktop

DIMENSIONS AND INSTALLATION INFORMATION (IN INCHES)

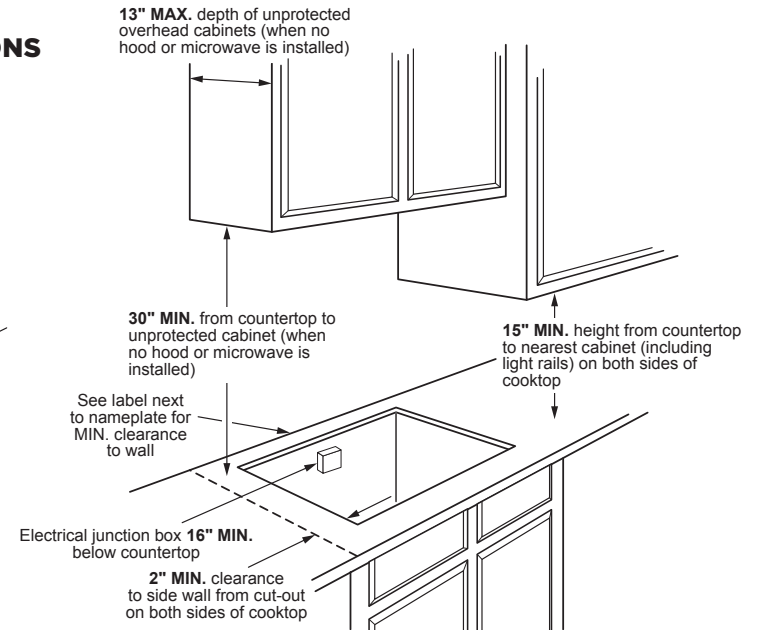
IMPORTANT: Requires a 5" free area between the bottom of the cooktop to any combustible material, i.e., shelving. Free area not required when installing wall oven underneath cooktop. Refer to installation instructions. Requires a 15" minimum from cooktop to adjacent overhead cabinets. Units are furnished with a 48" flexible armored cable.

NOTE: 36" Ribbon cooktops are approved for use over select GE 30" Single Wall Ovens and Warming Drawers. Refer to cooktop and wall oven/warming drawer installation instructions packed with product for current dimensional data. If installed with a GE Telescopic Downdraft System, consult both the cooktop and downdraft installation instructions packed with product before installing. Cooktop gas/electric supply may need to be re-routed to install downdraft. The countertop cutout requires 23-1/2" minimum flat countertop surface and 25" minimum total countertop depth. In addition, other clearances to front edge of the countertop must be considered. Before installing, consult installation instructions packed with product for current dimensional data.

APPROXIMATE COOKING DIMENSIONS



To insure accuracy, it is best to make a template when cutting the opening in the counter



VOLTAGE (60HZ AC)	240V	208V
CONNECTED LOAD (MAX.)	9.6kW	7.2kW
CURRENT DRAW (MAX.)	40.0 Amps	34.7 Amps
RECOMMENDED CIRCUIT BREAKER†	40 Amps	40 Amps

†NOTE: Check local codes for required breaker size.



For answers to your Monogram, GE Café™ Series, GE Profile™ Series or GE Appliances product questions, visit our website at geappliances.com or call GE Answer Center® Service, 800.626.2000.



PP9036SJ

GE Profile™ Series 36" Built-In Touch Control Cooktop

FEATURES AND BENEFITS

Five radiant cooking elements - Cook foods quickly and evenly on this sleek, glass surface

Glide touch controls - Precisely control heat instantly and easily with one swipe

6"/9"/12" tri-ring element - Use different pan sizes on this single, 3,000-watt flexible element

5"/8" Power Boil element - Use different pan sizes on this single, 2,400-watt flexible element that produces rapid powerful heat

SyncBurners - Control two 7" elements simultaneously to evenly heat large cookware or griddles*

Multi-element timer - Manage up to five pans at once with individual timers for each element

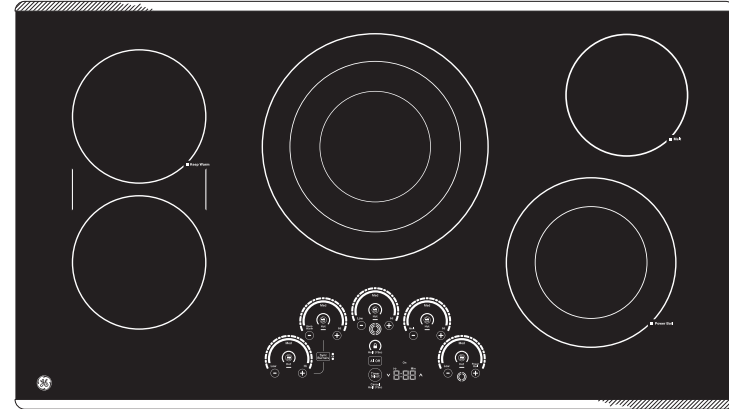
Control lock capability - Protects against unintended activation

Custom Settings - Personalize your cooktop settings to fit your cooking style

Red LED display with black glass surface and stainless steel trim - Achieve a modern look that complements the entire kitchen and other stainless steel appliances

Hot surface indicator lights - Know when elements are too hot to touch with a quick glance

Model PP9036SJSS - Stainless steel



*OPTIONAL STAINLESS STEEL CLAD ALUMINUM GRIDDLE

Achieve even results with this lightweight griddle, tailored to fit GE SyncBurners. Order part number JXGRIDL1 from your GE Dealer

GUARANTEED FIT

Replacing a similar cooktop from GE or another brand? GE cooktops are guaranteed for an exact fit to make replacement easy

Visit geappliances.com for more info

