

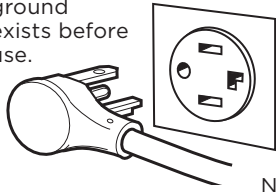
PSA9240SP

GE Profile Series Advantium[®] 240 Over-the-Range Oven

DIMENSION INFORMATION (IN INCHES)

IMPORTANT: PLEASE READ CAREFULLY. FOR PERSONAL SAFETY, THIS APPLIANCE MUST BE PROPERLY GROUNDED TO AVOID SEVERE OR FATAL SHOCK.

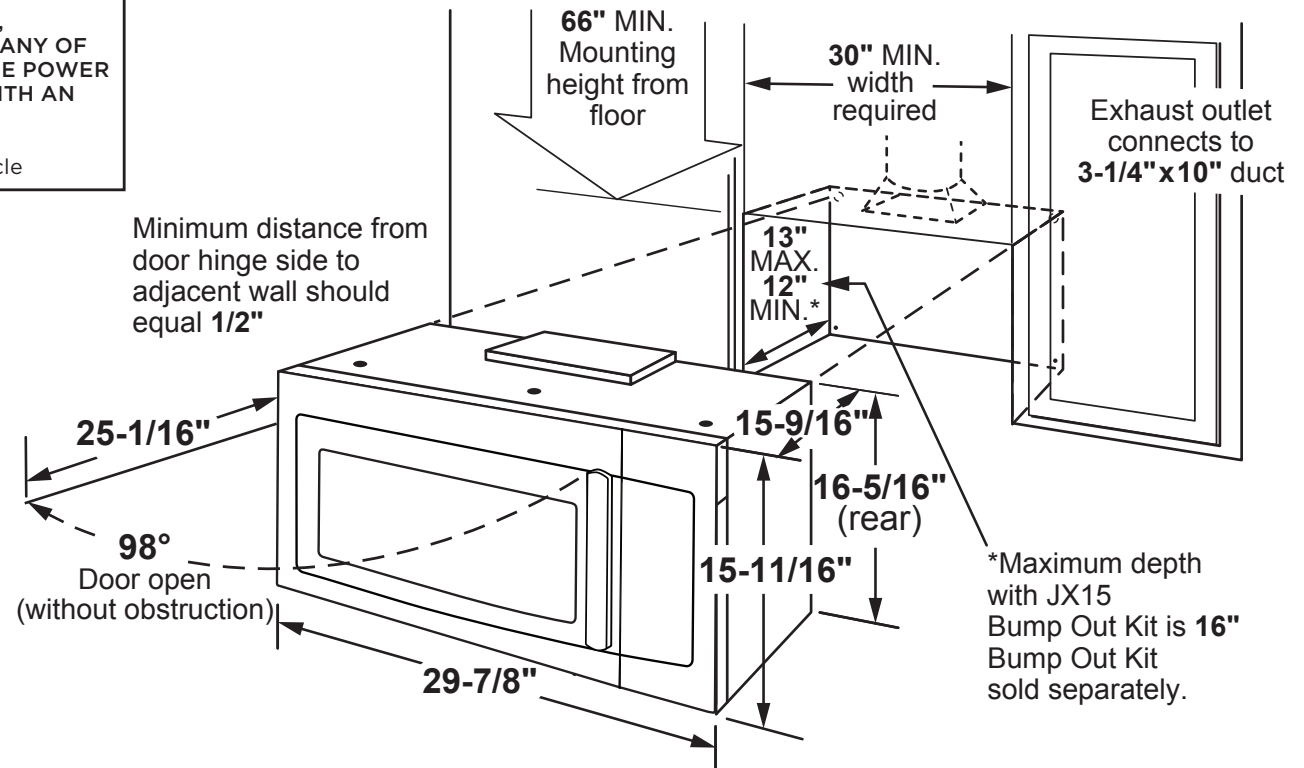
Insure proper ground exists before use.



NEMA 14-30R Wall Receptacle

DO NOT, UNDER ANY CIRCUMSTANCES, CUT, DEFORM, OR REMOVE ANY OF THE PRONGS FROM THE POWER CORD. DO NOT USE WITH AN EXTENSION CORD.

INSTALLATION INFORMATION: This information is not intended to be used for installing unit described. Before installing, consult installation instructions packed with product/kit for current dimensional data.



For answers to your Monogram, GE Cafe[™], GE Profile[™] or GE Appliances product questions, visit our website at geappliances.com or call GE Answer Center[®] Service, 800.626.2000.



Listed by Underwriters Laboratories

PSA9240SP

GE Profile Series Advantium® 240 Over-the-Range Oven

DIMENSION INFORMATION (IN INCHES)

HOOD EXHAUST DUCT

Outside ventilation requires a **HOOD EXHAUST DUCT**. Read the following carefully.

EXHAUST CONNECTION:

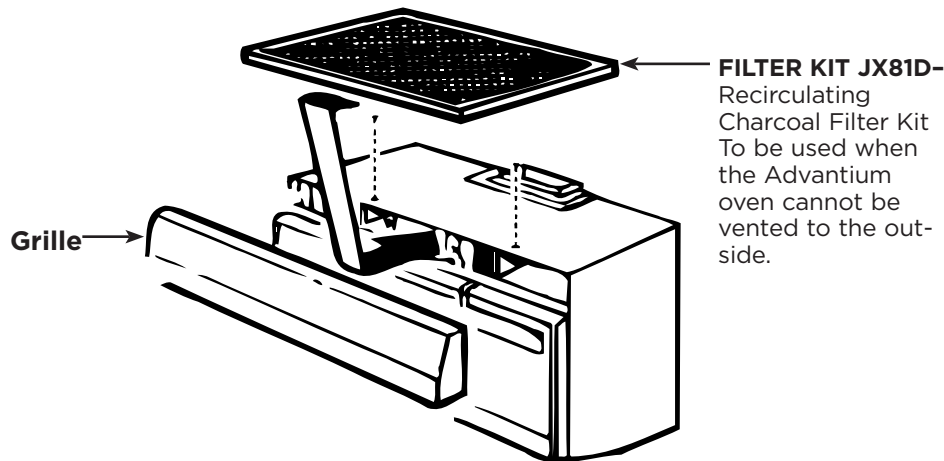
The hood exhaust has been designed to mate with a standard 3-1/4" x 10" rectangular duct.

If a round duct is required, a rectangular-to-round transition adaptor must be used. Do not use less than a 6" diameter duct.

REAR EXHAUST:

If a rear or horizontal exhaust is to be used, care should be taken to align exhaust with the space between studs, or wall should be prepared at the time it is constructed by leaving enough space between the wall studs to accommodate exhaust.

FILTER KIT ACCESSORY



MAXIMUM DUCT LENGTH:

For satisfactory air movement, the total duct length of 3-1/4" x 10" rectangular or 6" diameter round duct should not exceed 140 equivalent feet.

ELBOWS, TRANSITIONS, WALL AND ROOF CAPS, etc.,

present additional resistance to airflow and are equivalent to a section of straight duct which is longer than their actual physical size. When calculating the total duct length, add the equivalent length of all transitions and adaptors plus the length of all straight duct sections. The chart below shows the approximate feet of equivalent length of some typical ducts.

DUCT	EQUIVALENT
A. Rectangular-To-Round Transition Adaptor	5 Ft.
B. Wall Cap	40 Ft.
C. 90° Round Elbow	10 Ft.
D. 45° Round Elbow	5 Ft.
E. 90° Rectangular Elbow	25 Ft.
F. 45° Rectangular Elbow	5 Ft.
G. Roof Cap	24 Ft.



PSA9240SP

GE Profile Series Advantium® 240 Over-the-Range Oven

FEATURES AND BENEFITS

Speedcook oven (240) - Enjoy oven-quality results two to eight times faster than a conventional oven

4 Ovens-In-1) - Expand your cooking versatility with four ovens in one

Halogen Heat) - Skip the preheating with nearly instantaneous halogen heat

Over 175 Preprogrammed Recipes) - Preprogrammed recipes make meals easy

Custom Recipe Saver) -Conveniently store cooking instructions for up to 30 different recipes

Backlit controls are easy to read by displaying highly visible LCD readouts (Backlit controls are available on GE Profile and Monogram stainless steel and black above-the-cooktop models only.)

Includes speedcooking grill tray for preparing grilled items

Three-Speed, 300-CFM Venting System) - Quickly moves smoke and steam up from the cooktop

Model PSA9240SPSS - Stainless steel

