

PS960YPFS

GE Profile™ 30" Smart Slide-In Electric Double Oven Convection Fingerprint Resistant Range

DIMENSIONS AND INSTALLATION INFORMATION (IN INCHES)

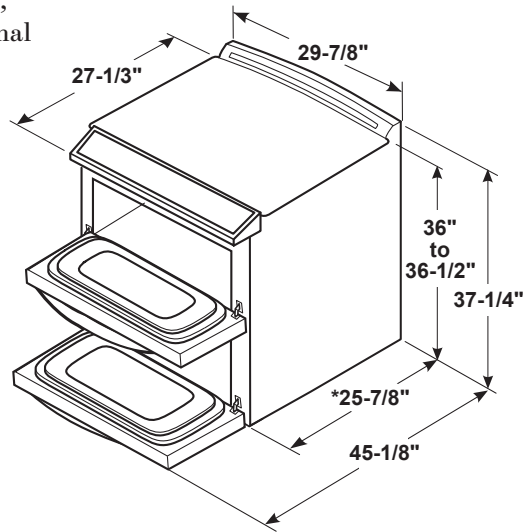
RECEPTACLE LOCATIONS: Locally approved flexible service cord or conduit must be used because terminals are not accessible after range installation. See shaded area in drawing for location of electrical outlet box. Recommended outlet locations allow range to be installed directly against rear wall.

NOTE: This appliance has been approved for 0" spacing to adjacent surfaces above the cooktop. However, a 6" minimum spacing to surfaces less than 15" above the cooktop and adjacent cabinet is recommended to reduce exposure to steam, grease splatter and heat.

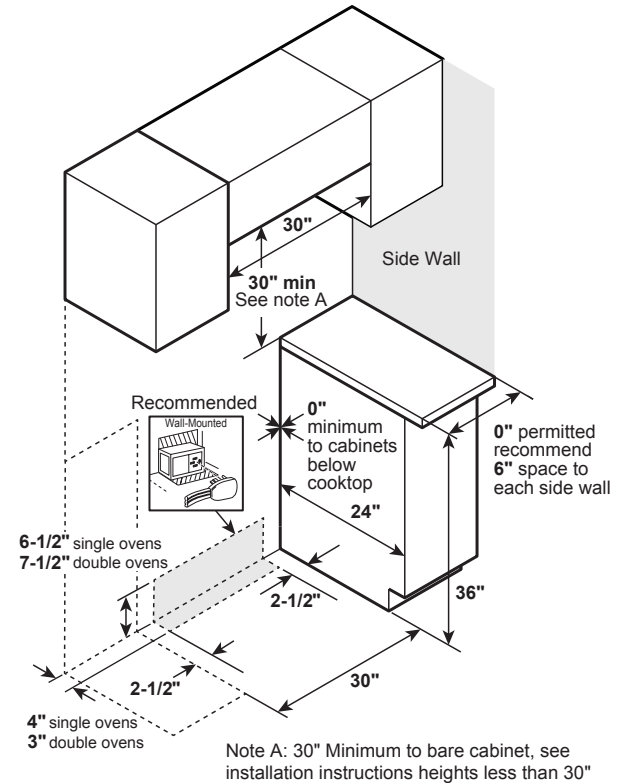
INSTALLATION INFORMATION: Before installing, consult installation instructions for current dimensional data and additional requirements

KW RATING	
240V	16.0
208V	12.0
BREAKER SIZE	
240V	40 Amps [†]
208V	40 Amps [†]

[†]**NOTE:** Check local codes for required breaker size.



*Depth including door handle is approximately 28 1/4".



For answers to your Monogram, GE Café™, GE Profile™ or GE Appliances product questions, visit our website at geappliances.com or call GE Answer Center® Service, 800.626.2000.



All GE Appliances ranges are equipped with an Anti-Tip device. The installation of this device is an important, required step in the installation of the range.



PS960YPFS

GE Profile™ 30" Smart Slide-In Electric Double Oven Convection Fingerprint Resistant Range

WIFI ENABLED FEATURES

No Preheat Air Fry – With this air fryer right in the oven, you can cook healthier, crispier versions of your favorite foods. There's no preheat required and it shortens the cook time because every minute counts

Built-In WiFi – This smart oven features built-in WiFi so you can control oven functions with the SmartHQ app on your smart device

Precision temperature probe – Monitor the progress of roasts and meats through the SmartHQ app on your smartphone for accurately cooked results

FEATURES AND BENEFITS

12"/9"/6" 3,600W Power Boil – Pots and pans fit perfectly on the flexible heating element

8"/5" and 8" synchronized elements – Control two elements with the touch of a single button and create a larger cooking surface for big cookware like griddles

Glide touch controls – Precisely control element temperature with just the swipe of a finger

Synchronized elements – Control two cooktop elements with a single button to create a bigger cooking surface for griddles

True Convection with Precise Air – Accurate heat circulation ensures evenly baked foods

Never-scrub oven racks – Long-lasting racks look great and can be cleaned at the same time as the oven

Fast preheat – Make hot meals in a hurry with less time preheating

6.7 cu. ft. total double oven capacity – An upper everyday oven preheats quickly while the larger lower oven is perfect for dinner parties and large meals

Hidden bake oven interior – Make cleanup easy by eliminating hard-to-reach areas

Model PS960YPFS – Fingerprint Resistant Stainless steel



GUARANTEED FIT

Replace your old 30" free-standing range with a new 30" slide-in model. GE slide-in ranges are guaranteed for an exact fit or GE Appliances will pay up to \$300 toward modifications.

Visit geappliances.com for more info

