

P2S930YP

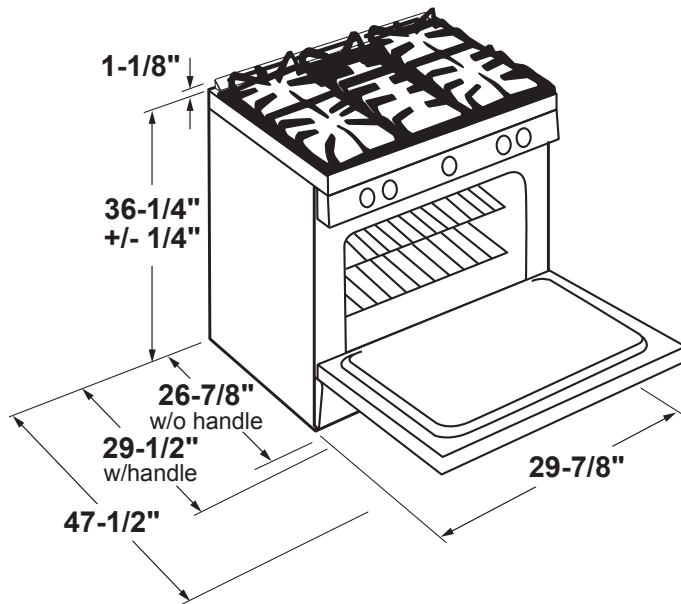
GE Profile™ 30" Smart Dual Fuel Slide-In Front-Control Fingerprint Resistant Range

DIMENSIONS AND INSTALLATION INFORMATION (IN INCHES)

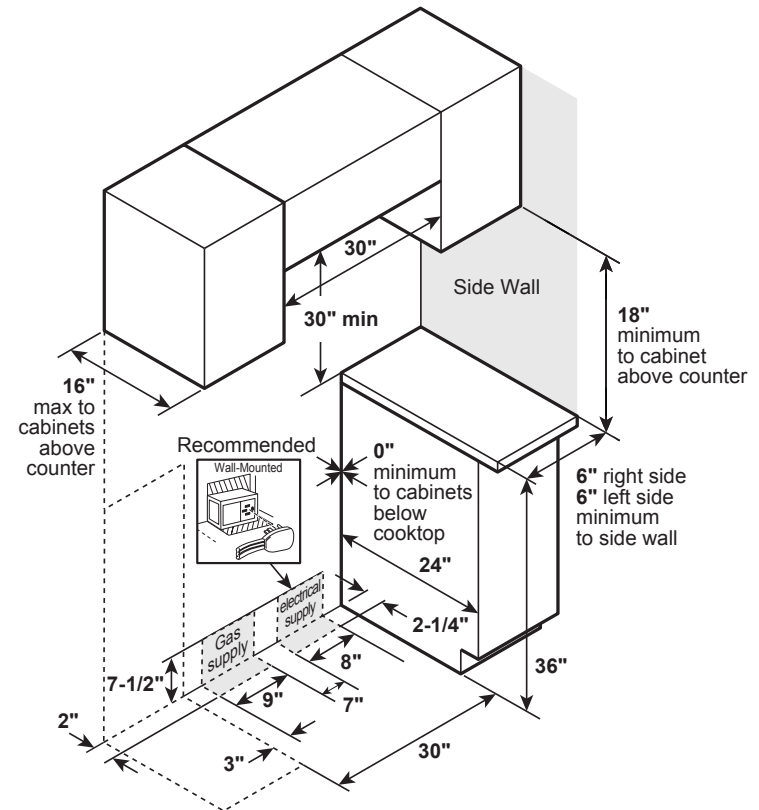
ELECTRICAL REQUIREMENTS: 240v/208v; 60Hz, 40A

INSTALLATION INFORMATION: Before installing, consult installation instructions packed with product for current dimensional data.

For all installations, install the required rear trim to back of range with 4 screws provided.



GAS PIPE AND ELECTRICAL OUTLET LOCATIONS



For answers to your Monogram, GE Café™, GE Profile™ or GE Appliances product questions, visit our website at geappliances.com or call GE Answer Center® Service, 800.626.2000.



All GE ranges are equipped with an Anti-Tip device. The installation of this device is an important, required step in the installation of the range.

P2S930YP

GE Profile™ 30" Smart Dual Fuel Slide-In Front-Control Fingerprint Resistant Range

FEATURES AND BENEFITS

Fingerprint Resistant Stainless – A stainless finish that makes it easy to keep your appliances free of smudges and prints

Fit Guarantee – This dual fuel range will fit your existing 30" cut-out, or GE Appliances will help pay for modifications up to \$300

Edge-to-Edge Cooktop – Continuous, edge-to-edge cooktop give you a large cooking space and can handle any cookware

Tri-Ring Burner – A versatile burner offers three different-sized flame rings on a single burner element, so it's like having three burners in one

Reversible Grill and Griddle – This extra-large, reversible griddle and grill combination lets you enjoy the best in cooking versatility

Dual Purpose Center Burner – This flexible gas cooktop burner lets you choose between round and oval burner shapes

Backlit Glass Touch Controls – Backlit touch controls give this oven a high-tech look with a display that disappears when not in use and reappears when touched

Synchronized Clocks and Lights – Synchronize your oven and GE Appliances over-the-range microwave so that clocks are always matching and lights and ventilation automatically come on when a burner is activated with Chef Connect

True Convection with Precise Air – This oven features True Convection, an advanced convection system that uses a third heating element and reversing fan for the highest level of heat and air circulation

Model P2S930YPFS – Fingerprint Resistant Stainless

WIFI ENABLED FEATURES

No Preheat Air Fry – With this air fryer right in the oven, you can cook healthier, crispier versions of your favorite foods. There's no preheat required and it shortens the cook time because every minute counts

Built-in WiFi – This smart oven features built-in WiFi so you can control oven functions with the SmartHQ app on your smart device



Visit geappliances.com for more info

