

# Installation Instructions

## Advantium® 120V Built-In SpeedCook Ovens

PSB9120DF  
PSB9120SF  
ZSC1201  
ZSC1202

Español

For a Spanish version of this manual, visit  
our Website at [GEAppliances.com](http://GEAppliances.com).

Para consultar una versión en español de este  
manual de instrucciones, visite nuestro sitio de  
internet [GEAppliances.com](http://GEAppliances.com).

49-40688-2  
MFL59060909

08-13 GE

# Safety Information

## BEFORE YOU BEGIN

Read these instructions completely and carefully.

**IMPORTANT** – Save these instructions for local inspector’s use.

**IMPORTANT** – Observe all governing codes and ordinances.

- **Note to Installer** – Be sure to leave these instructions with the Consumer.
- **Note to Consumer** – Keep these instructions with your Owner’s Manual for future reference.
- **Skill Level** – Installation of this appliance requires basic mechanical and electrical skills.
- **Completion Time – 1 Hour.**
- Proper installation is the responsibility of the installer. Product failure due to improper installation is not covered under the warranty. See Owner’s Manual for warranty information.

**NOTE:** This oven is only approved to be installed under the specific models as labeled on this unit.

**IMPORTANT** – Use this oven only for its intended purpose. Never use the oven for warming or heating a room. Prolonged use of the oven without proper ventilation can be hazardous.

### ⚠ CAUTION:

For personal safety, remove house fuse or oven circuit breaker before beginning installation to avoid severe or fatal shock injury.

### ⚠ CAUTION:

For personal safety, the mounting surface must be capable of supporting the cabinet load, in addition to the added weight of the 80-pound oven and 30-pound drawer, plus additional oven loads of up to 50 pounds or a total weight of up to 160 pounds.

### ⚠ CAUTION:

If installing the Advantium 120V Oven below 36”, you must use the **plastic** bottom trim due to burn risk to children. The plastic trim acts as insulation and will help prevent burns to children from hot surfaces.

### ⚠ CAUTION:

If installing the Advantium 120V Oven below 36”, do not remove the plastic door trim due to burn risk to children. The plastic trim acts as insulation and will help prevent burns to children from hot surfaces.

## CONTENTS

### Design Information

Models Available.....	2
Product Dimensions and Clearances.....	4
Tools and Parts Required.....	4
Parts Supplied.....	4
Advance Planning.....	4

### Installation Preparation

Electrical Requirements.....	5
Preparing the Opening (Installation without an accessory storage drawer).....	6-9
Preparing the Opening (Installation with an accessory storage drawer).....	10-13
Installation Under a 36” Cooktop.....	13

### Installation Instructions

Step 1, Remove Packaging and Parts.....	14
Step 2, Door Trim Removal for above 36” Installation only.....	15
Step 3, Slide the Oven into the Cutout.....	15
Step 4, Install Bottom Trim.....	16
Step 5, Install Bottom Trim with Accessory Drawer.....	16
Step 6, Install Mounting Screws.....	16
Step 7, Finalize Installation.....	16

## MODELS AVAILABLE

### Profile Models:

PSB9120DFWW–White\*  
PSB9120DFBB–Black  
PSB9120SFSS–Stainless Steel

### Monogram Models:

ZSC1201SS–Stainless Steel  
ZSC1202SS–Stainless Steel\*\*

\*No color-matched drawer available for this model.

\*\*This unit cannot be installed with an accessory storage drawer.

## ANTES DE COMENZAR

Lea estas instrucciones por completo y con detenimiento.

**IMPORTANTE** — Guarde estas instrucciones para el uso de inspectores locales.

**IMPORTANTE** — Cumpla con todos los códigos y ordenanzas vigentes.

- **Nota al instalador** — Asegúrese de dejar estas instrucciones con el Consumidor.
- **Nota al consumidor** — Mantenga estas instrucciones con el Manual del Propietario para referencia futura.
- **Nivel de capacidad** — La instalación de este aparato requiere capacidades mecánicas y eléctricas básicas.
- **Tiempo de finalización — 1 hora.**
- El instalador tiene la responsabilidad de efectuar una instalación adecuada. La Garantía no cubre las fallas del producto debido a una instalación incorrecta. Ver el Manual del Propietario para información sobre la garantía.

**NOTA:** Este horno sólo puede instalarse debajo de los modelos específicos como se indica en la etiqueta de esta unidad.

**IMPORTANTE** — Utilice este horno sólo con el objetivo para el que fue creado. Nunca use el horno para entibiar o calentar una habitación. El uso prolongado del horno sin una ventilación adecuada puede resultar peligroso.

### **⚠ PRECAUCIÓN:**

Para seguridad personal, quite el fusible o el interruptor de circuitos de la vivienda antes de comenzar la instalación a fin de evitar una lesión grave o fatal.

### **⚠ PRECAUCIÓN:**

Para seguridad personal, la superficie de montaje debe poder soportar la carga del gabinete, además de las 80 libras del horno y las 30 libras del cajón, más las cargas adicionales del horno de hasta 50 libras o un peso total de hasta 160 libras.

### **⚠ PRECAUCIÓN:**

Si va a instalar el horno Advantium de 120V debajo de 36", usted debe utilizar el reborde inferior **plástico** debido al riesgo de quemaduras para los niños. El reborde plástico actúa como aislante y evitará que los niños sufran quemaduras provocadas por las superficies calientes.

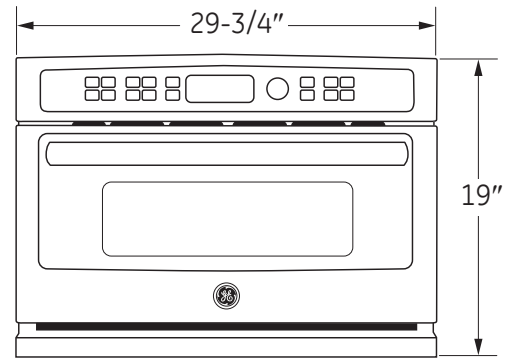
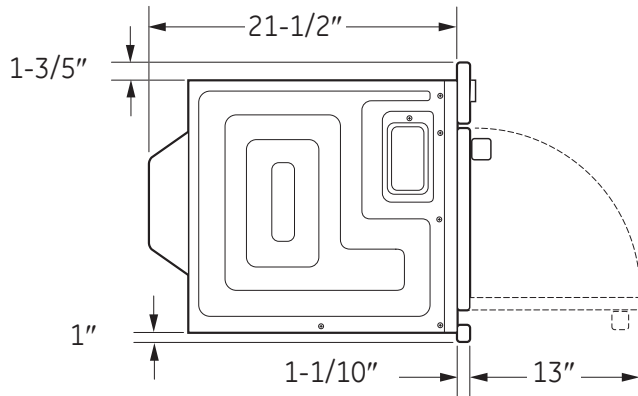
### **⚠ PRECAUCIÓN:**

Si va a instalar el horno Advantium de 120V debajo de 36", usted no debe quitar el reborde plástico de la puerta debido al riesgo de quemaduras para los niños. El reborde plástico actúa como aislante y evitará que los niños sufran quemaduras provocadas por las superficies calientes.

# Design Information

## PRODUCT DIMENSIONS AND CLEARANCES

NOTE: Appearance will vary by model.



## TOOLS AND PARTS REQUIRED (NOT SUPPLIED)

- #2 Phillips screwdriver
- Hand-held drill
- High speed drill bit, 3/32" diameter
- 3/8" slot-head screwdriver
- Level
- Saw
- 2 x 4 or 2 x 2 lumber for installing runners or 3/8" plywood for floor (if required)
- Wood screws or other hardware for installing runner or shelf to support oven (if required)
- Safety glasses or goggles

## PARTS SUPPLIED

- 6 screws (3 required, 3 extra)
- 5 color-matched screws (4 required, 1 extra)
- Bottom trim (2)

## ADVANCE PLANNING

- These ovens may be installed directly into a 30" wide oven cabinet.
- Cutout dimensions are NOT the same for installation with or without an accessory storage drawer. Make sure to use the correct cutout when preparing the opening.
- **NOTE:** ZSC1202 models CANNOT be installed with an accessory storage drawer. See Installation Preparation Without an Accessory Storage Drawer for this model.
- Allow for clearance to adjacent corners, walls, drawers, etc.

The oven must be securely installed in a cabinet that is firmly attached to the house structure. Weight on the oven door could cause the oven to tip and result in injury. Never allow anyone to climb, sit, stand or hang on the oven door.

If installing the drawer accessory, the drawer must be assembled to the oven prior to installation into the cabinet. See the *Accessory Storage Drawer Assembly Instructions*.

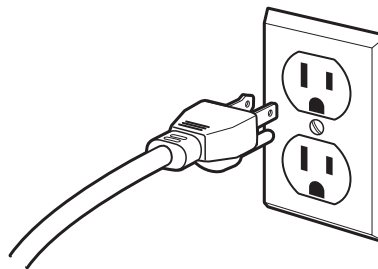
# Installation Preparation

## ELECTRICAL REQUIREMENTS

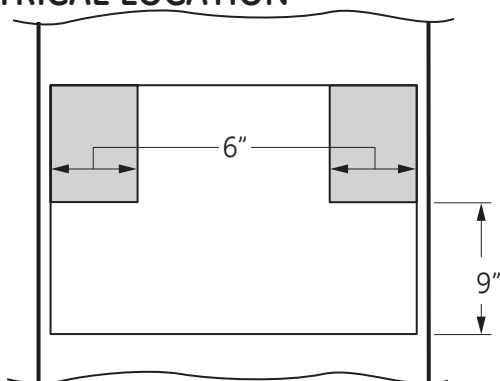
### Single Advantium 120 Installation:

This product requires a 120-volt, 60 Hz, 15-amp circuit and draws 1.8 kilowatts. This product must be connected to a supply circuit of the proper voltage and frequency.

- Wire size must conform to the requirements of the National Electrical Code or the prevailing local code for this kilowatt rating.
- The power supply cord and plug should be brought to a separate 15 or 20 ampere branch circuit single grounded receptacle. The outlet box should be located within reach of the 48" power cord.



## ELECTRICAL LOCATION



Locate outlet box in the shaded area

Install a recessed electrical outlet in the back wall of the opening within 6" of either side and at least 9" above the cutout floor.

## GROUNDING INSTRUCTIONS

This appliance must be grounded. In the event of an electrical short circuit, grounding reduces the risk of electric shock by providing an escape wire for electric current. This appliance is equipped with a cord having a grounding wire with a grounding plug. The plug must be plugged into an outlet that is properly installed and grounded.

**⚠ WARNING: Improper use of the grounding plug can result in a risk of electric shock.**

**⚠ ¡ADVERTENCIA!: El uso inadecuado del enchufe de conexión a tierra puede provocar un riesgo de descarga eléctrica.**

### Important: (Please read carefully).

The power cord of this appliance is equipped with a three-prong (grounding) plug that mates with a standard three-prong grounding wall receptacle to minimize the possibility of electric shock. Consult a qualified electrician or serviceman if the grounding instructions are not completely understood, or if doubt exists as to whether the appliance is properly grounded.

- Where a standard two-prong wall receptacle is encountered, it is the personal responsibility and obligation of the consumer to have it replaced with a properly grounded three-prong wall receptacle.

Do not, under any circumstances, cut or remove the third (ground) prong from the power cord.

**DO NOT USE AN EXTENSION CORD.** If the power supply cord is too short, have a qualified electrician or serviceman install an outlet near the appliance.

# Installation Preparation

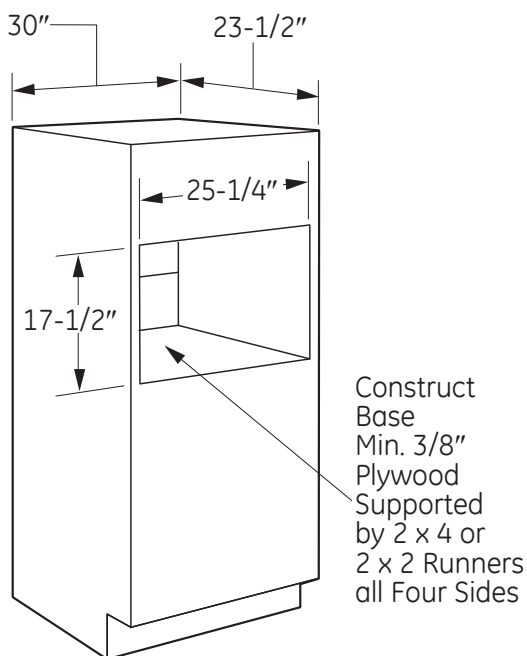
## Preparation WITHOUT an Accessory Storage Drawer

### PREPARE THE OPENING

The Advantium 120V can be installed in combination with other GE/Monogram appliances. Always follow each product's Installation Instructions to complete the installation.

#### Single Advantium 120V Installation:

Order a 30" wide single oven cabinet or cut the opening in a wall to the dimensions shown.



- Allow 2-1/8" case trim overlap on the sides, 1-1/16" overlap on the top and 7/8" overlap on the bottom of the opening for all models.
- Oven overlaps will conceal cut edges on all sides of the opening.

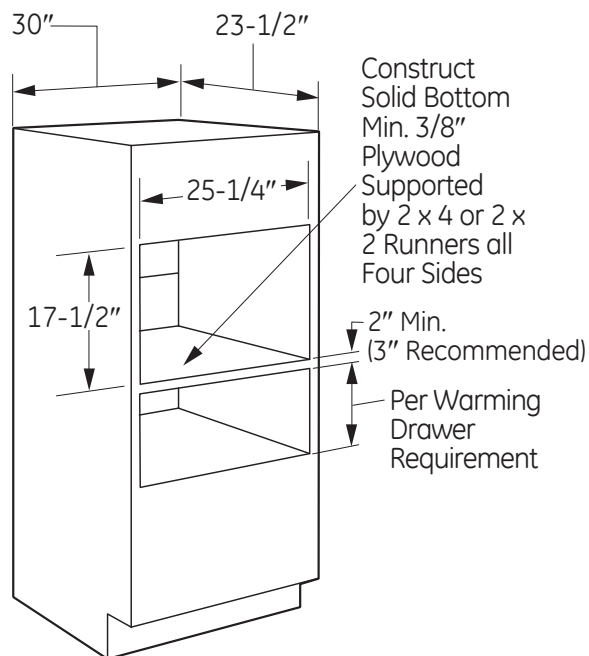
When installed over a single oven or a warming drawer, allow at least 2" between the two openings. This separation will provide clearance for bottom overlap of the Advantium 120V and the other appliance overlaps.

Construct a solid oven floor of 3/8" min. thick plywood supported by 2 x 4 or 2 x 2 runners on all sides.

- The support must be level and rigidly mounted, flush with the bottom edge of the cutout.

### PREPARE THE OPENING (cont.)

#### Installation over a GE/Monogram Warming Drawer:



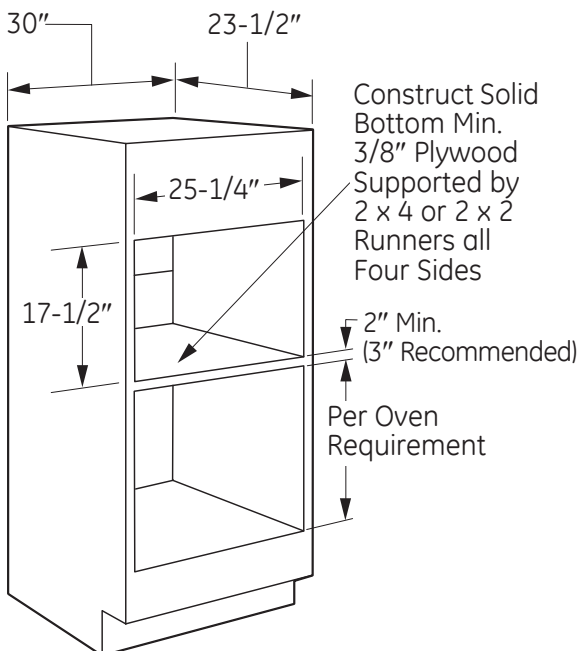
**NOTE:** Additional clearances between the cutouts may be required. Check to be sure the oven supports above the Warming Drawer location do not obstruct the required interior depth and height. See Warming Drawer installation instructions for details.

# Installation Preparation

## Preparation WITHOUT an Accessory Storage Drawer

### PREPARE THE OPENING (cont.)

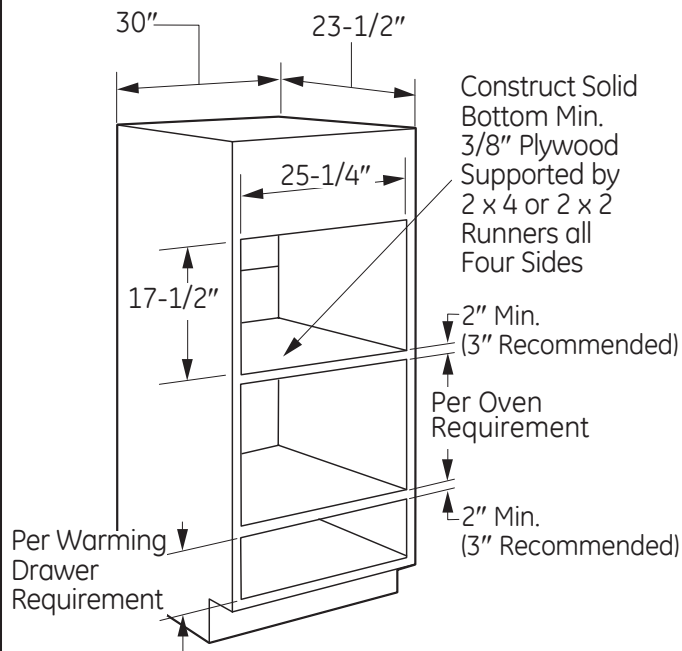
Installation over a GE/Monogram oven:



- If you are replacing a GE/Monogram electric double oven with the combined installation of an Advantium 120V and a single oven, use the dimensions shown. The middle rail separating the two openings may need to be larger than the 2" minimum shown.

### PREPARE THE OPENING (cont.)

Installation over a GE/Monogram Oven and Warming Drawer:



**NOTE:** Additional clearances between the cutouts may be required. Check to be sure the oven supports above the Warming Drawer location do not obstruct the required interior depth and height. See Warming Drawer installation instructions for details.

**⚠ CAUTION:** For personal safety, the mounting surface must be capable of supporting the cabinet load, in addition to the added weight of this approximate 80-pound oven, plus additional oven loads of up to 50 pounds or a total weight of 130 pounds.

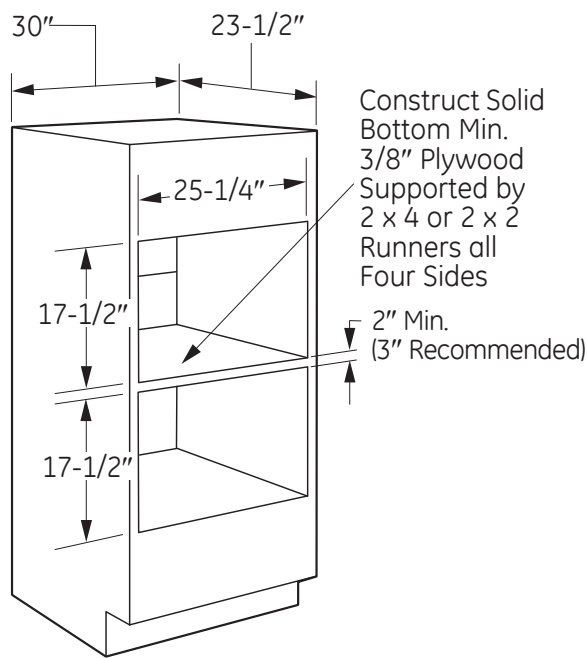
**⚠ PRECAUCIÓN:** Para seguridad personal, la superficie de montaje debe poder soportar la carga del gabinete, además del peso aproximado de 80 libras del horno, más las cargas adicionales del horno de hasta 50 libras o un peso total de hasta 130 libras.

# Installation Preparation

## Preparation WITHOUT an Accessory Storage Drawer

### PREPARE THE OPENING (cont.)

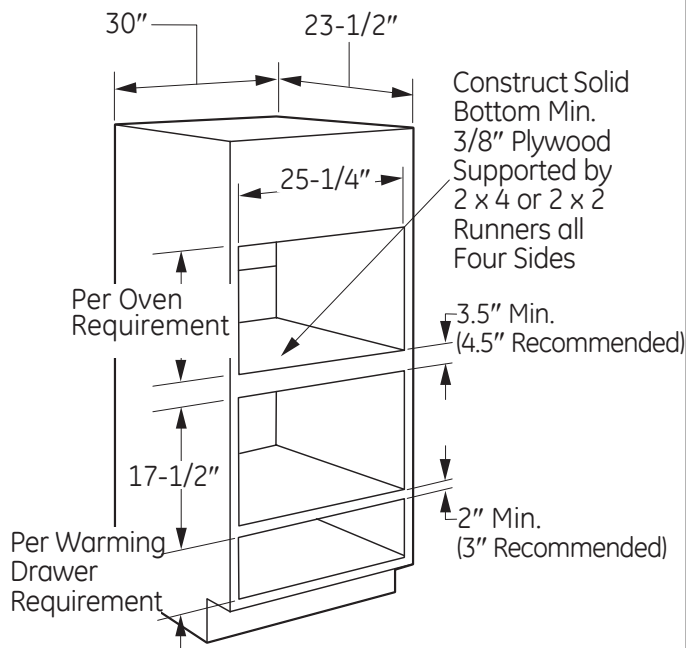
Installation over another GE/Monogram Under-the-Counter (UTC) oven:



- If you are mounting an Under-the-Counter GE/Monogram oven over another, use the dimensions shown. The middle rail separating the two openings may need to be larger than the 2" minimum shown.

### PREPARE THE OPENING (cont.)

Installation under a GE/Monogram Microwave Oven and over a Warming Drawer:



**NOTE:** Additional clearances between the cutouts may be required. Check to be sure the oven supports above the Warming Drawer location do not obstruct the required interior depth and height. See Warming Drawer installation instructions for details.

**⚠ CAUTION:** For personal safety, the mounting surface must be capable of supporting the cabinet load, in addition to the added weight of this approximate 80-pound oven, plus additional oven loads of up to 50 pounds or a total weight of 130 pounds.

**⚠ PRECAUCIÓN:** Para seguridad personal, la superficie de montaje debe poder soportar la carga del gabinete, además del peso aproximado de 80 libras del horno, más las cargas adicionales del horno de hasta 50 libras o un peso total de hasta 130 libras.



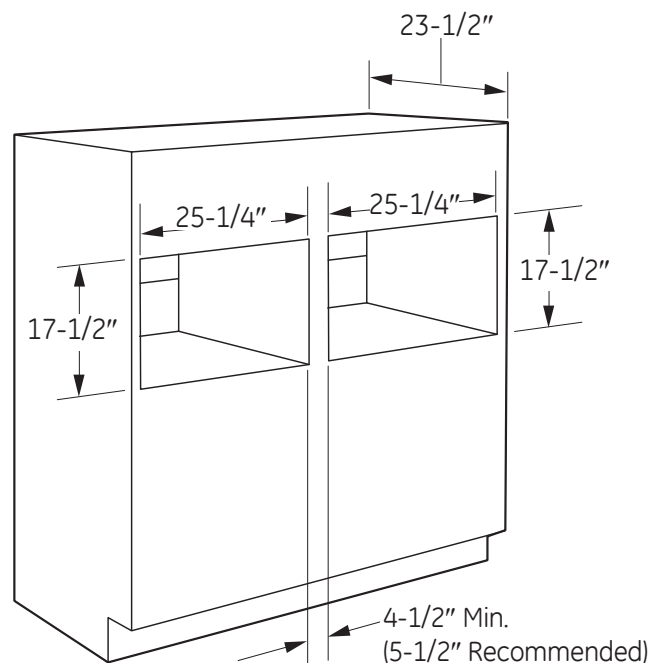
# Installation Preparation

## Preparation WITHOUT an Accessory Storage Drawer

### PREPARE THE OPENING (cont.)

#### Installation beside another GE/Monogram Built-in Speedcook Oven:

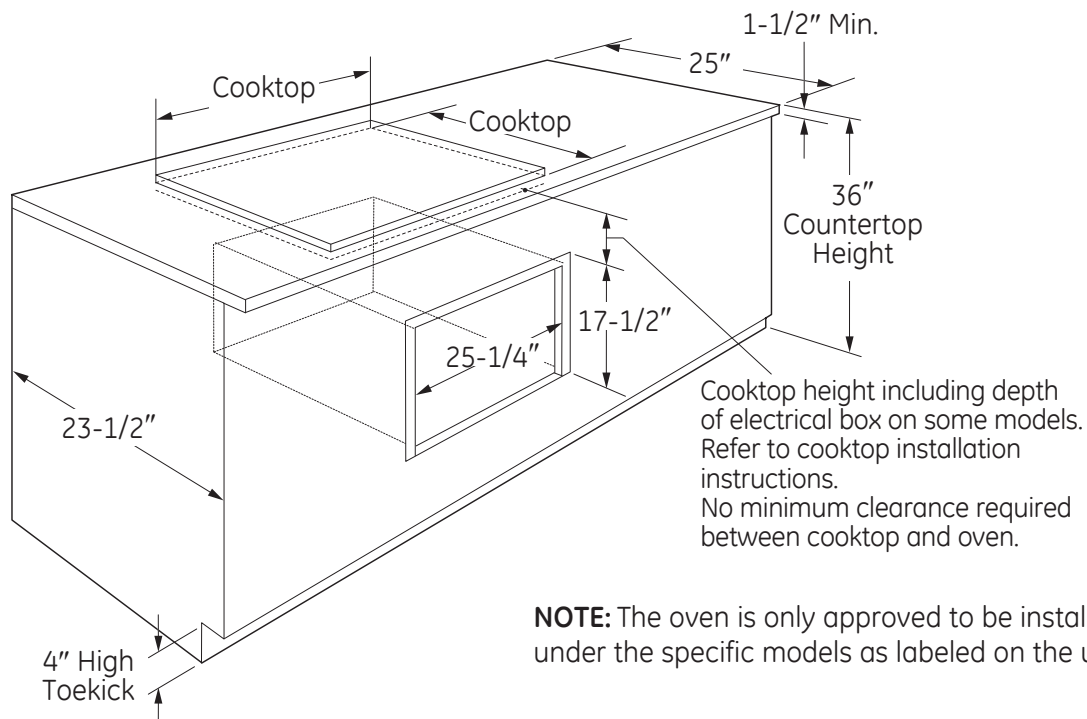
- If you are mounting one Under-the-Counter GE/Monogram oven beside the other, use the dimensions shown. The middle rail separating the two openings may need to be larger than the 4-1/2" minimum shown.



### PREPARE THE OPENING (cont.)

#### Installation under a GE/Monogram 30" or 36" Cooktop or Countertop:

Gas or electric cooktops may be installed over this oven. See cooktop installation instructions for the cutout size. See the label on top of the oven for approved cooktop models. This oven requires a separate, properly grounded 15-Amp, 120-Volt, 60Hz power supply. The cooktop requires a separate power supply. Use a 36" or wider base cabinet.



# Installation Preparation

## Preparation WITH an Accessory Storage Drawer

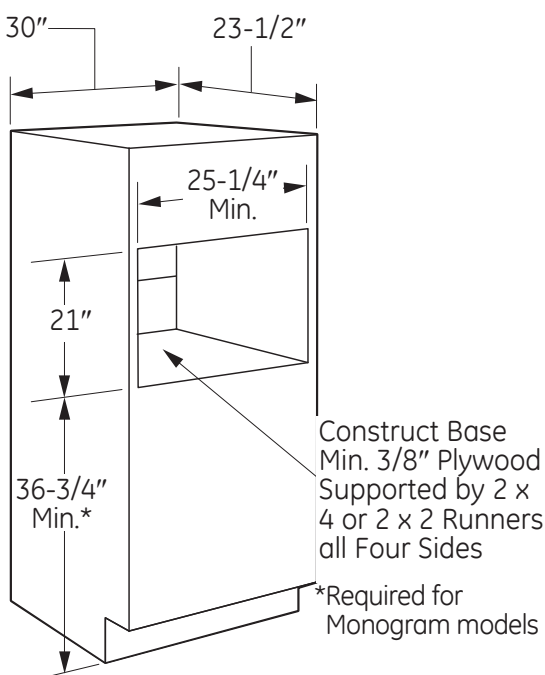
NOTE: MODEL ZSC1201 CAN ONLY BE INSTALLED WITH AN ACCESSORY STORAGE DRAWER IF INSTALLED ABOVE 36-3/4". MODEL ZSC1202 CANNOT BE INSTALLED WITH AN ACCESSORY STORAGE DRAWER. SEE INSTALLATION PREPARATION WITHOUT AN ACCESSORY STORAGE DRAWER FOR THIS MODEL.

### PREPARE THE OPENING (cont.)

The Advantium 120V can be installed in combination with other GE/Monogram appliances. Always follow each product's Installation Instructions to complete the installation.

#### Single Advantium 120V Installation:

Order a 30" wide single oven cabinet or cut the opening in a wall to the dimensions shown.



- Allow 2-1/8" case trim overlap on the sides, 1-1/16" overlap on the top and 7/8" overlap on the bottom of the opening for all models.
- Oven overlaps will conceal cut edges on all sides of the opening.

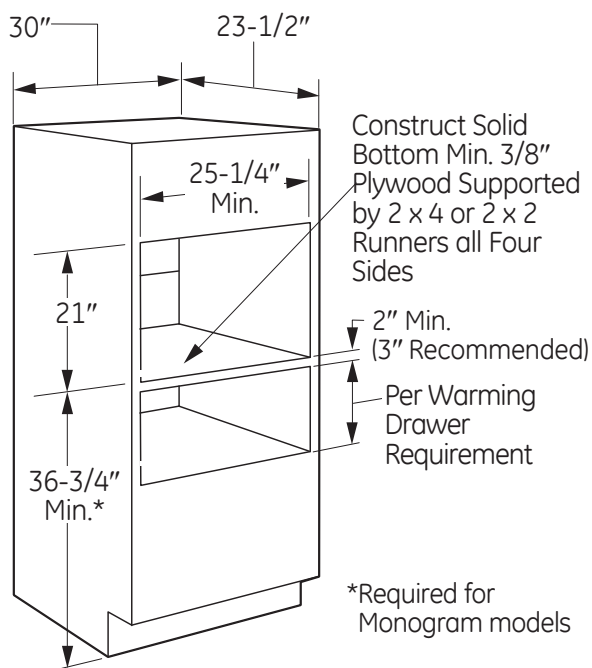
When installed over a single oven or a warming drawer, allow at least 2" between the two openings. This separation will provide clearance for bottom overlap of the Advantium 120V and the other appliance overlaps.

Construct a solid oven floor of 3/8" min. thick plywood supported by 2 x 4 or 2 x 2 runners on all sides.

- The support must be level and rigidly mounted, flush with the bottom edge of the cutout.

### PREPARE THE OPENING (cont.)

#### Installation over a GE/Monogram Warming Drawer:



**NOTE:** Additional clearances between the cutouts may be required. Check to be sure the oven supports above the Warming Drawer location do not obstruct the required interior depth and height. See Warming Drawer installation instructions for details.

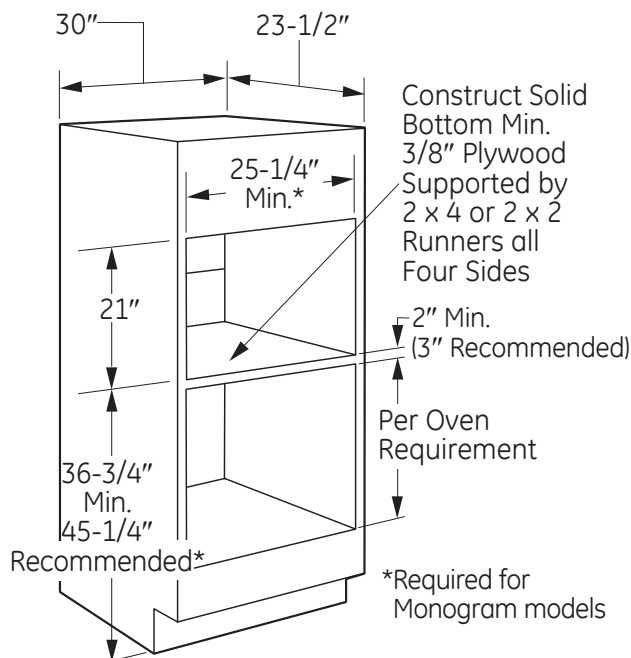
# Installation Preparation

## Preparation WITH an Accessory Storage Drawer

NOTE: MODEL ZSC1201 CAN ONLY BE INSTALLED WITH AN ACCESSORY STORAGE DRAWER IF INSTALLED ABOVE 36-3/4".  
MODEL ZSC1202 CANNOT BE INSTALLED WITH AN ACCESSORY STORAGE DRAWER. SEE INSTALLATION PREPARATION WITHOUT AN ACCESSORY STORAGE DRAWER FOR THIS MODEL.

### PREPARE THE OPENING (cont.)

Installation over a GE/Monogram Oven:

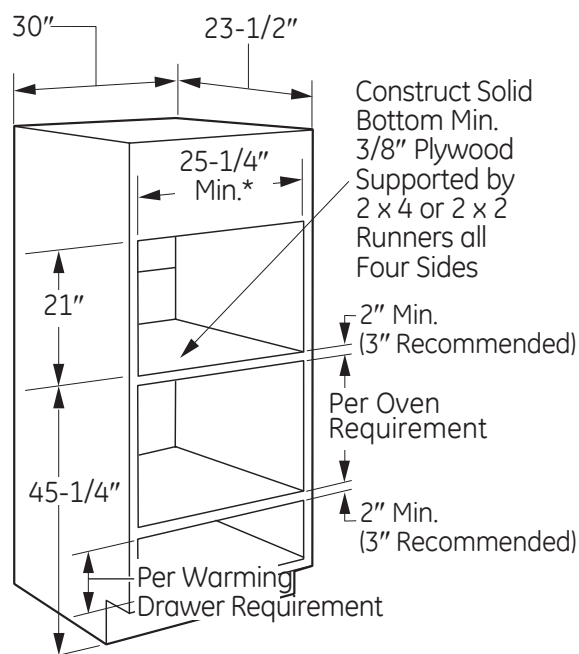


\* For existing cutouts, a maximum width of 28-1/2" is acceptable. If the opening is slightly wider, secure a furring strip on each side of the cutout for securing the oven.

- If you are replacing a GE/Monogram electric double oven with the combined installation of an Advantium 120V and a single oven, use the dimensions shown. The middle rail separating the two openings may need to be larger than the 2" minimum shown.

### PREPARE THE OPENING (cont.)

Installation over a GE/Monogram Oven and Warming Drawer:



\* For existing cutouts, a maximum width of 28-1/2" is acceptable. If the opening is slightly wider, secure a furring strip on each side of the cutout for securing the oven.

**NOTE:** Additional clearances between the cutouts may be required. Check to be sure the oven supports above the Warming Drawer location do not obstruct the required interior depth and height. See Warming Drawer installation instructions for details.

**⚠ CAUTION:** For personal safety, the mounting surface must be capable of supporting the cabinet load, in addition to the added weight of this approximate 80-pound oven and 30-pound drawer, plus additional oven loads of up to 50 pounds or a total weight of 160 pounds.

**⚠ PRECAUCIÓN:** Para seguridad personal, la superficie de montaje debe poder soportar la carga del gabinete, además del peso aproximado de 80 libras del horno y las 30 libras del cajón, más las cargas adicionales del horno de hasta 50 libras o un peso total de hasta 160 libras.

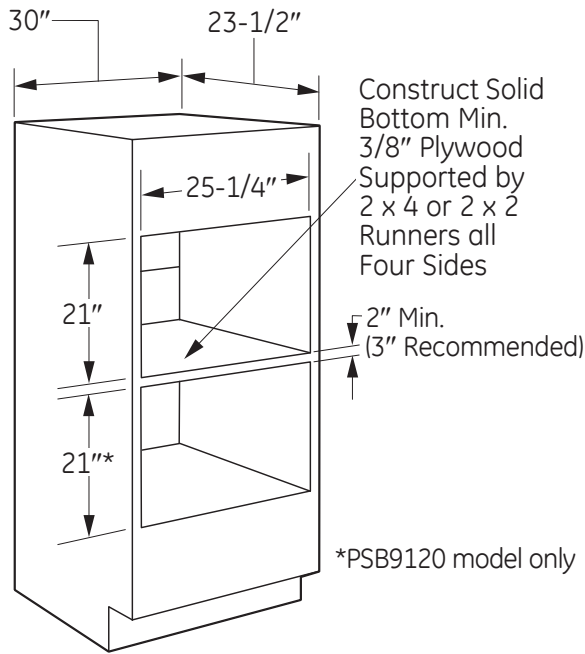
# Installation Preparation

## Preparation WITH an Accessory Storage Drawer

NOTE: MODEL ZSC1201 CAN ONLY BE INSTALLED WITH AN ACCESSORY STORAGE DRAWER IF INSTALLED ABOVE 36-3/4".  
 MODEL ZSC1202 CANNOT BE INSTALLED WITH AN ACCESSORY STORAGE DRAWER. SEE INSTALLATION PREPARATION WITHOUT AN ACCESSORY STORAGE DRAWER FOR THIS MODEL.

### PREPARE THE OPENING (cont.)

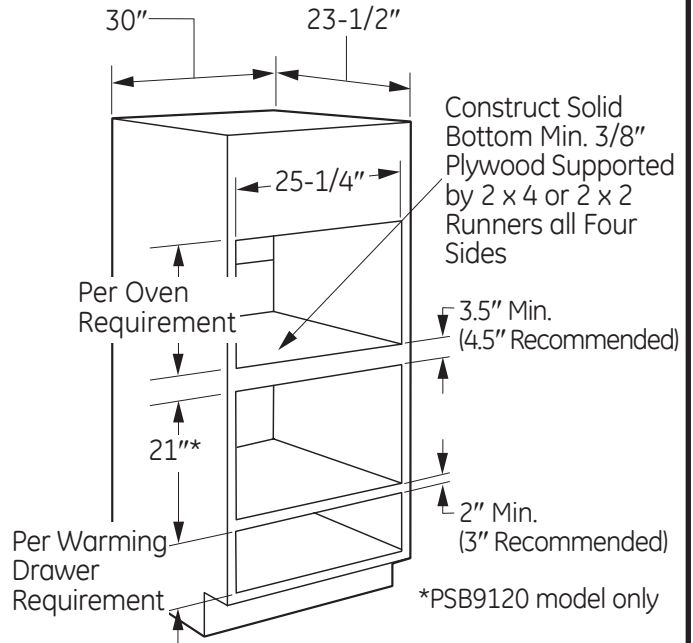
Installation over another GE/Monogram Under-the-Counter (UTC) oven:



- If you are mounting an Under-the-Counter GE/Monogram oven over another, use the dimensions shown. The middle rail separating the two openings may need to be larger than the 2" minimum shown.

### PREPARE THE OPENING (cont.)

Installation under a GE/Monogram Microwave Oven and over a Warming Drawer:



**NOTE:** Additional clearances between the cutouts may be required. Check to be sure the oven supports above the Warming Drawer location do not obstruct the required interior depth and height. See Warming Drawer installation instructions for details.

**⚠ CAUTION:** For personal safety, the mounting surface must be capable of supporting the cabinet load, in addition to the added weight of this approximate 80-pound oven, plus additional oven loads of up to 50 pounds or a total weight of 130 pounds.

**⚠ PRECAUCIÓN:** Para seguridad personal, la superficie de montaje debe poder soportar la carga del gabinete, además del peso aproximado de 80 libras del horno, más las cargas adicionales del horno de hasta 50 libras o un peso total de hasta 130 libras.

# Installation Preparation

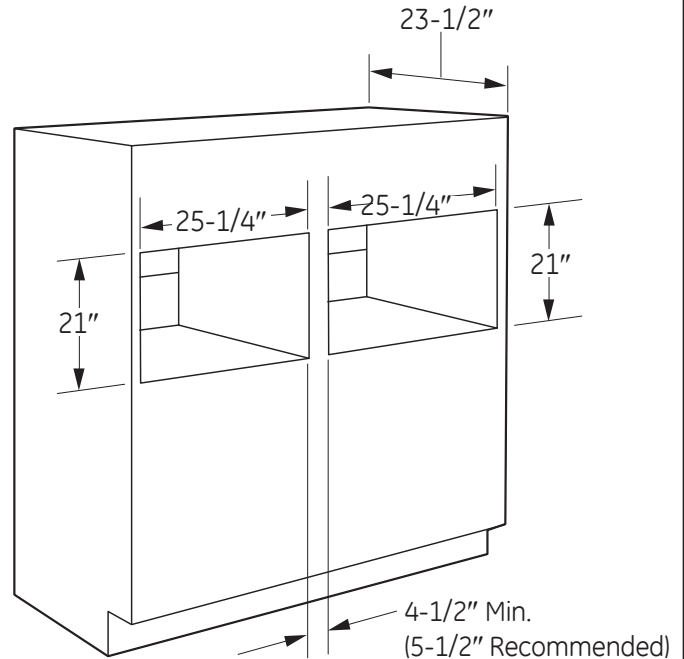
## Preparation WITH an Accessory Storage Drawer

NOTE: MODEL ZSC1201 CAN ONLY BE INSTALLED WITH AN ACCESSORY STORAGE DRAWER IF INSTALLED ABOVE 36-3/4". MODEL ZSC1202 CANNOT BE INSTALLED WITH AN ACCESSORY STORAGE DRAWER. SEE INSTALLATION PREPARATION WITHOUT AN ACCESSORY STORAGE DRAWER FOR THIS MODEL.

### PREPARE THE OPENING (cont.)

#### Installation beside another GE/Monogram Built-in Speedcook Oven:

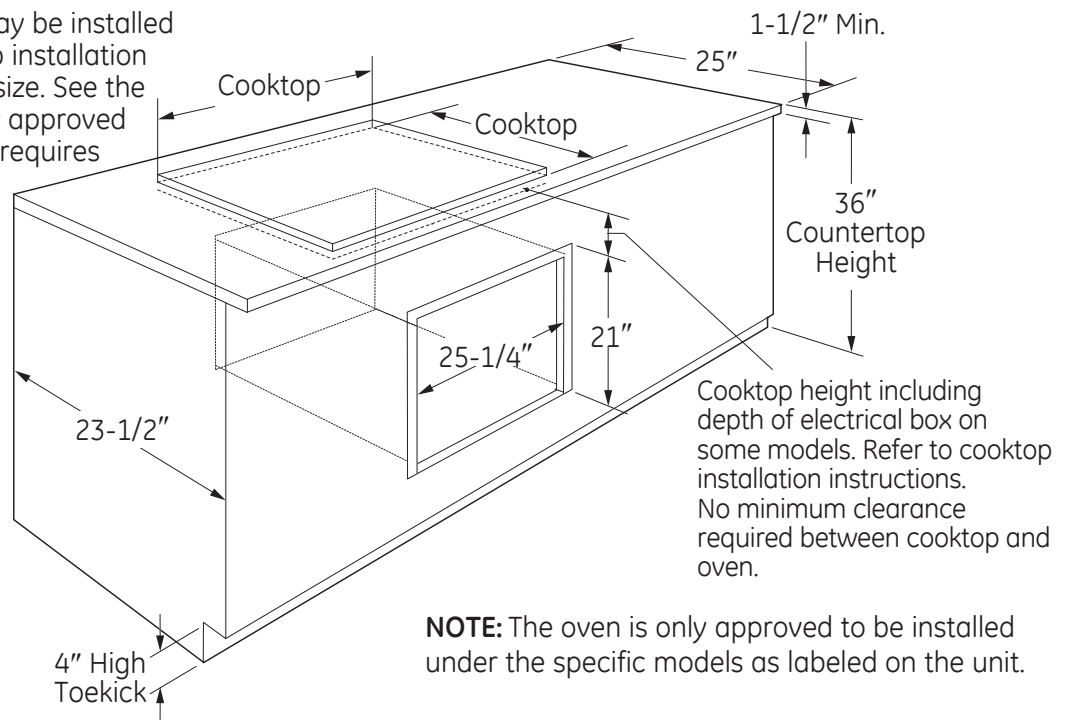
- If you are mounting one Under-the-Counter GE/Monogram oven beside the other, use the dimensions shown. The middle rail separating the two openings may need to be larger than the 4-1/2" minimum shown.



### PREPARE THE OPENING (cont.)

#### Installation under a GE Profile 30" or 36" Cooktop or Countertop:

Gas or electric cooktops may be installed over this oven. See cooktop installation instructions for the cutout size. See the label on top of the oven for approved cooktop models. This oven requires a separate, properly grounded 15-Amp, 120-Volt, 60Hz power supply. The cooktop requires a separate power supply. Use a 36" or wider base cabinet.



#### IMPORTANT:

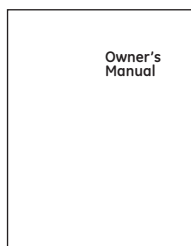
For PSB9120 model only. The Monogram oven and drawer combination cannot be installed below a countertop.

**NOTE:** The oven is only approved to be installed under the specific models as labeled on the unit.

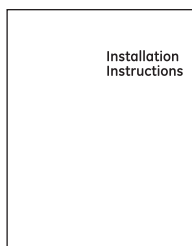
# Installation Instructions

## 1 REMOVE THE PACKAGING AND PARTS

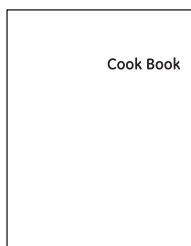
- Remove all packing material and tape.
- Locate parts package containing mounting screws.
- Remove the oven from the carton. Do not lift unit by handle or conduit. Two people are required to lift this oven.
- Open the door and remove any packaging in oven.



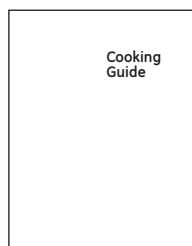
Owner's Manual



Installation Instructions



Cook Book



Cooking Guide



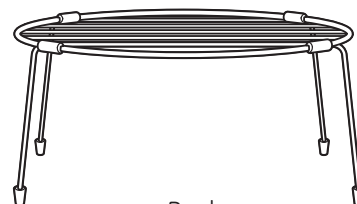
Glass Tray



Turntable Ring



Metal Trays (2)



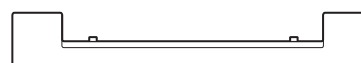
Rack

**⚠ CAUTION:** If installing the Advantium 120V Oven below 36", you must use the **plastic** bottom trim due to burn risk to children. The plastic trim acts as insulation and will help prevent burns to children from hot surfaces.

**⚠ PRECAUCIÓN:** Si va a instalar el horno Advantium de 120V debajo de 36", usted debe utilizar el reborde inferior **plástico** debido al riesgo de quemaduras para los niños. El reborde plástico actúa como aislante y evitará que los niños sufran quemaduras provocadas por las superficies calientes.



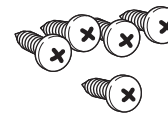
Bottom Trim - Plastic



Bottom Trim - Metal



6 Brass Screws  
(3 required, 3 extra)



5 Color-Matched Screws  
(4 required, 1 extra)

**IMPORTANT:** If installing the Advantium 120V Oven with an accessory storage drawer, read the storage drawer assembly instructions to assemble the products together before proceeding to Step 2.

# Installation Instructions

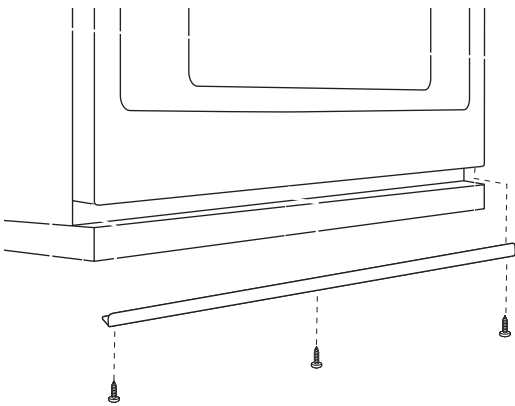
## 2 DOOR TRIM REMOVAL FOR ABOVE 36" INSTALLATION ONLY

If installing the Advantium 120V Oven above 36" from the floor, you may remove the plastic trim from the bottom of the door for esthetic purposes if desired.

**⚠ CAUTION:** If installing the Advantium 120V Oven below 36", do not remove the plastic door trim due to burn risk to children. The plastic trim acts as insulation and will help prevent burns to children from hot surfaces.

**⚠ PRECAUCIÓN:** Si va a instalar el horno Advantium de 120V debajo de 36", usted no debe quitar el reborde plástico de la puerta debido al riesgo de quemaduras para los niños. El reborde plástico actúa como aislante y evitará que los niños sufran quemaduras provocadas por las superficies calientes.

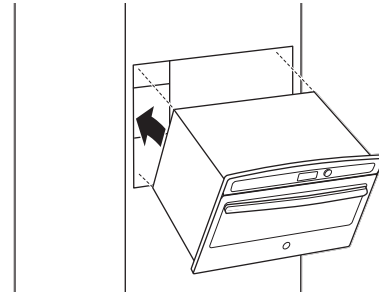
- If installing above 36", remove the 3 screws that secure the plastic trim to the bottom of the door.
- Discard plastic trim. Replace screws.



## 3 SLIDE THE OVEN INTO THE CUTOUT

**⚠ CAUTION:** Two people are required to lift the oven into the opening. Grasp the bottom at front and rear. DO NOT USE THE HANDLE TO LIFT THE OVEN. DAMAGE WILL OCCUR.

**⚠ PRECAUCIÓN:** Se necesitan dos personas para levantar el horno hasta la abertura. Tómelo de la parte inferior desde el frente y la parte trasera. NO USE LA MANIJA PARA LEVANTAR EL HORNO. SE PRODUCIRÁN DAÑOS.



- Lift and hold the oven at the front of the opening. Hold the oven at an angle and plug in the power cord.
- Carefully, slide the oven into the cabinet part way. Leave the oven a few inches forward of the cabinet frame.
- Check to be sure the power cord is not trapped under the oven or along the sides of the oven.

# Installation Instructions

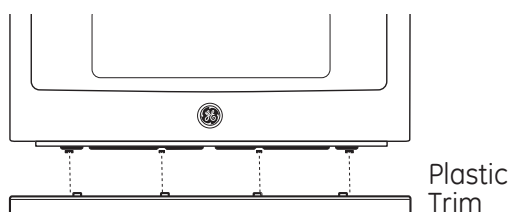
## 4 INSTALL BOTTOM TRIM

**CAUTION:** If installing the Advantium 120V Oven below 36", you must use the **plastic** bottom trim due to burn risk to children. The plastic trim acts as insulation and will help prevent burns to children from hot surfaces.

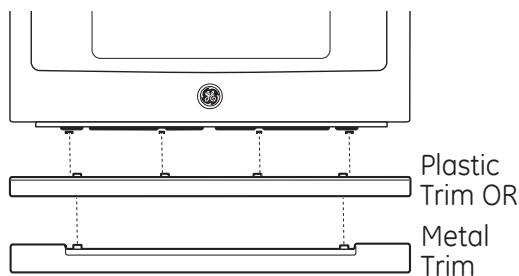
**PRECAUCIÓN:** Si va a instalar el horno Advantium de 120V debajo de 36", usted debe utilizar el reborde inferior **plástico** debido al riesgo de quemaduras para los niños. El reborde plástico actúa como aislante y evitará que los niños sufran quemaduras provocadas por las superficies calientes.

**NOTE:** If installing the Advantium 120V Oven with an accessory storage drawer, the bottom trim is not required. Proceed to Step 5.

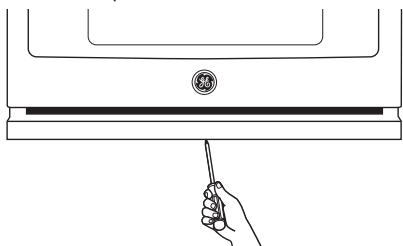
- **Installation Below 36"**, align trim tabs on the plastic trim to slots in the bottom of the oven.



- **Installation Above 36"**, align trim tabs on the plastic or metal trim to slots in the bottom of the oven.



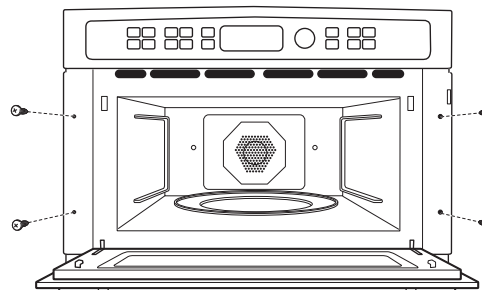
- Secure the bottom trim to the bottom of the oven using 3 screws provided.



## 5 INSTALL BOTTOM TRIM WITH ACCESSORY DRAWER

If installing with an accessory drawer, see installation instructions on page 17 or instructions that come with the accessory drawer.

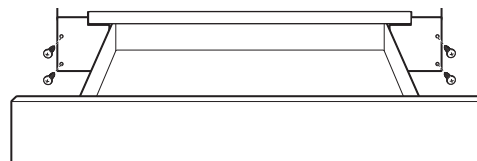
## 6 INSTALL MOUNTING SCREWS



- Slide the oven the remaining way into the opening so that the side flanges and control panel are against the cabinet frame. Make sure that the oven is centered in the opening.
- Open the door, place a turntable tray in the oven and make sure that the tray in the unit is level.
- Drill pilot holes through the side flanges.
- Drive the color-matched screws into the side flanges. It is recommended that the screws be hand tightened.

**If installing oven with an accessory storage drawer:**

- Open the drawer.
- Drill pilot holes through the side flanges.
- Drive color-matched screws into the side flanges. It is recommended that the screws be hand tightened.



**NOTE:** If installing the Profile Advantium 120V Oven with an accessory storage drawer, you must use the Under-the-Counter (UTC) mounting bracket for the drawer.

If installing the Monogram Advantium integrated model ZSC1201 above 36", the UTC mounting bracket for the accessory storage drawer must be used.

## 7 FINALIZE INSTALLATION

- Turn power on at the source. The interior light should come on when the door is opened.
- Refer to Owner's Manual for operating instructions.



# Assembly Instructions

## Advantium® Built-In Accessory Storage Drawer JX2200, JX2201, ZX2201

### BEFORE YOU BEGIN

Read these instructions completely and carefully. Read the Installation Instructions for the Advantium 120V or 240V oven completely and carefully for cutout dimensions and step-by-step instructions.

**IMPORTANT** — Save these instructions for local inspector's use.

**IMPORTANT** — Observe all governing codes and ordinances.

- **NOTE TO INSTALLER:** Be sure to leave these instructions with the Consumer.
- **NOTE TO CONSUMER:** Keep these instructions with your Advantium 120V or 240V Oven Owner's Manual for future reference.
- **SKILL LEVEL:** Installation of this appliance requires basic mechanical skills.
- **COMPLETION TIME:** One hour with the installation of an Advantium 120V or 240V oven.
- Proper installation is the responsibility of the installer.
- Product failure due to improper installation is not covered under the Warranty. See the Advantium 120V or 240V Oven Owner's Manual for warranty information.

### MODELS AVAILABLE

#### Profile Models:

JX2200BB—Black

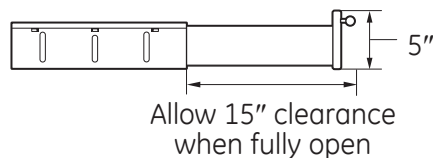
JX2201SS—Stainless Steel

#### Monogram Models:

ZX2201SS—Stainless Steel (for installation above 36" only)

**NOTE: Advantium 240V model ZSC2202SS and Advantium 120V model ZSC1202 CANNOT be installed with an accessory storage drawer.** See Installation Preparation Without an Accessory Storage Drawer in the Installation Instructions for these models.

### PRODUCT DIMENSIONS AND CLEARANCES



**NOTE:** Appearance will vary by model.

### TOOLS REQUIRED

- #2 Phillips screwdriver

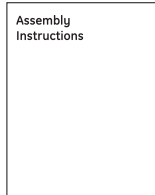
### PARTS SUPPLIED

- 2 Side Supports
- Screws (8)
- Screws (color-matched) (5)
- Under-the-Counter Mounting Bracket (1)

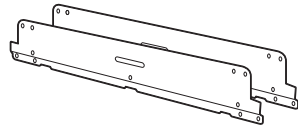
# ASSEMBLY TO ADVANTIUM BUILT-IN SPEEDCOOK OVEN

## 1 REMOVE PACKAGING AND PARTS

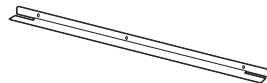
- Remove the drawer from the carton.
- Remove all packing material and tape.
- Open the drawer and remove any parts inside.
- Locate parts.



Assembly Instructions



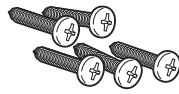
Side Supports (2)



Under-the-Counter (UTC) Mounting Bracket



Screws  
(6 required,  
2 extra)

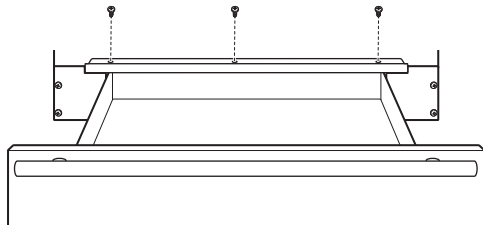


Color-Matched  
Screws  
(4 required,  
1 extra)

## 2 UNDER-THE-COUNTER (UTC) MOUNTING BRACKET INSTALLATION

**NOTE:** For UTC models PSB9120 and ZSC1201 only.

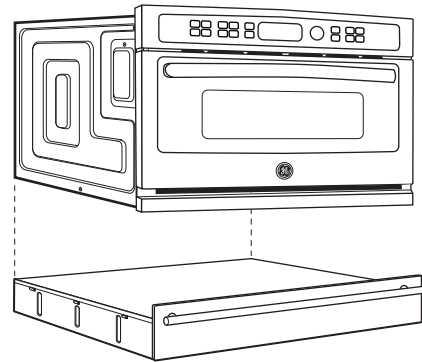
- A** Open the accessory drawer so you have access to the top bracket.
- B** Remove the three screws securing the top bracket.
- C** Install the new UTC mounting bracket using the screws removed previously.



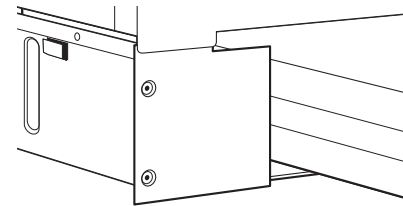
- D** Close the drawer and proceed with the installation.

## 3 ASSEMBLING THE OVEN TO DRAWER

- A** Place storage drawer on a surface with the front of drawer hanging over the edge of the surface. Not placing the front edge of drawer over the edge of the surface may result in damage to the drawer since the front edge of drawer hangs below the bottom of drawer.
- B** Place the oven on top of the storage drawer. Make sure that the back and sides of the oven align with the back and sides of drawer.



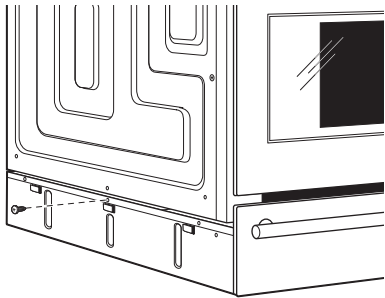
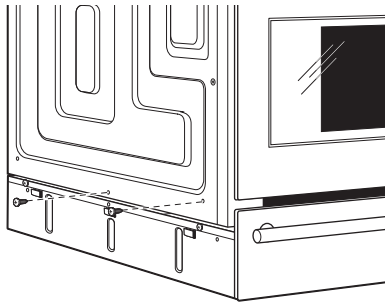
**NOTE:** The bottom of the oven side flanges will sit directly in front of the top of the storage drawer side flanges.



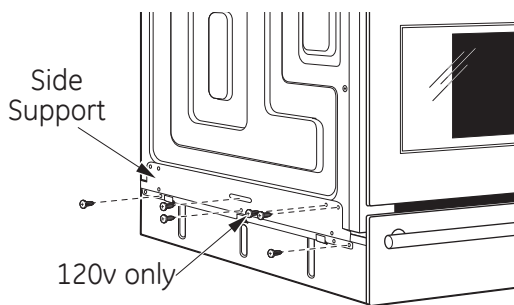
# ASSEMBLY TO ADVANTIUM BUILT-IN SPEEDCOOK OVEN

## ASSEMBLING THE OVEN TO DRAWER (cont.)

- C** Remove the front two bottom screws on each side of the oven and the top center screw on each side of the storage drawer.



- D** Place the side supports into the tabs on the drawer and secure using the screws supplied and the screws removed in Step C.



- E** The oven and storage drawer assembly is now ready to be installed. Return to the Advantium 120V or 240V Built-In SpeedCook Oven Installation Instructions to complete the installation.

**NOTE:** While performing installations described in this book, safety glasses or goggles should be worn.

**NOTE:** Product improvement is a continuing endeavor at General Electric. Therefore, materials, appearance and specifications are subject to change without notice.



**GE Appliances & Lighting**  
Appliances  
General Electric Company  
Louisville, KY 40225  
GEAppliances.com

# Instrucciones de instalación

**Hornos de cocción  
rápida empotrados  
de 120V Advantium®**

PSB9120DF  
PSB9120SF  
ZSC1201  
ZSC1202

# Información de seguridad

## ANTES DE COMENZAR

Lea estas instrucciones por completo y con detenimiento.

**IMPORTANTE** — Guarde estas instrucciones para el uso de inspectores locales.

**IMPORTANTE** — Cumpla con todos los códigos y ordenanzas vigentes.

- **Nota al instalador** — Asegúrese de dejar estas instrucciones con el Consumidor.
- **Nota al consumidor** — Mantenga estas instrucciones con el Manual del Propietario para referencia futura.
- **Nivel de capacidad** — La instalación de este aparato requiere capacidades mecánicas y eléctricas básicas.
- **Tiempo de finalización — 1 hora.**
- El instalador tiene la responsabilidad de efectuar una instalación adecuada. La Garantía no cubre las fallas del producto debido a una instalación incorrecta. Ver el Manual del Propietario para información sobre la garantía.

**NOTA:** Este horno sólo puede instalarse debajo de los modelos específicos como se indica en la etiqueta de esta unidad.

**IMPORTANTE** — Utilice este horno sólo con el objetivo para el que fue creado. Nunca use el horno para entibiar o calentar una habitación. El uso prolongado del horno sin una ventilación adecuada puede resultar peligroso.

### ⚠ PRECAUCIÓN:

Para seguridad personal, quite el fusible o el interruptor de circuitos de la vivienda antes de comenzar la instalación a fin de evitar una lesión grave o fatal.

### ⚠ PRECAUCIÓN:

Para seguridad personal, la superficie de montaje debe poder soportar la carga del gabinete, además de las 80 libras del horno y las 30 libras del cajón, más las cargas adicionales del horno de hasta 50 libras o un peso total de hasta 160 libras.

### ⚠ PRECAUCIÓN:

Si va a instalar el horno Advantium de 120V debajo de 36", usted debe utilizar el reborde inferior **plástico** debido al riesgo de quemaduras para los niños. El reborde plástico actúa como aislante y evitará que los niños sufran quemaduras provocadas por las superficies calientes.

### ⚠ PRECAUCIÓN:

Si va a instalar el horno Advantium de 120V debajo de 36", usted no debe quitar el reborde plástico de la puerta debido al riesgo de quemaduras para los niños. El reborde plástico actúa como aislante y evitará que los niños sufran quemaduras provocadas por las superficies calientes.

## CONTENIDOS

### Información de diseño

Modelos disponibles .....	2
Dimensiones y distancias del producto .....	3
Herramientas y piezas requeridas.....	3
Piezas provistas .....	3
Planificación previa.....	3

### Preparación para la instalación

Requisitos eléctricos.....	4
Preparación de la abertura (instalación sin un cajón de almacenamiento de accesorios).....	5-8
Preparación de la abertura (instalación con un cajón de almacenamiento de accesorios).....	9-12
Instalación bajo una estufa de 36".....	12

### Instrucciones de instalación

Paso 1, Quite el empaque y las piezas .....	13
Paso 2, Remoción del Reborde de la Puerta Sólo para Instalaciones sobre 36".....	14
Paso 3, Deslice el Horno Dentro de la Abertura....	14
Paso 4, Instale el reborde inferior .....	15
Paso 5, Instale el Reborde Inferior con el Cajón de Accesorios .....	15
Paso 6, Instale los tornillos de montaje.....	15
Paso 7, Finalice la instalación .....	15

## MODELOS DISPONIBLES

### Modelos Profile:

PSB9120DFWW–Blanco\*  
PSB9120DFBB–Negro  
PSB9120SFSS–Acero inoxidable

### Modelos Monogram:

ZSC1201SS–Acero inoxidable  
ZSC1202SS–Acero inoxidable\*\*

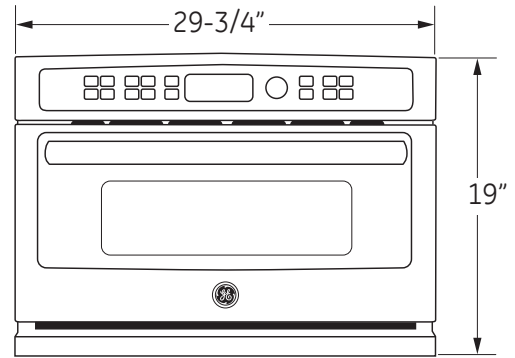
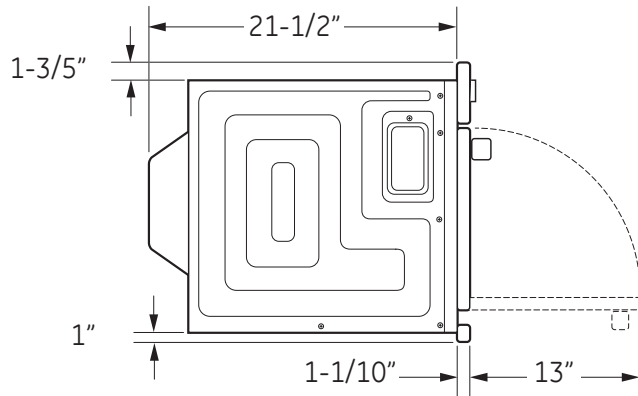
\*

Para este modelo no hay cajón del mismo color disponible.

\*\*Esta unidad no puede instalarse con un cajón de almacenamiento de accesorios.

# Información de diseño

## DIMENSIONES Y DISTANCIAS DEL PRODUCTO NOTA: La apariencia varía según el modelo.



## HERRAMIENTAS Y PIEZAS REQUERIDAS (NO PROVISTAS)

- Destornillador de estrella #2
- Perforadora de mano
- Broca para perforadora de alta velocidad de 3/32" de diámetro
- Destornillador para cabeza ranurada de 3/8"
- Nivel
- Sierra
- Madera de 2 x 4 o 2 x 2 para instalar guías o madera terciada de 3/8" para el piso (si se requiriera)
- Tornillos para madera u otro elemento para instalar guías o estante para sostener el horno (si se requiriera)
- Gafas o lentes de seguridad

## PIEZAS PROVISTAS

- 6 tornillos (3 necesarios, 3 extra)
- 5 tornillos de color (4 requeridos, 1 extra)
- Reborde inferior (2)

## PLANIFICACIÓN PREVIA

- Estos hornos pueden instalarse directamente dentro de un gabinete para horno de 30" de ancho.
- Las dimensiones del recorte NO son iguales para la instalación con o sin un cajón de almacenamiento para accesorios. Asegúrese de utilizar el recorte correcto cuando prepare la abertura

**NOTA:** Los modelos ZSC1202 NO PUEDEN instalarse con un cajón de almacenamiento para accesorios. Para este modelo, ver Preparación para instalación sin un cajón de almacenamiento para accesorios.

- Deje una distancia respecto de rincones, paredes, cajones adyacentes, etc.

El horno debe instalarse bien en un gabinete que se encuentre firmemente sujeto a la estructura de la casa. Si se coloca peso sobre la puerta del horno, éste puede volcarse y provocar lesiones. Nunca permita que nadie se suba, siente, pare o cuelgue de la puerta del horno.

Si va a instalar el accesorio del cajón, éste debe montarse en el horno antes de la instalación en el gabinete. Ver las *Instrucciones de montaje del cajón de almacenamiento de accesorios*.

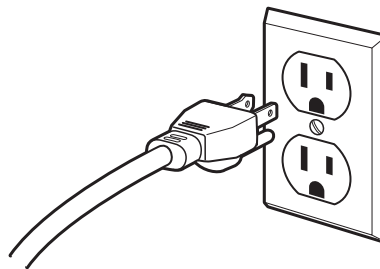
# Preparación para la instalación

## REQUISITOS ELÉCTRICOS

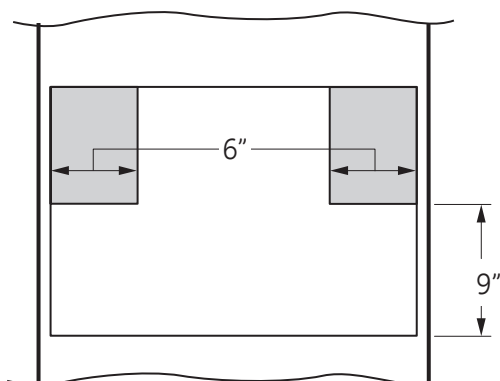
### Instalación de Advantium de 120V único:

Este producto requiere un circuito de 120 voltios, 60 hercios, 15 amperios y consume 1.8 kilovatios. Este producto debe conectarse a un circuito de suministro del voltaje y frecuencia adecuados.

- El tamaño del cable debe cumplir con los requisitos del Código Eléctrico Nacional o con el código local vigente para esta clasificación de kilovatios.
- El cable y enchufe de suministro eléctrico debe llevarse a un receptáculo separado único de circuito derivado con conexión a tierra de 15 o 20 amperios. La caja de distribución debe ubicarse dentro del alcance del cable eléctrico de 48".



## UBICACIÓN DE LA ELECTRICIDAD



Ubique la caja de distribución en el área sombreada

Instale un tomacorriente empotrado en la pared trasera de la abertura dentro de los 6" de cada lado y por lo menos a 9" por encima del piso del recorte.

## INSTRUCCIONES DE CONEXIÓN A TIERRA

Este electrodoméstico deberá estar conectado a tierra. En caso de que se produzca un cortocircuito, la conexión a tierra reduce el riesgo de descarga eléctrica, brindando un cable de escape de la corriente eléctrica. Este electrodoméstico está equipado con un cable de corriente que posee un cable de conexión a tierra con un enchufe a tierra. El enchufe se deberá enchufar en un tomacorriente instalado y conectado a tierra de forma adecuada.

**⚠ ¡ADVERTENCIA!** El uso inadecuado del enchufe de conexión a tierra puede provocar un riesgo de descarga eléctrica.

**Importante: (Se solicita leer detenidamente).** El cable de corriente de este electrodoméstico cuenta con un enchufe de 3 clavijas (con cable a tierra) que se conecta a un tomacorriente de pared estándar de 3 clavijas para minimizar la posibilidad de descargas eléctricas. Consulte a un electricista calificado o al personal del servicio técnico en caso de que las instrucciones de conexión a tierra no se entiendan completamente, o si tiene dudas sobre si el electrodoméstico está conectado a tierra de forma apropiada.

- Para el uso de este artefacto, es responsabilidad y obligación del consumidor cambiar un tomacorriente de pared estándar de dos patas por uno de tres patas con adecuada conexión a tierra.

Bajo ninguna circunstancia corte o quite la tercera pata (a tierra) del cable eléctrico.

**NO USE UN PROLONGADOR.** Si el cable de corriente es demasiado corto, solicite a un electricista calificado o al personal del servicio técnico que instale un tomacorriente cerca del electrodoméstico.



# Preparación para la instalación

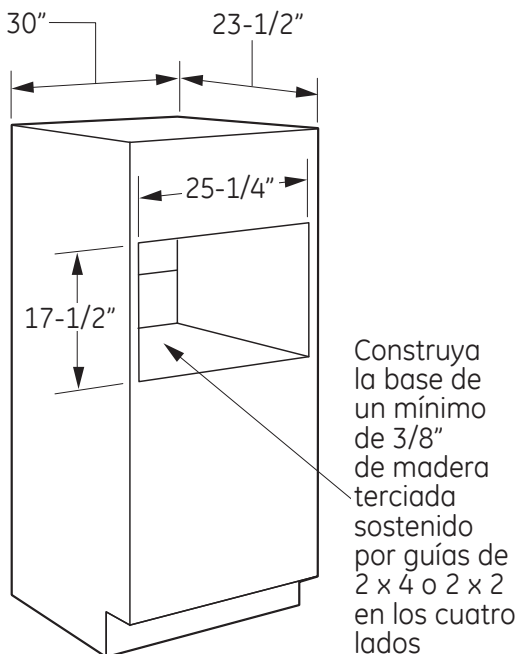
## Preparación SIN un cajón de almacenamiento de accesorios

### CÓMO PREPARAR LA ABERTURA

El Advantium de 120V puede instalarse en combinación con otros aparatos GE/Monogram. Siempre siga las Instrucciones de instalación de cada producto para completar la instalación.

#### Instalación de Advantium de 120V único:

Solicite un gabinete para horno único de 30" de ancho o corte la abertura en una pared con las dimensiones indicadas.



- Deje una superposición del reborde de la caja de 2-1/8", una de 1-1/16" sobre la parte superior y una de 7/8" sobre la parte inferior de la abertura en todos los modelos.
- Las superposiciones del horno sirven para esconder los lados cortados sobre todos los costados de la abertura.

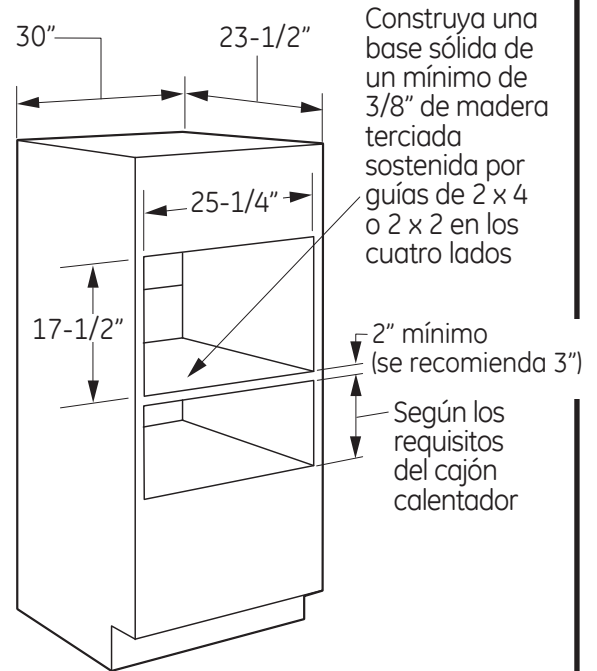
Cuando se instalan sobre un horno único o un cajón calentador, deje por lo menos 2" entre las dos aberturas. Esta separación brindará un espacio para la superposición superior del Advantium de 120V y las otras superposiciones del aparato.

Construya un piso sólido para el horno de madera terciada de un grosor mínimo de 3/8" sostenido por guías de 2 x 4 o 2 x 2 en todos los lados.

- El soporte debe estar nivelado y bien montado, alineado con el lado inferior del recorte.

### CÓMO PREPARAR LA ABERTURA (cont.)

#### Instalación sobre un cajón calentador GE/Monogram:



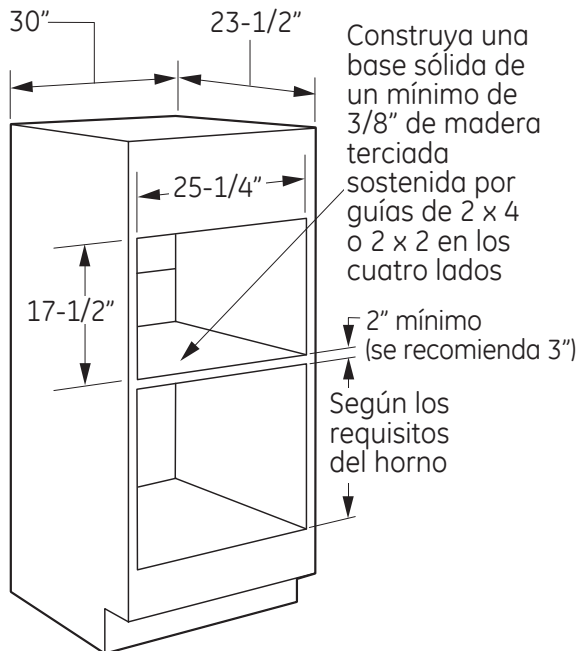
**NOTA:** Pueden necesitarse espacios adicionales entre los recortes. Verifique que los soportes del horno sobre la ubicación de cajón calentador no obstruyan la profundidad y altura interiores requeridas. Para más detalles, consulte las instrucciones de instalación del cajón calentador.

# Preparación para la instalación

## Preparación SIN un cajón de almacenamiento de accesorios

### CÓMO PREPARAR LA ABERTURA (cont.)

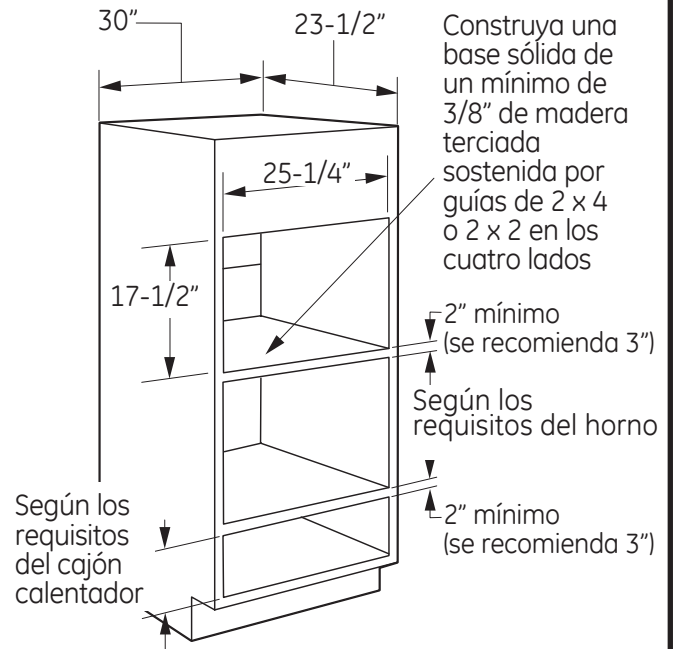
Instalación sobre un horno GE/Monogram:



- Si usted está reemplazando un horno eléctrico doble GE/Monogram con la instalación combinada de un Advantium de 120V y un horno único, utilice las dimensiones indicadas. El riel medio que separa las dos aberturas puede tener que ser mayor al mínimo de 2" indicado.

### CÓMO PREPARAR LA ABERTURA (cont.)

Instalación sobre un horno y cajón calentador GE/Monogram:



**NOTA:** Pueden necesitarse espacios adicionales entre los recortes. Verifique que los soportes del horno sobre la ubicación de cajón calentador no obstruyan la profundidad y altura interiores requeridas. Para más detalles, consulte las instrucciones de instalación del cajón calentador.

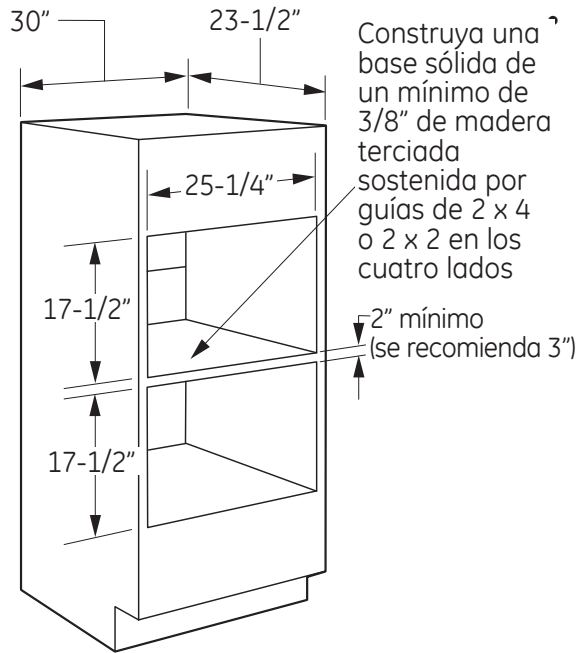
**⚠ PRECAUCIÓN:** Para seguridad personal, la superficie de montaje debe poder soportar la carga del gabinete, además del peso aproximado de 80 libras del horno, más las cargas adicionales del horno de hasta 50 libras o un peso total de hasta 130 libras.

# Preparación para la instalación

## Preparación SIN un cajón de almacenamiento de accesorios

### CÓMO PREPARAR LA ABERTURA (cont.)

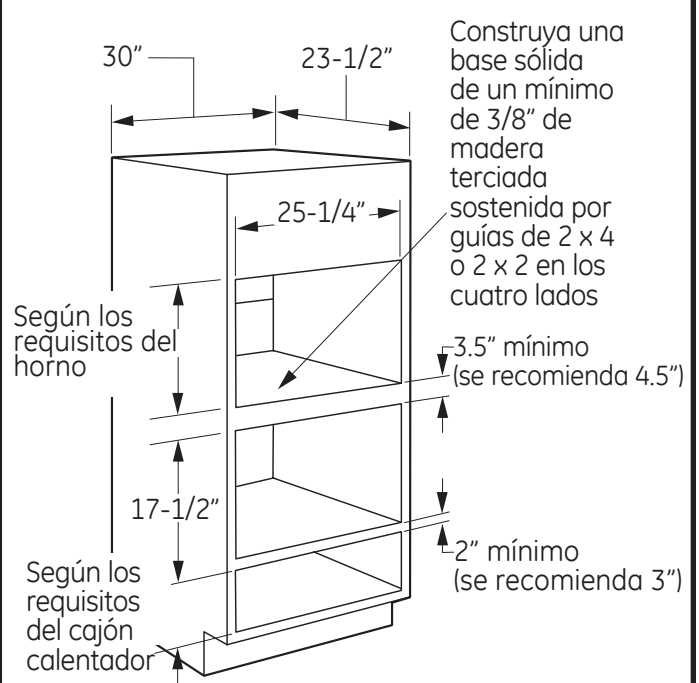
Instalación sobre otro horno bajo el mostrador (BEM) GE/Monogram:



Si usted está montando un horno bajo el mostrador GE/Monogram sobre otro, utilice las dimensiones indicadas. El riel medio que separa las dos aberturas puede tener que ser mayor al mínimo de 2" indicado.

### CÓMO PREPARAR LA ABERTURA (cont.)

Instalación bajo un horno de microondas y sobre un cajón calentador GE/Monogram:



**NOTA:** Pueden necesitarse espacios adicionales entre los recortes. Verifique que los soportes del horno sobre la ubicación de cajón calentador no obstruyan la profundidad y altura interiores requeridas. Para más detalles, consulte las instrucciones de instalación del cajón calentador.

**⚠ PRECAUCIÓN:** Para seguridad personal, la superficie de montaje debe poder soportar la carga del gabinete, además del peso aproximado de 80 libras del horno, más las cargas adicionales del horno de hasta 50 libras o un peso total de hasta 130 libras.

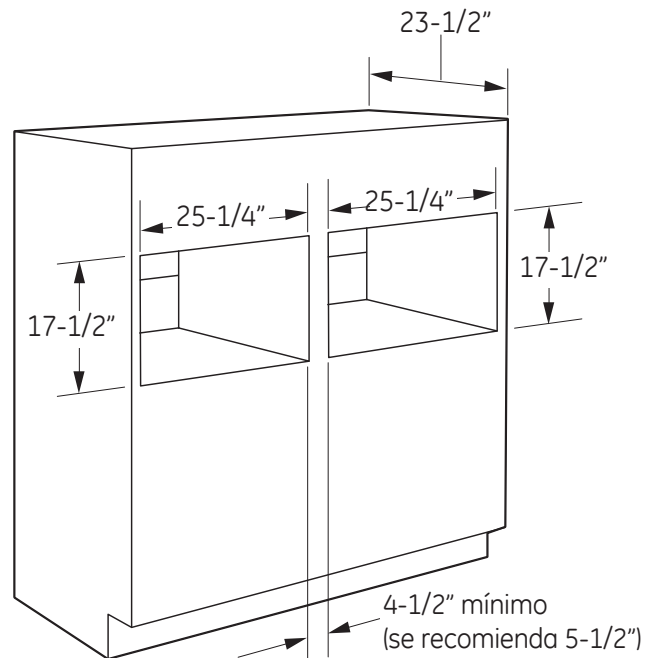
# Preparación para la instalación

## Preparación SIN un cajón de almacenamiento de accesorios

### CÓMO PREPARAR LA ABERTURA (cont.)

#### Instalación al lado de otro horno de cocción rápida empotrado GE/Monogram:

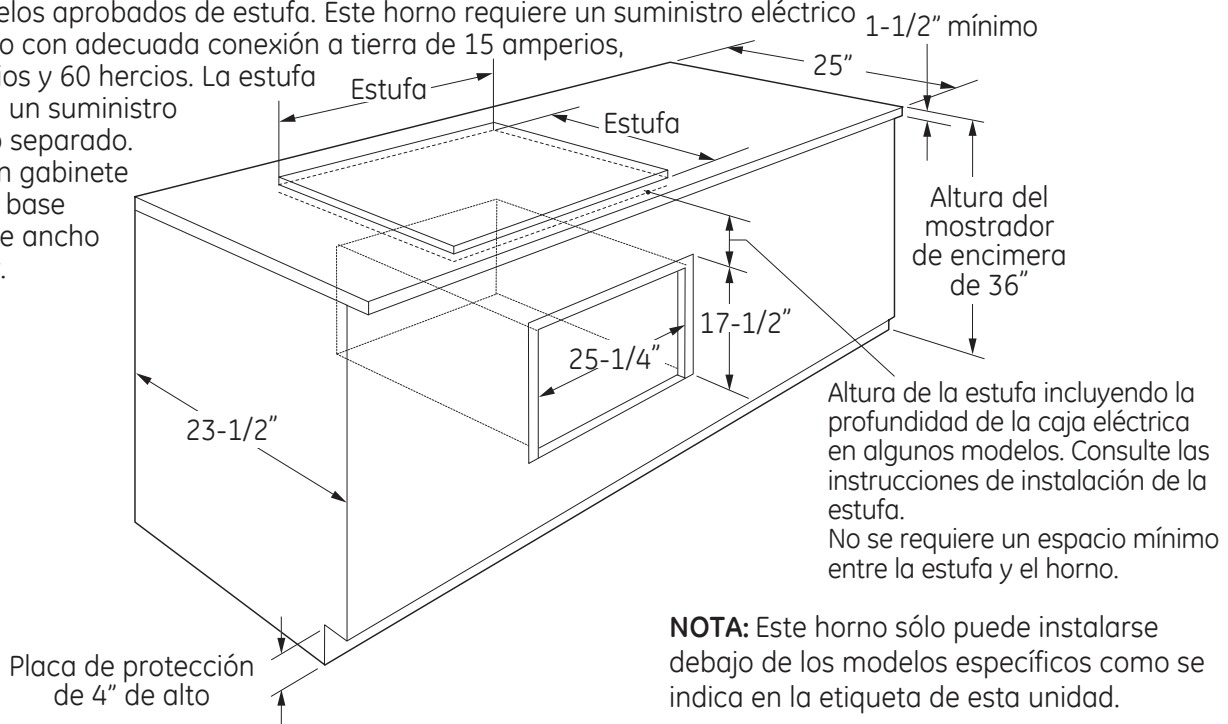
- Si usted está montando un horno para debajo del mostrador GE/Monogram al lado de otro, utilice las dimensiones indicadas. El riel medio que separa las dos aberturas puede tener que ser mayor al mínimo de 4-1/2" indicado.



### CÓMO PREPARAR LA ABERTURA (cont.)

#### Instalación bajo una estufa o un mostrador de encimera de 30" o 36" GE/Monogram:

Pueden instalarse estufas a gas o eléctricas sobre este horno. Ver las instrucciones de instalación de la estufa para el tamaño de la abertura. Ver la etiqueta de la parte superior del horno para consultar los modelos aprobados de estufa. Este horno requiere un suministro eléctrico separado con adecuada conexión a tierra de 15 amperios, 120 voltios y 60 hercios. La estufa necesita un suministro eléctrico separado. Utilice un gabinete con una base de 36" de ancho o mayor.



# Preparación para la instalación

## Preparación **CON** un cajón de almacenamiento de accesorios

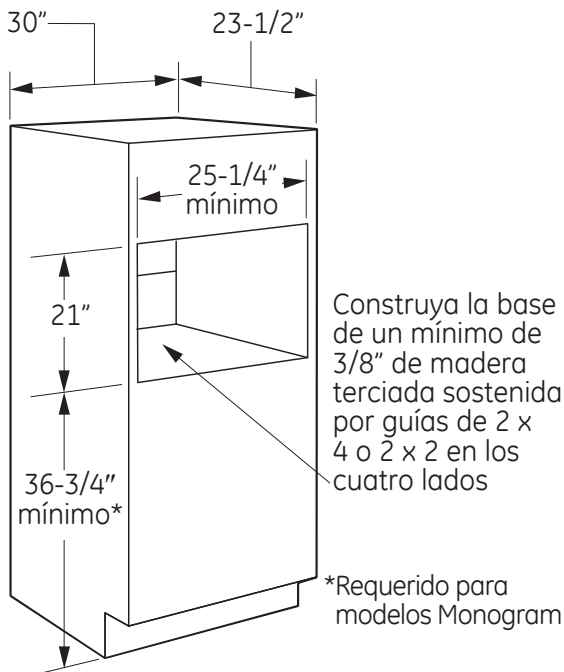
NOTA: EL MODELO ZSC1201 SÓLO PUEDE SER INSTALADO CON UN CAJÓN DE ALMACENAMIENTO DE ACCESORIOS SI SE LO INSTALA POR ENCIMA DE 36-3/4". EL MODELO ZSC1202 NO PUEDEN INSTALARSE CON UN CAJÓN DE ALMACENAMIENTO DE ACCESORIOS. VER PREPARACIÓN PARA LA INSTALACIÓN SIN UN CAJÓN DE ALMACENAMIENTO DE ACCESORIOS PARA ESTE MODELO.

### CÓMO PREPARAR LA ABERTURA (cont.)

El Advantium de 120V puede instalarse en combinación con otros aparatos GE/Monogram. Siempre siga las Instrucciones de instalación de cada producto para completar la instalación.

#### Instalación de Advantium de 120V único:

Solicite un gabinete para horno único de 30" de ancho o corte la abertura en una pared con las dimensiones indicadas.



- Deje una superposición del reborde de la caja de 2-1/8", una de 1-1/16" sobre la parte superior y una de 7/8" sobre la parte inferior de la abertura en todos los modelos.
- Las superposiciones del horno sirven para esconder los lados cortados sobre todos los costados de la abertura.

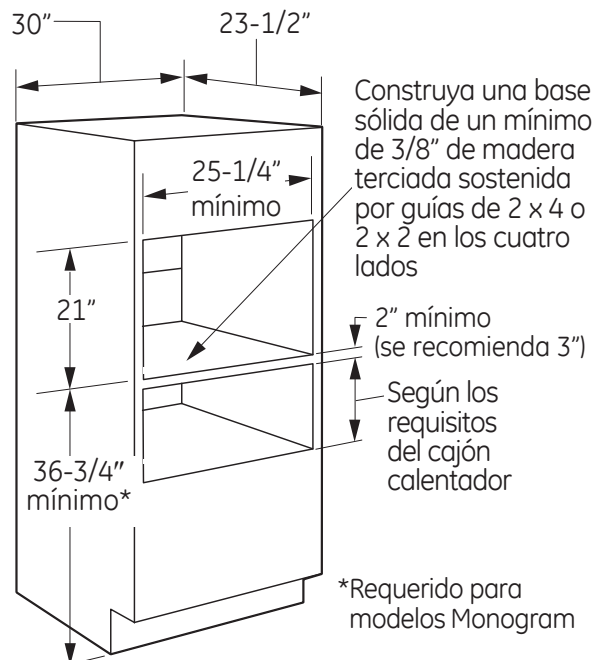
Cuando se instalan sobre un horno único o un cajón calentador, deje por lo menos 2" entre las dos aberturas. Esta separación brindará un espacio para la superposición superior del Advantium de 120V y las otras superposiciones del aparato.

Construya un piso sólido para el horno de madera terciada de un grosor mínimo de 3/8" sostenida por guías de 2 x 4 o 2 x 2 en todos los lados.

- El soporte debe estar nivelado y bien montado, alineado con el lado inferior del recorte.

### CÓMO PREPARAR LA ABERTURA (cont.)

#### Instalación sobre un cajón calentador GE/Monogram:



**NOTA:** Pueden necesitarse espacios adicionales entre los recortes. Verifique que los soportes del horno sobre la ubicación de cajón calentador no obstruyan la profundidad y altura interiores requeridas. Para más detalles, consulte las instrucciones de instalación del cajón calentador.

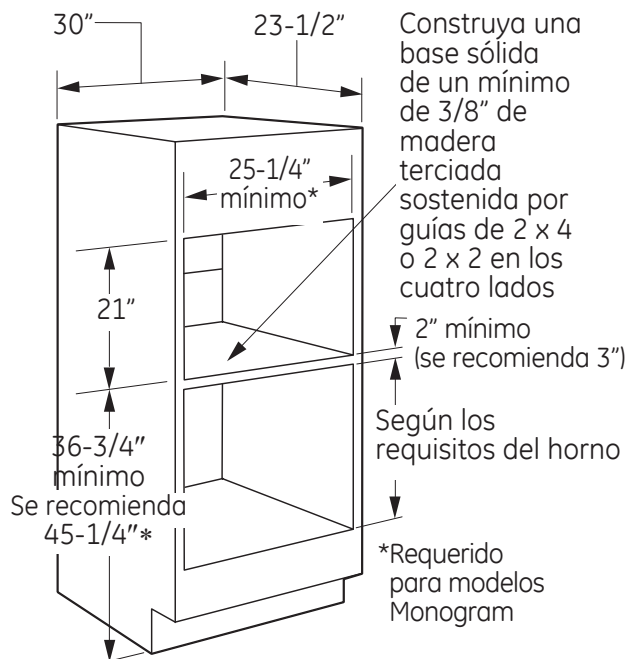
# Preparación para la instalación

## Preparación **CON** un cajón de almacenamiento de accesorios

NOTA: EL MODELO ZSC1201 SÓLO PUEDE SER INSTALADO CON UN CAJÓN DE ALMACENAMIENTO DE ACCESORIOS SI SE LO INSTALA POR ENCIMA DE 36-3/4". EL MODELO ZSC1202 NO PUEDEN INSTALARSE CON UN CAJÓN DE ALMACENAMIENTO DE ACCESORIOS. VER PREPARACIÓN PARA LA INSTALACIÓN SIN UN CAJÓN DE ALMACENAMIENTO DE ACCESORIOS PARA ESTE MODELO.

### CÓMO PREPARAR LA ABERTURA (cont.)

Preparación **CON** un cajón de almacenamiento de accesorios:

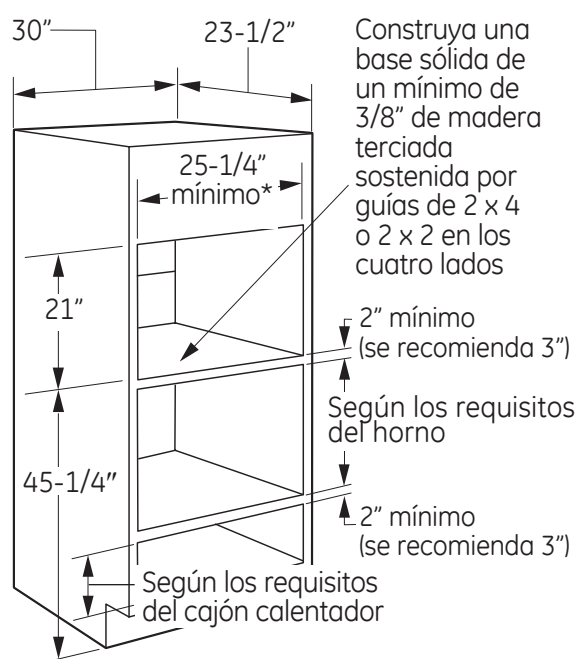


\* Para recortes existentes, un ancho máximo de 28-1/2" es aceptable. Si la abertura es un poco más ancha, coloque un listón de enrasar en cada lado del recorte para fijar el horno.

- Si usted está reemplazando un horno eléctrico doble GE/Monogram con la instalación combinada de un Advantium de 120V y un horno único, utilice las dimensiones indicadas. El riel medio que separa las dos aberturas puede tener que ser mayor al mínimo de 2" indicado.

### CÓMO PREPARAR LA ABERTURA (cont.)

Instalación sobre un horno y cajón calentador GE/Monogram:



\* Para recortes existentes, un ancho máximo de 28-1/2" es aceptable. Si la abertura es un poco más ancha, coloque un listón de enrasar en cada lado del recorte para fijar el horno.

**NOTA:** Pueden necesitarse espacios adicionales entre los recortes. Verifique que los soportes del horno sobre la ubicación de cajón calentador no obstruyan la profundidad y altura interiores requeridas. Para más detalles, consulte las instrucciones de instalación del cajón calentador.

**⚠ PRECAUCIÓN:** Para seguridad personal, la superficie de montaje debe poder soportar la carga del gabinete, además del peso aproximado de 80 libras del horno y las 30 libras del cajón, más las cargas adicionales del horno de hasta 50 libras o un peso total de hasta 160 libras.

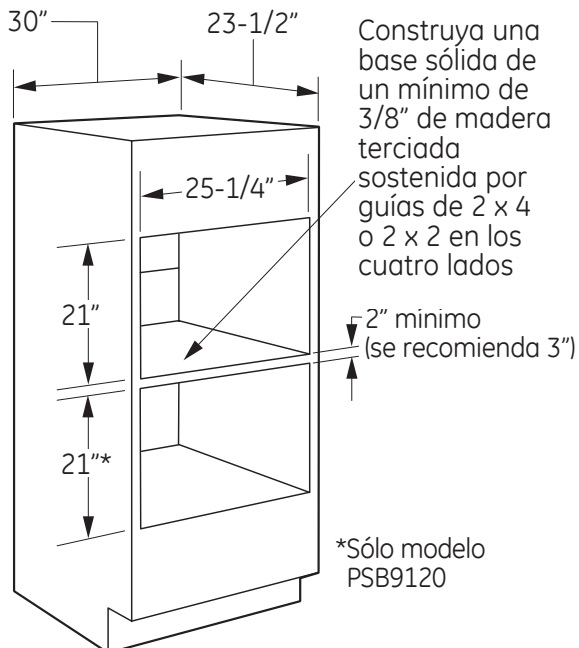
# Preparación para la instalación

## Preparación **CON** un cajón de almacenamiento de accesorios

NOTA: EL MODELO ZSC1201 SÓLO PUEDE SER INSTALADO CON UN CAJÓN DE ALMACENAMIENTO DE ACCESORIOS SI SE LO INSTALA POR ENCIMA DE 36-3/4". EL MODELO ZSC1202 NO PUEDEN INSTALARSE CON UN CAJÓN DE ALMACENAMIENTO DE ACCESORIOS. VER PREPARACIÓN PARA LA INSTALACIÓN SIN UN CAJÓN DE ALMACENAMIENTO DE ACCESORIOS PARA ESTE MODELO.

### CÓMO PREPARAR LA ABERTURA (cont.)

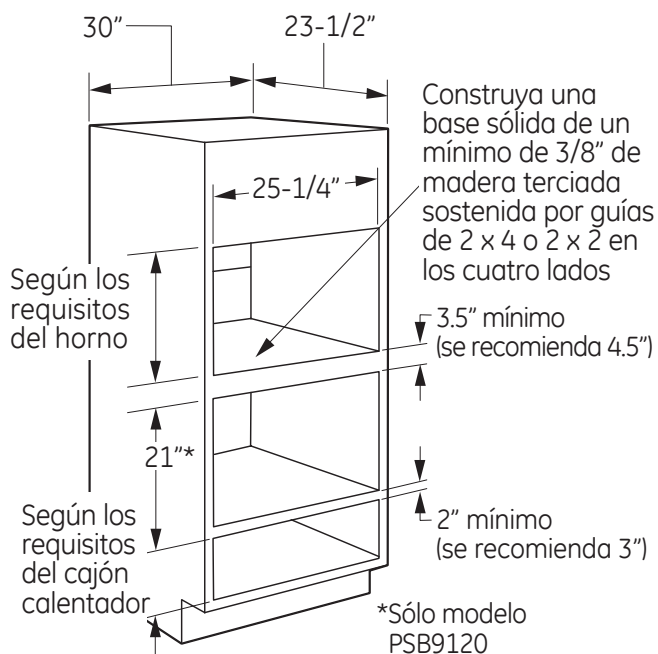
Instalación sobre otro horno bajo el mostrador (BEM) GE/Monogram:



- Si usted está montando un horno bajo el mostrador GE/Monogram sobre otro, utilice las dimensiones indicadas. El riel medio que separa las dos aberturas puede tener que ser mayor al mínimo de 2" indicado.

### CÓMO PREPARAR LA ABERTURA (cont.)

Instalación bajo un horno de microondas y sobre un cajón calentador GE/Monogram:



**NOTA:** Pueden necesitarse espacios adicionales entre los recortes. Verifique que los soportes del horno sobre la ubicación de cajón calentador no obstruyan la profundidad y altura interiores requeridas. Para más detalles, consulte las instrucciones de instalación del cajón calentador.

**⚠ PRECAUCIÓN:** Para seguridad personal, la superficie de montaje debe poder soportar la carga del gabinete, además del peso aproximado de 80 libras del horno, más las cargas adicionales del horno de hasta 50 libras o un peso total de hasta 130 libras.

# Preparación para la instalación

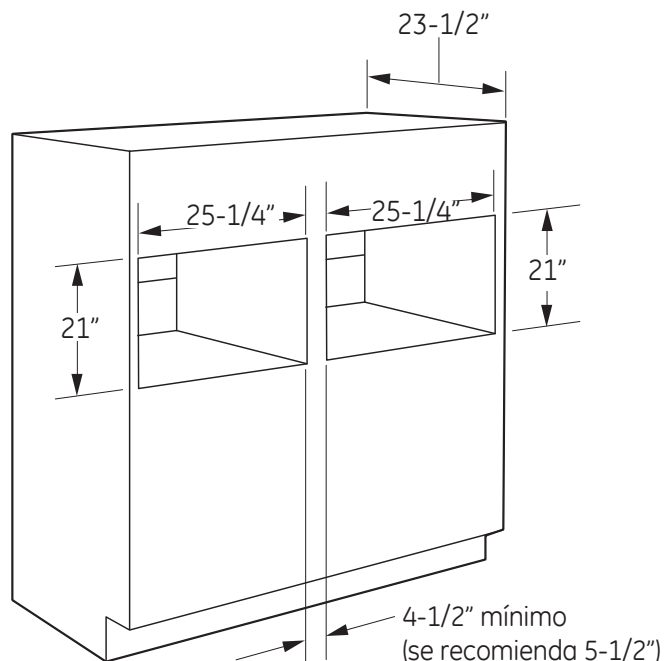
## Preparación **CON** un cajón de almacenamiento de accesorios

NOTA: EL MODELO ZSC1201 SÓLO PUEDE SER INSTALADO CON UN CAJÓN DE ALMACENAMIENTO DE ACCESORIOS SI SE LO INSTALA POR ENCIMA DE 36-3/4". EL MODELO ZSC1202 NO PUEDEN INSTALARSE CON UN CAJÓN DE ALMACENAMIENTO DE ACCESORIOS. VER PREPARACIÓN PARA LA INSTALACIÓN SIN UN CAJÓN DE ALMACENAMIENTO DE ACCESORIOS PARA ESTE MODELO.

### CÓMO PREPARAR LA ABERTURA (cont.)

#### Instalación al lado de otro horno de cocción rápida empotrado GE/Monogram:

- Si usted está montando un horno para debajo del mostrador GE/Monogram al lado de otro, utilice las dimensiones indicadas. El riel medio que separa las dos aberturas puede tener que ser mayor al mínimo de 4-1/2" indicado.



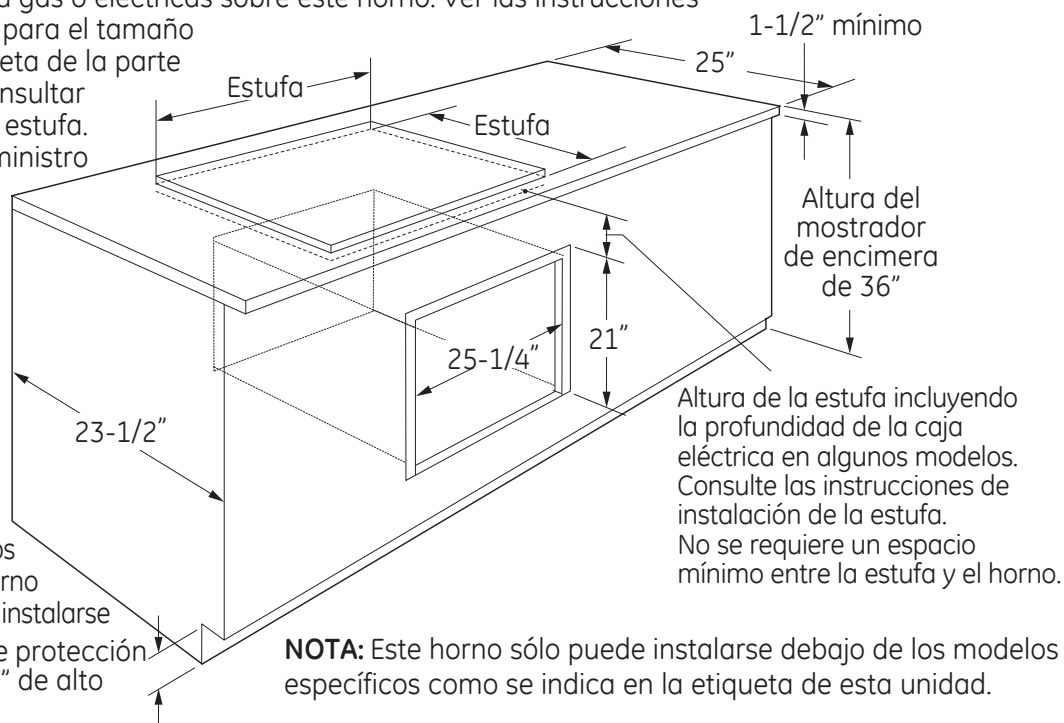
### CÓMO PREPARAR LA ABERTURA (cont.)

#### Instalación bajo una estufa o un mostrador de encimera de 30" o 36" GE Profile:

Pueden instalarse estufas a gas o eléctricas sobre este horno. Ver las instrucciones de instalación de la estufa para el tamaño de la abertura. Ver la etiqueta de la parte superior del horno para consultar los modelos aprobados de estufa. Este horno requiere un suministro eléctrico separado con adecuada conexión a tierra de 15 amperios, 120 voltios y 60 hercios. La estufa necesita un suministro eléctrico separado. Utilice un gabinete con una base de 36" de ancho o mayor.

**IMPORTANTE:** For PSB9120 model only. Sólo para modelos Profile. La combinación de horno y cajón Monogram no puede instalarse debajo de un mostrador de encimera.

Placa de protección de 4" de alto



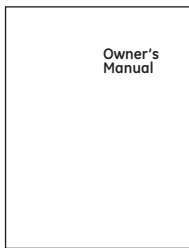
**NOTA:** Este horno sólo puede instalarse debajo de los modelos específicos como se indica en la etiqueta de esta unidad.



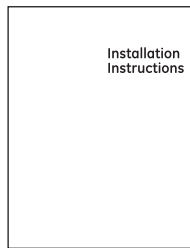
# Instrucciones de instalación

## 1 QUITE EL EMPAQUE Y LAS PIEZAS

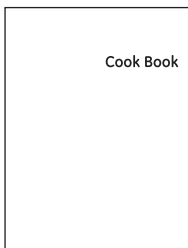
- Quite todo el material de empaque y la cinta.
- Ubique el paquete de piezas que contiene tornillos de montaje.
- Quite el horno de la caja de cartón. No levante la unidad de la manija o conducto. Se necesitan dos personas para levantar este horno.
- Abra la puerta y quite los elementos de empaque del interior del horno.



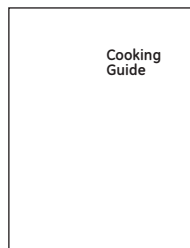
Manual del Propietario



Instrucciones de instalación



Libro de cocina



Guía de cocción



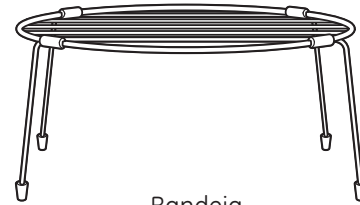
Bandeja de vidrio



Anillo giratorio

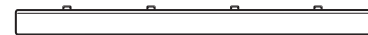


Bandejas de metal (2)



Bandeja

**PRECAUCIÓN:** Si va a instalar el horno Advantium de 120V debajo de 36", usted debe utilizar el reborde inferior **plástico** debido al riesgo de quemaduras para los niños. El reborde plástico actúa como aislante y evitará que los niños sufran quemaduras provocadas por las superficies calientes.



Reborde inferior - Plástico



Reborde inferior - Metálico



6 tornillos de bronce  
(3 requeridos, 3 extra)



5 tornillos de color  
(4 requeridos, 1 extra)

**IMPORTANTE:** Si va a instalar el horno Advantium de 120V con un cajón de almacenamiento para accesorios, lea las instrucciones de montaje del cajón de almacenamiento para instalar los productos antes de seguir con el Paso 2.

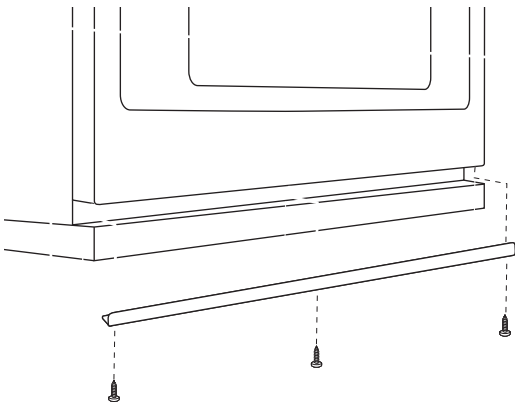
# Instrucciones de instalación

## 2 REMOCIÓN DEL REBORDE DE LA PUERTA SÓLO PARA INSTALACIONES SOBRE 36"

Si va a instalar el horno Advantium de 120V a una distancia de 36" del piso, usted puede quitar el reborde plástico de la parte inferior de la puerta para fines estéticos.

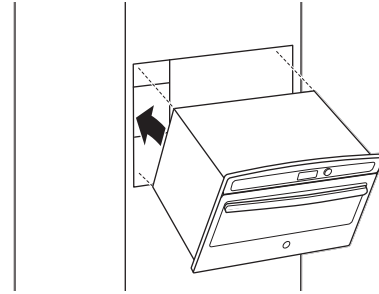
**⚠ PRECAUCIÓN:** Si va a instalar el horno Advantium de 120V debajo de 36", usted no debe quitar el reborde plástico de la puerta debido al riesgo de quemaduras para los niños. El reborde plástico actúa como aislante y evitará que los niños sufran quemaduras provocadas por las superficies calientes.

- Si va a realizar la instalación por encima de las 36", quite los 3 tornillos que fijan el reborde plástico a la parte inferior de la puerta.
- Descarte el reborde plástico. Vuelva a colocar los tornillos.



## 3 DESLICE EL HORNO DENTRO DE LA ABERTURA

**⚠ PRECAUCIÓN:** Se necesitan dos personas para levantar el horno hasta la abertura. Tómelo de la parte inferior desde el frente y la parte trasera. NO USE LA MANIJA PARA LEVANTAR EL HORNO. SE PRODUCIRÁN DAÑOS.



- Levante y sostenga el horno en el frente de la abertura. Sostenga el horno en un ángulo y enchufe el cable eléctrico.
- Con cuidado, deslice el horno dentro del gabinete a mitad de camino. Deje el horno unas pulgadas más adelante del armazón del gabinete.
- Verifique que el cable eléctrico no haya quedado atrapado bajo el horno o a lo largo de los costados del horno.

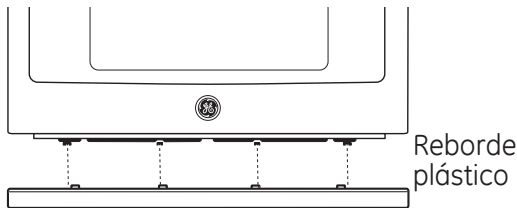
# Instrucciones de instalación

## 4 INSTALE EL REBORDE INFERIOR

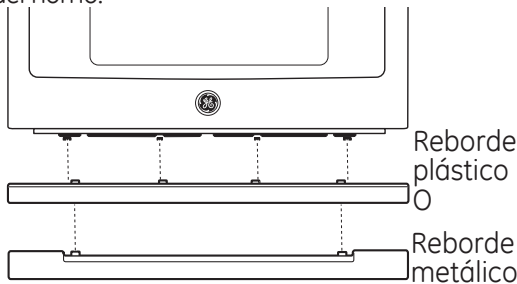
**⚠ PRECAUCIÓN:** Si va a instalar el horno Advantium de 120V debajo de 36", usted debe utilizar el reborde inferior **plástico** debido al riesgo de quemaduras para los niños. El reborde plástico actúa como aislante y evitará que los niños sufran quemaduras provocadas por las superficies calientes.

**NOTA:** Si va a instalar el horno Advantium de 120V con un cajón de almacenamiento de accesorios, no se requiere el reborde inferior. Siga con el Paso 5.

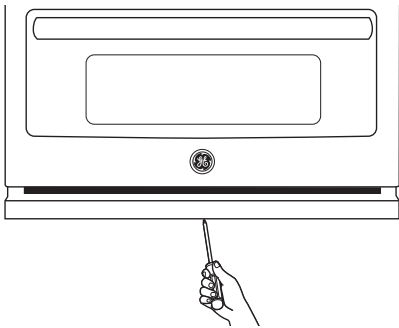
- **Instalación debajo de 36"**, alinee las lengüetas del reborde plástico con las ranuras de la parte inferior del horno.



- **Instalación encima de 36"**, alinee las lengüetas del reborde plástico o metálico con las ranuras de la parte inferior del horno.



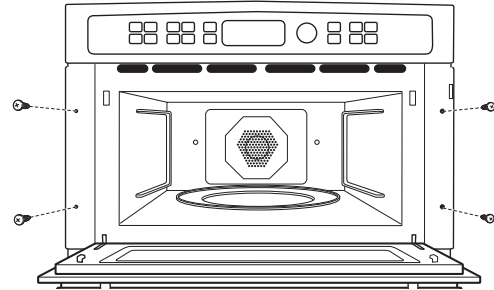
- Fije el reborde inferior a la parte inferior del horno utilizando los 3 tornillos provistos.



## 5 INSTALE EL REBORDE INFERIOR CON EL CAJÓN DE ACCESORIOS

Si va a instalar un cajón de accesorios, consulte las instrucciones de instalación de la página 17 o las instrucciones que vienen con el cajón de accesorios.

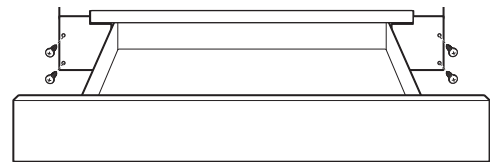
## 6 INSTALE LOS TORNILLOS DE MONTAJE



- Deslice el horno por la distancia que falta dentro de la abertura para que las bridas laterales y el panel de control se encuentren contra el armazón del gabinete. Verifique que el horno esté centrado en la abertura.
- Abra la puerta, coloque una bandeja giratoria dentro del horno y asegúrese de que la bandeja de la unidad esté nivelada.
- Perfore orificios piloto a través de las bridas laterales.
- Introduzca los tornillos de color dentro de las bridas laterales. Se recomienda ajustar los tornillos a mano.

**Si va a instalar el horno con un cajón de almacenamiento de accesorios:**

- Abra el cajón.
- Perfore orificios piloto a través de las bridas laterales.
- Introduzca los tornillos de color dentro de las bridas laterales. Se recomienda ajustar los tornillos a mano.



**NOTA:** Si va a instalar el horno Profile Advantium de 120V con un cajón de almacenamiento de accesorios, usted debe utilizar el soporte de montaje sobre el mostrador (SEM) para el cajón.

Si va a instalar el modelo integrado Monogram Advantium ZSC1201 sobre 36", debe utilizarse el soporte de montaje SEM para el cajón de almacenamiento de accesorios.

## 7 FINALICE LA INSTALACIÓN

- Encienda la electricidad desde la fuente. La luz interior debe encenderse cuando se abre la puerta.
- Consulte el Manual del Propietario para instrucciones operativas.

# Instrucciones de montaje

## Cajón de almacenamiento de accesorios empotrado Advantium®

### JX2200, JX2201, ZX2201

#### ANTES DE COMENZAR

Lea estas instrucciones por completo y con detenimiento. Lea las Instrucciones de instalación del horno Advantium de 120V o 240V por completo y con detenimiento sobre las dimensiones del recorte y las instrucciones paso a paso.

**IMPORTANTE** – Guarde estas instrucciones para el uso de inspectores locales.

**IMPORTANTE** – Cumpla con todos los códigos y ordenanzas vigentes.

- **NOTA AL INSTALADOR:** Asegúrese de dejar estas instrucciones al consumidor.
- **NOTA AL CONSUMIDOR:** Conserve estas instrucciones con el Manual del Propietario del horno Advantium de 120V o 240V para referencia futura.
- **NIVEL DE CAPACIDAD:** La instalación de este aparato requiere capacidades mecánicas básicas.
- **TIEMPO DE FINALIZACIÓN:** Una hora con la instalación de un horno Advantium de 120V o 240V.
- El instalador tiene la responsabilidad de efectuar una instalación adecuada.
- La Garantía no cubre las fallas del producto debido a una instalación incorrecta. Ver el Manual del Propietario del horno Advantium de 120V o 240V para información sobre la garantía.

#### MODELOS DISPONIBLES

##### Modelos Profile:

JX2200BB–Negro

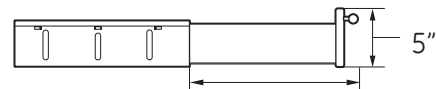
JX2201SS–Acero inoxidable

##### Modelos Monogram:

ZX2201SS–Acero inoxidable (sólo para instalación sobre 36")

**NOTA:** El modelo ZSC2202SS de Advantium de 240V y el modelo ZSC1202 Advantium de 120V **NO PUEDEN instalarse con un cajón de almacenamiento de accesorios**. Ver Preparación para la instalación sin un cajón de almacenamiento de accesorios en las Instrucciones de instalación para estos modelos.

#### DIMENSIONES Y ESPACIOS DEL PRODUCTO



Deje un espacio de 15" para cuando se abra por completo

**NOTA:** La apariencia varía según el modelo.

#### HERRAMIENTAS REQUERIDAS

- Destornillador de estrella #2

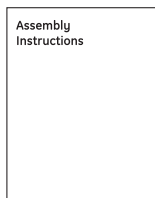
#### PIEZAS PROVISTAS

- 2 soportes laterales
- Tornillos (8)
- Tornillos (de color) (5)
- Soporte de montaje para debajo del mostrador (1)

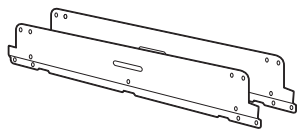
# MONTAJE EN UN HORNO DE COCCIÓN RÁPIDA EMPOTRADO ADVANTIUM

## 1 QUITE EL EMPAQUE Y LAS PIEZAS

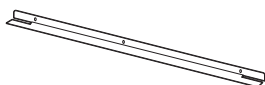
- Quite el cajón de la caja de cartón.
- Quite todo el material de empaque y la cinta.
- Abra el cajón y quite las piezas del interior.
- Ubique las piezas.



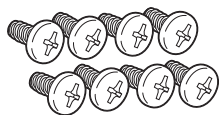
Instrucciones de montaje



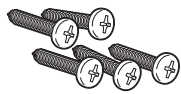
Soportes laterales (2)



Soporte de montaje sobre el mostrador (SEM)



Tornillos (6 requeridos, 2 extra)

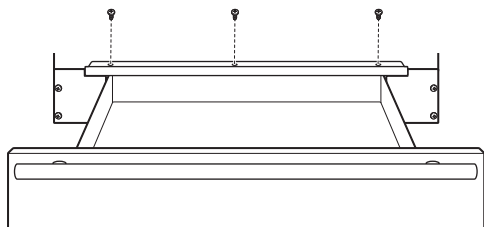


Tornillos de color (4 requeridos, 1 extra)

## 2 INSTALACIÓN DE SOPORTE DE MONTAJE BAJO EL MOSTRADOR (BEM)

**NOTA:** Sólo para modelos BEM PSB9120 y ZSC1201.

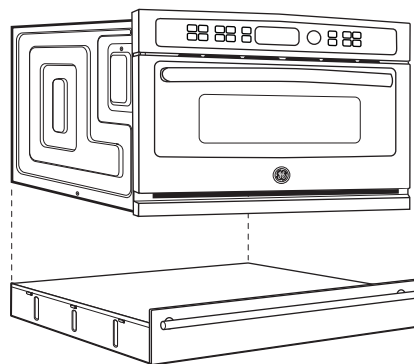
- A** Abra el cajón de accesorios para tener acceso al soporte superior.
- B** Quite los tres tornillos que fijan el soporte superior.
- C** Instale el nuevo soporte de montaje BEM utilizando los tornillos quitados anteriormente.



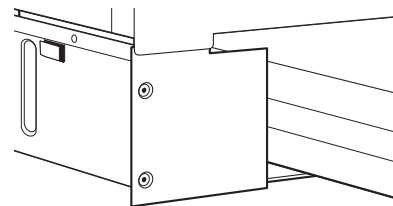
- D** Cierre el cajón y siga con la instalación.

## 3 CÓMO MONTAR EL HORNO AL CAJÓN

- A** Coloque el cajón de almacenamiento sobre una superficie con el frente del cajón colgando sobre el borde de la superficie. No colocar el lado frontal del cajón sobre el borde de la superficie puede provocar daños al cajón ya que el lado frontal del mismo cuelga sobre la parte inferior del cajón.
- B** Coloque el horno sobre el cajón de almacenamiento. Verifique que la parte trasera de los costados del horno se encuentren alineados con la parte trasera y los lados del cajón.



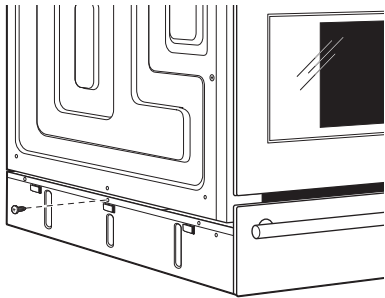
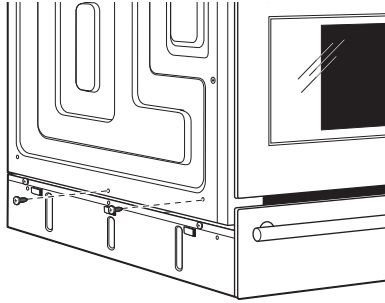
**NOTA:** La parte inferior de las bridas laterales del horno descansan directamente frente a la parte superior de las bridas laterales del cajón de almacenamiento.



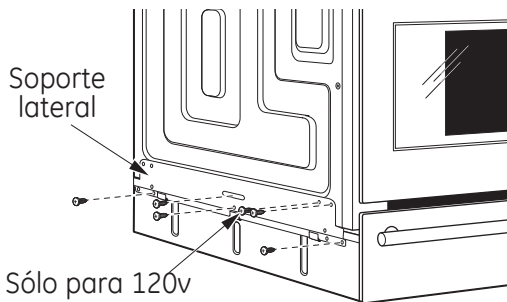
# MONTAJE EN UN HORNO DE COCCIÓN RÁPIDA EMPOTRADO ADVANTIUM

## CÓMO MONTAR EL HORNO AL CAJÓN (cont.)

- C** Quite los dos tornillos inferiores frontales de cada lado del horno y el tornillo central superior sobre cada lado del cajón de almacenamiento.



- D** Coloque los soportes laterales dentro de las lengüetas del cajón y fíjelos utilizando los tornillos provistos y los tornillos quitados en el Paso C.



- E** El horno y el montaje del cajón de almacenamiento ya se encuentran listos para ser instalados. Vuelva a las Instrucciones de instalación del horno de cocción rápida empotrado Advantium de 120V o 240V para completar la instalación.

# Notas

---

**NOTA:** Mientras efectúa las instalaciones descritas en este libro, deben utilizarse gafas o lentes de seguridad.

**NOTA:** La mejora de los productos es un esfuerzo continuo para General Electric. Por lo tanto, los materiales, la apariencia y las especificaciones pueden sufrir cambios sin previo aviso.



**GE Appliances & Lighting**  
Appliances  
General Electric Company  
Louisville, KY 40225  
[GEAppliances.com](http://GEAppliances.com)