

## Toilet Tissue Holder 4809

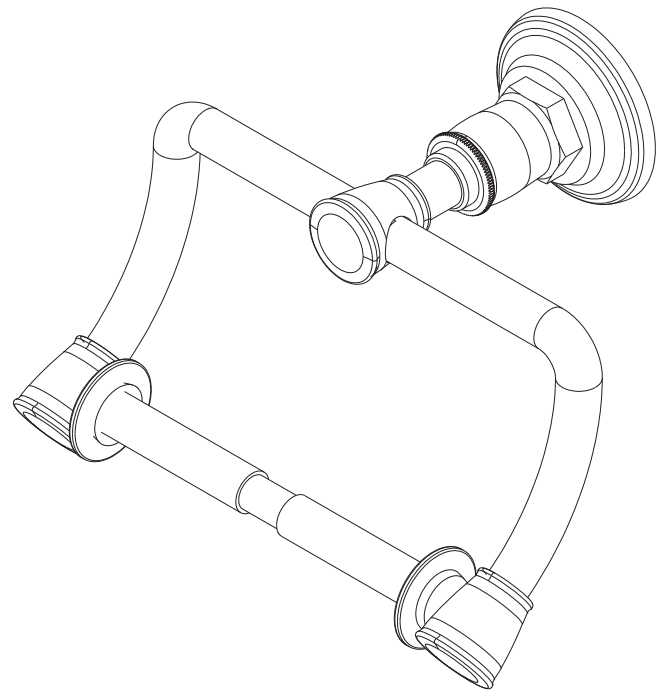
### Features

- Solid brass construction
- Single-post design with non-separating spring-loaded roller
- Complements Eavon product series

### Codes / Standards Compliance

Meets or exceeds the following at date of manufacture:

- All applicable US Federal and State material regulations



### Colors / Finishes

- PC: Polished Chrome
- PN: Polished Nickel
- SN: Satin Nickel

### Specified Model

Model	Description	Colors   Finishes
4809	Toilet Tissue Holder	<input type="checkbox"/> PC <input type="checkbox"/> PN <input type="checkbox"/> SN

### Product Specification: Add glass type designator and "Color / Finish" suffix to Model number, below

The Toilet Tissue Holder shall be made of solid brass construction and incorporate a single-post, spring-loaded roller design. Toilet Tissue Holder shall complement Ginger Eavon product series. Toilet Tissue Holder shall be GINGER Model 4809/\_\_\_\_\_.

# 4809

## Product Dimensions *(units are in inches)*

