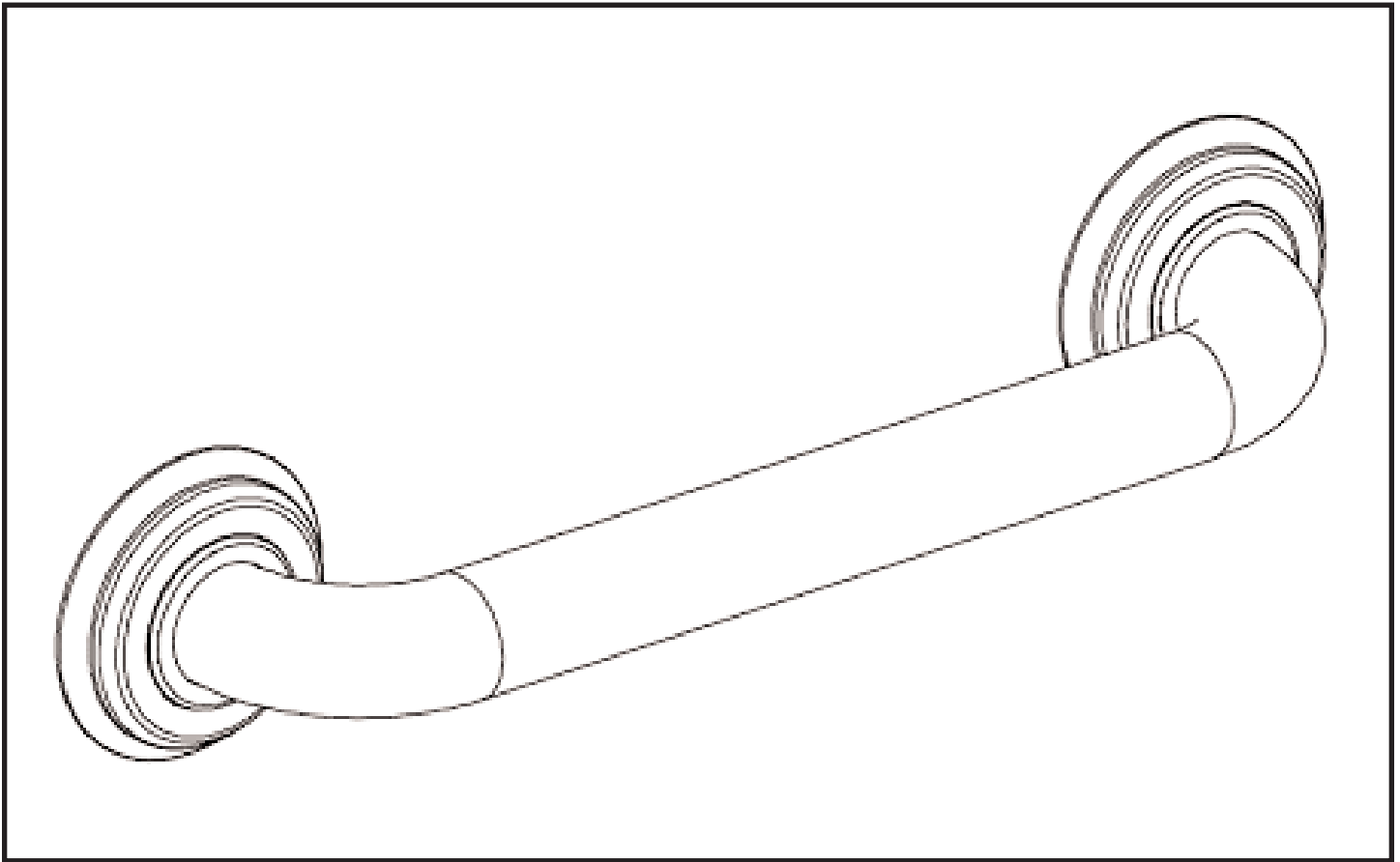


GRAB BAR  
INSTALLATION INSTRUCTIONS  
Model No: 5460 thru 5466



GINGER<sup>®</sup>  
*Luxury For Your Lifestyle*<sup>™</sup>

2001 CARNEGIE AVE, SANTA ANA CA 92705

(949) 417-5207

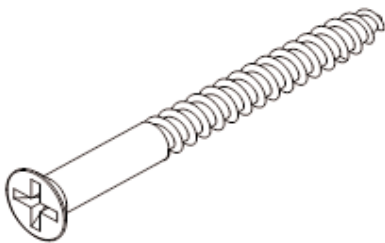
WWW.GINGERCO.COM

### ITEMS INCLUDED

MOUNTING FLANGE X2



#10 WOOD SCREW X6



GRAB BAR ASSEMBLY (BAR FROM 5460 SHOWN) X1



### TOOLS REQUIRED

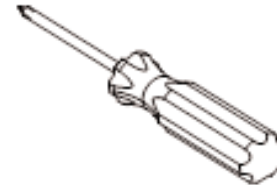
SAFETY GLASSES



DRILL



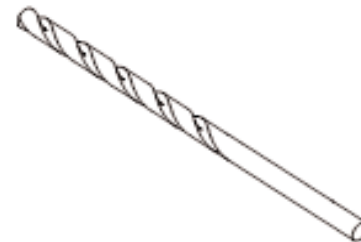
PHILLIPS SCREW DRIVER



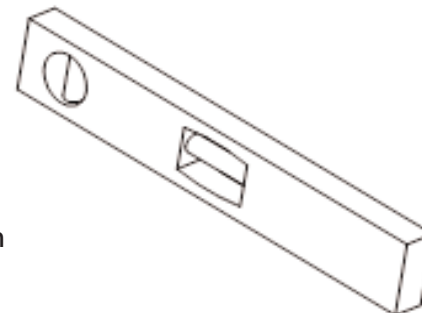
PEN / PENCIL



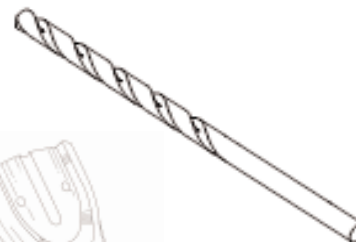
7/64" DRILL BIT



LEVEL SET



1/4" CARBIDE TIP DRILLBIT (if drilling through ceramic tile)



STUD FINDER



## SAFETY WARNINGS

1. **DO NOT** install this equipment without first reading and understanding this instruction sheet. If you are unable to understand these Warnings and Instructions, contact a health care professional, dealer or technical personnel for assistance before attempting to install this equipment- otherwise, injury may occur.
2. After ANY adjustments, repair or service and **BEFORE** use, make sure that all attaching hardware is tightened **securely**.
3. Grab Bars add security for bath and commode areas if attached as instructed. Location, size and angle of bars should be determined by a qualified professional to provide optimum safety and function.
4. Use **EXTREME** caution on wet tub or floor surfaces.
5. Users with limited physical capabilities should be supervised or assisted in bath and commode areas, even when using the Grab Bars.
6. This Grab Bar can provide support and increased stability for an individual weighing up to **350 pounds**. Grab Bars are **NOT** designed to support the total weight of an individual. **Use the bar for assistance ONLY**.
7. Be sure Grab Bars are correctly and securely installed. **NEVER** use Grab Bars if any looseness is noted.

### BEFORE INSTALLING GRAB BAR:

1. Remove the Grab Bar and parts from the package.
2. Locate wood wall studs.
3. Attach Mounting Flange onto Grab Bar, tighten M5 setscrew, then place Grab Bar over wall stud at desired position.
4. Mark the hole pattern if installing over ceramic tiles, place masking tape on the mounting area before marking the hole location.



## WARNING

**BOTH ends of grab bar must be installed into WOOD wall studs**

### GRAB BAR MAY NOT PROVIDE DESIGNED AMOUNT OF SUPPORT UNLESS THESE INSTRUCTIONS ARE STRICTLY FOLLOWED

**For proper installation**, both ends of Grab Bar **MUST** be positioned over a wall stud.

For solid support, at least two (2) of the three (3) screws at each end of the Grab Bar **MUST** go through the wall-board or tile and be tightly secured into the wallstud.

**Grab Bar may be installed vertically, horizontally or at an angle, so long as at least two (2) of the three (3) mounting screws on both ends of the Grab Bar are secured into a wall stud (see Figure 2).**

Locate the wall studs behind the wall before beginning installation (a stud finder can be obtained from a hardware store).

### THE FOLLOWING STEPS REQUIRE DRILLING INTO THE WALL

When drilling into the wall, exercise care to avoid any electrical wiring or plumbing that may be located behind the wall. Damaged electrical wiring can cause electrical shock and/or fire. Since older homes do not always fall in line with current housing codes and requirements, know where internal wall wiring is located so that no wires will interface with your installation.

**PROPER INSTALLATION IS EXTREMELY IMPORTANT. IF IN DOUBT, INSTALLATION SHOULD BE DONE BY A QUALIFIED PROFESSIONAL.**

### TO INSTALL INTO WOOD WALL STUDS:

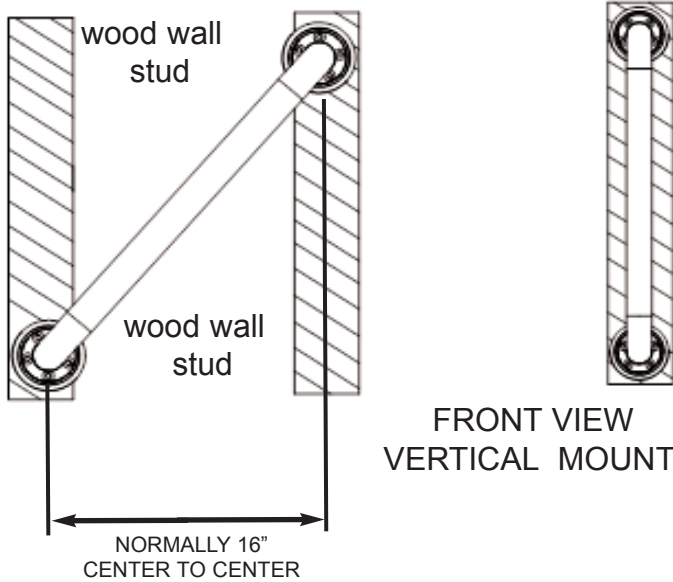
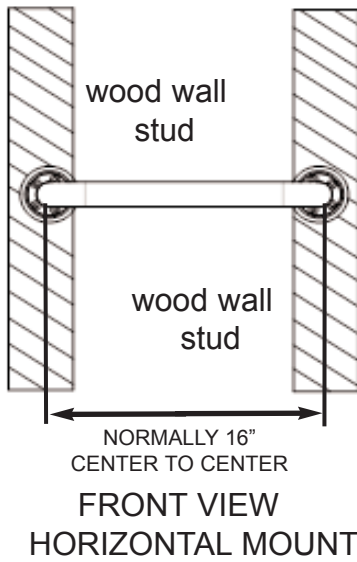
1. Put on safety glasses before starting.
2. Use the power drill and 7/64 inch drill bit to drill all holes into the wall and wood wallstuds at the marked positions.  
**NOTE:** If installing Grab Bar over ceramic tiles, the 1/4 inch carbide tip drill bit will be needed for drilling through the tile, in order to prevent damage to the tiles. Drill pilot holes through the tiles by using a 1/4 inch carbide tip drill bit. Once a hole has been drilled through the ceramic tiles, use the 7/64 -inch drill bit to drill a pilot hole in the wood wall stud itself.
3. Place Grab Bar on wall, aligning mounting holes with the holes in the wall.
4. Apply a bead of silicone sealant designed for wet applications to the back face of both grab bar mounting flanges. This will help prevent water from bleeding through the mounting holes and potentially damaging the wallboard.
5. Insert the wood screws provided into one end of the Grab Bar, screw into wall and wall stud. **(HAND TIGHTEN ONLY)** (see Figure 3).
6. Repeat **Step 4** for opposite end of the Grab Bar.
7. **Securely** tighten all mounting Wood Screws with a screw driver.
8. Install O-ring onto grab bar Mounting Flange.
9. Slide Escutcheon around bend and press into place over Mounting Flange O-ring. Wetting O-ring aids installation (See Figure 3).

GNG-5460

EN-3841

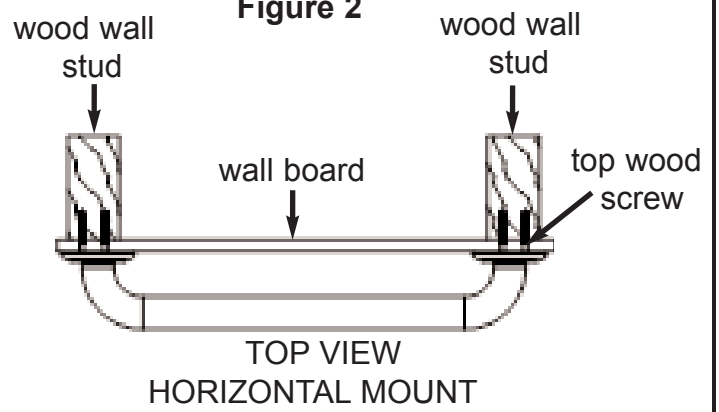
REV-

Figure 1

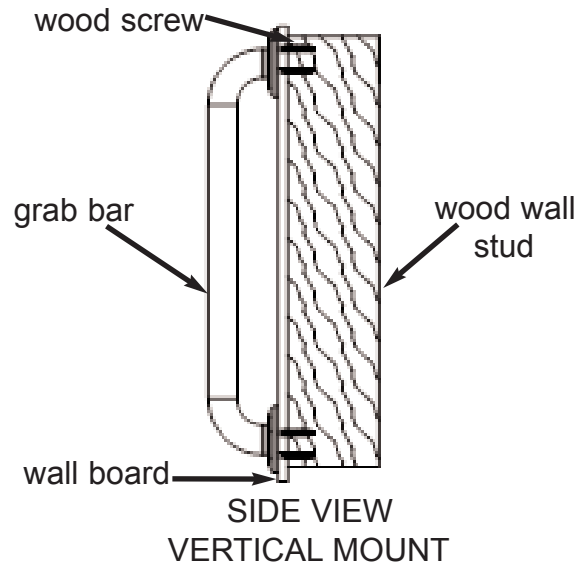


FRONT VIEW VERTICAL MOUNT

Figure 2

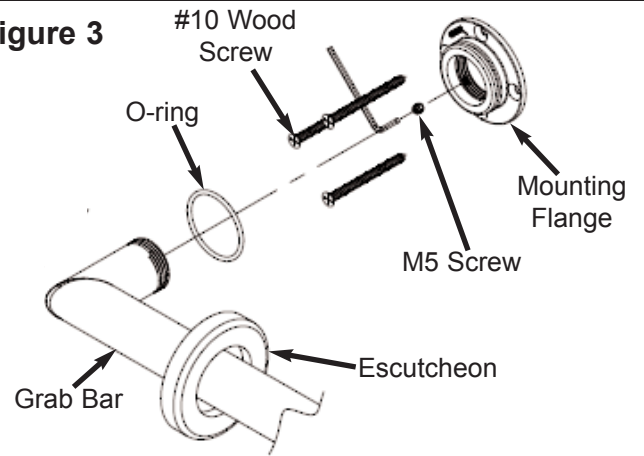


TOP VIEW HORIZONTAL MOUNT



SIDE VIEW VERTICAL MOUNT

Figure 3



**USING GRAB BAR:**

1. Read understand and follow the information in the **SAFETY WARNINGS** section of this instruction booklet. Brasstech Inc. shall have no liability for any damage or injury caused by improper installation or use of this Grab Bar.
2. Grasp the Grab Bar when exiting or entering the bathtub or when sitting down or rising from the commode.
3. Use **EXTREME** caution on wet tub or floor surfaces.
4. **DO NOT** put entire weight on Grab Bar. Grab Bar is rated for persons weighing up to **350 pounds** when properly installed.
5. **DO NOT** stand, sit or step on Grab Bar. **DO NOT** use Grab Bar as a step or platform to reach above the tub. **Use the bar for assistance ONLY.**

**CARE AND MAINTENANCE:**

1. Use of mild soap and water or a non-abrasive cleaner is recommended for cleaning.
2. Periodically inspect the Grab Bar for damage or looseness.  
**DO NOT** use if any damage or looseness exists. Contact your authorized dealer for assistance.
3. **SAVE THESE INSTRUCTIONS FOR FUTURE REFERENCE.**