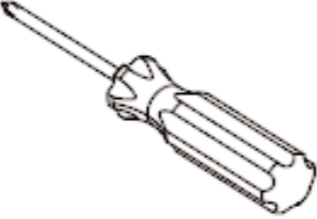
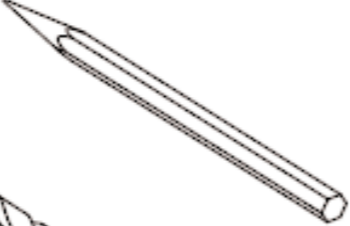
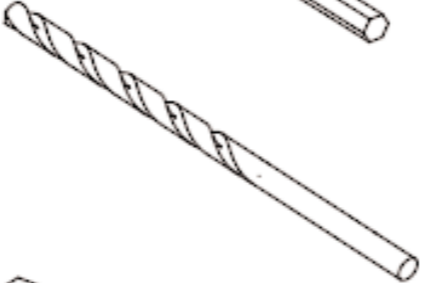
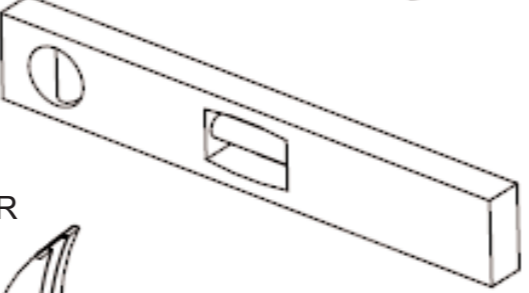
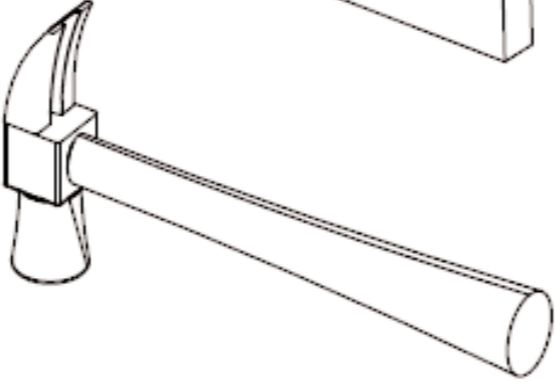


ITEMS INCLUDED		TOOLS REQUIRED	
DRY WALL ANCHOR	X 4	PHILLIPS SCREW DRIVER	
TILE ANCHOR	X 4	PEN / PENCIL	
#8 SCREW	X 4	1/4" (6 mm) DRILL	
MOUNTING BRACKET	X 2	LEVEL SET	
M6 X 6 SET SCREW	X 2	HAMMER	
3 MM HEX KEY	X 1		
TOWEL BAR	X 1		

## INSTALLATION INSTRUCTIONS

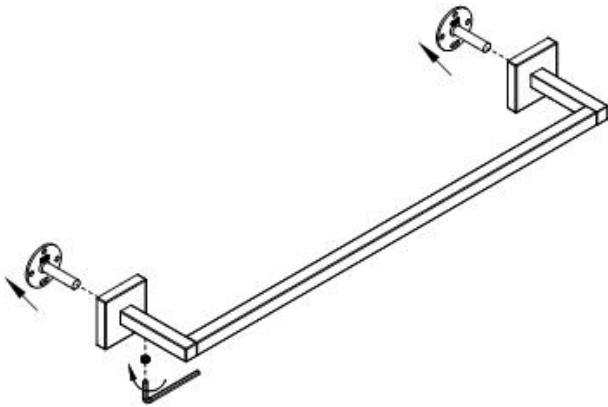
### TOWEL BAR



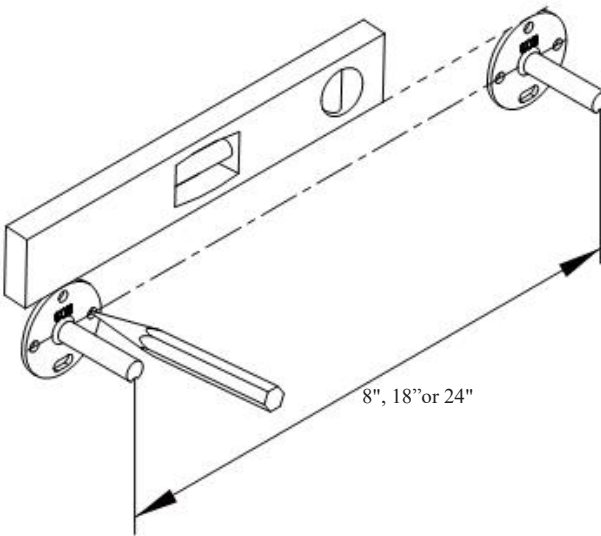
2001 CARNEGIE AVE, SANTA ANA CA 92705  
 (949) 417-5207  
 WWW.NEWPORTBRASS.COM

REV -

① REMOVE MOUNTING BRACKETS

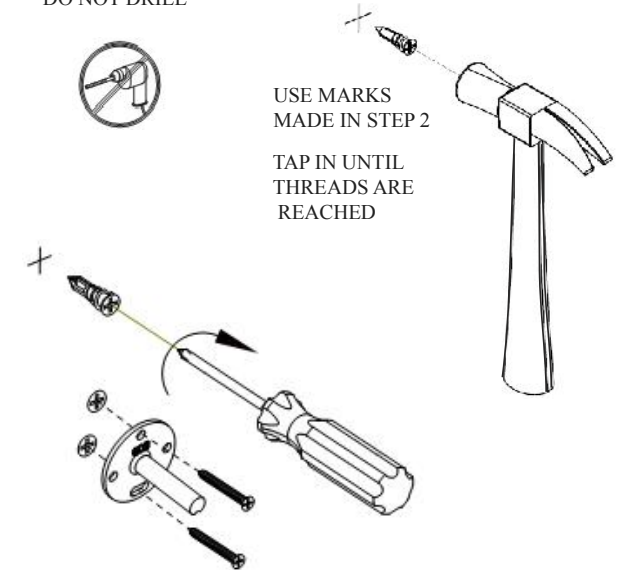


② ALIGN MOUNTING BRACKETS AND MARK LOCATION

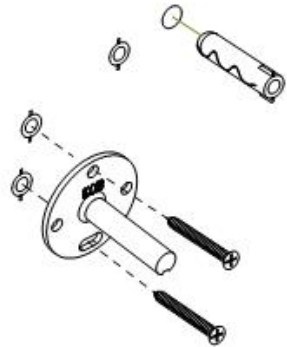
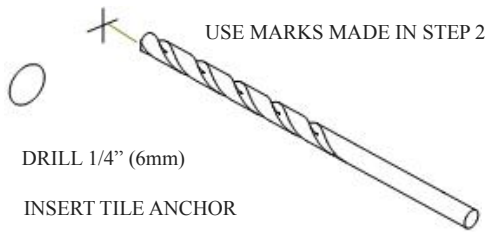


③ DRY WALL INSTALLATION

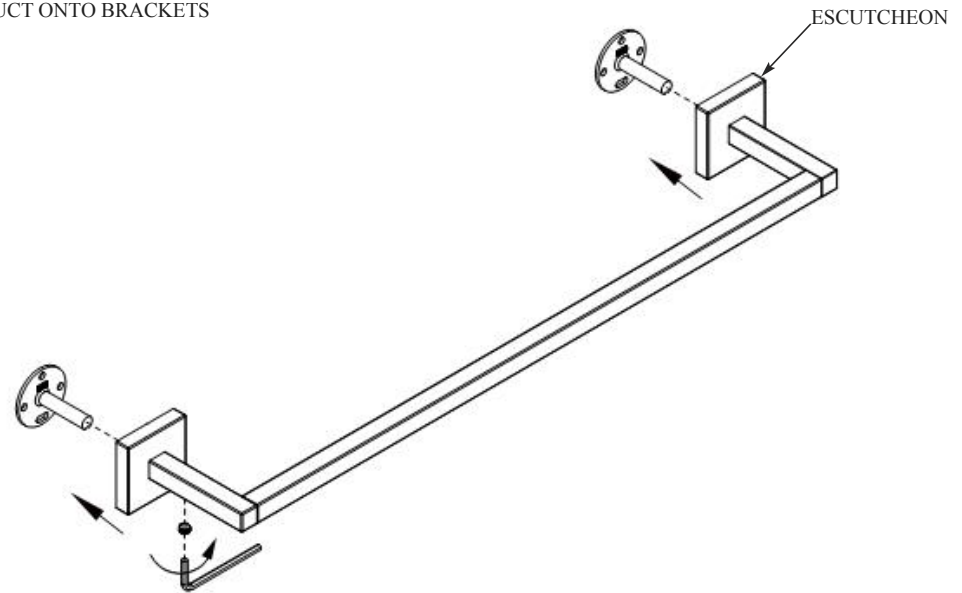
DO NOT DRILL



④ TILE OR SOLID WALL INSTALLATION



⑤ INSTALL PRODUCT ONTO BRACKETS



SECURE WITH SET SCREW