

4

3

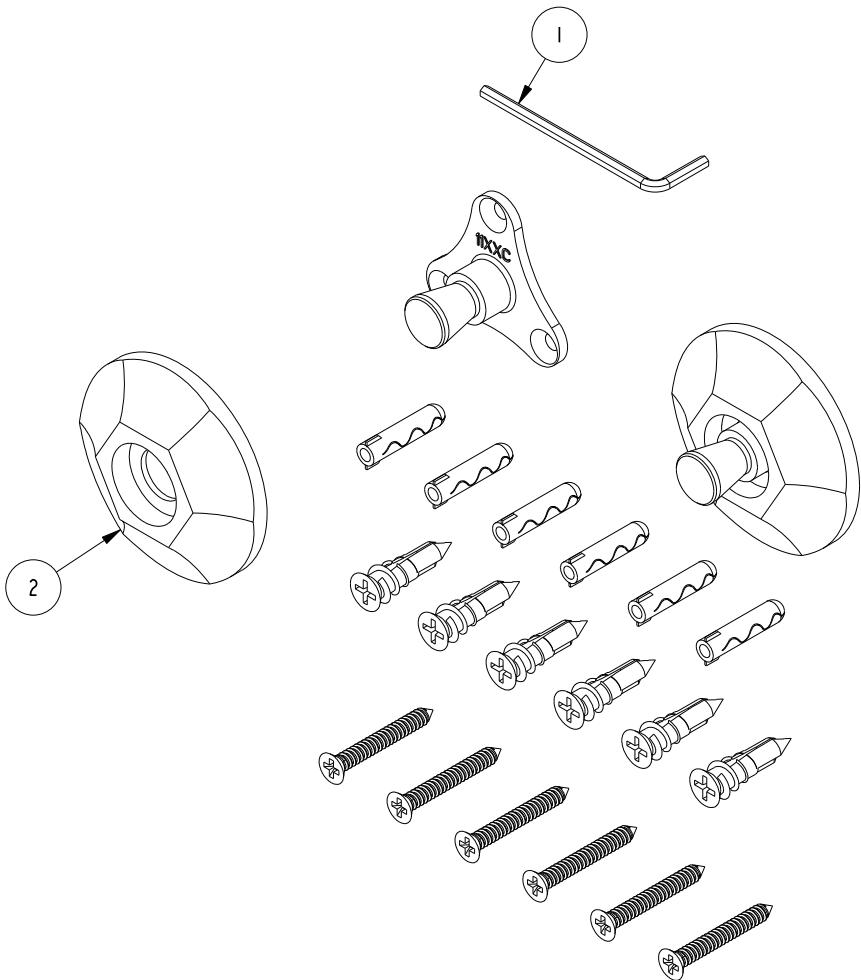
2

NOTES:

(NI) 1. FIT / FORM / FUNCTION SHALL FOLLOW PS-E.008.

BILL OF MATERIAL (CURRENT LEVEL)

| ITEM | PT/ASSY | DESCRIPTION                   | TYPE     | QTY. |
|------|---------|-------------------------------|----------|------|
| 1    | 4BX     | 4BX HOTEL SHELF MOUNTING PACK | ASSEMBLY | 1    |
| 2    | 0600C   | TOWEL SHELF ROSETTE           | PART     | 2    |



COPYRIGHT 2005 BRASSTECH, INC.  
 THESE DRAWINGS AND THE DESIGNS  
 DEPICTED HEREIN ARE THE PROPRIETARY  
 PROPERTY OF BRASSTECH. ANY USE  
 OR REPRODUCTION IS SUBJECT TO  
 THE EXPRESS APPROVAL OF BRASSTECH.  
 UNAUTHORIZED USE IS STRICTLY  
 PROHIBITED. ALL RIGHTS RESERVED.

|                   |                                  |             |         |
|-------------------|----------------------------------|-------------|---------|
| TESTING           | -                                | -           | -       |
| ASSEMBLY          | -                                | -           | -       |
| PLATING           | -                                | -           | -       |
| POLISHING         | -                                | NEXT ASSY   | USED ON |
| MACHINING         | -                                | APPLICATION |         |
| TOOLING FIXTURE # | REMOVE ALL BURRS AND SHARP EDGES |             |         |

|  |               |
|--|---------------|
| UNITS ARE: INCHES [MM]                                     |               |
| TOLERANCES ARE:  |               |
| FRACTIONS DECIMALS   | ANGLES        |
| ±1/16"   | ±1°           |
| .X ±.1 [2,5]   |               |
| .XX ±.06 [1,5]   |               |
| (X.XXX) DENOTES CRITICAL DIMS.<br>ALL THREADS ARE CRITICAL |               |
| DRAWN  | R.S. 01/13/16 |
| CHECKED  | J.M. 01/13/16 |
| APPROVED   | J.M. 01/13/16 |

**BRASSTECH** 2001 CARNEGIE AVE.  
 INCORPORATED SANTA ANA, CA 92705  
 (949) 417-5207

**HOTEL SHELF MOUNTING KIT**

DWG NO. **640B** REV A

SCALE .500 REF. - SHEET | OF |

| -    | A   | EN-2949     | 01/13/16 | J.M.     |
|------|-----|-------------|----------|----------|
| ZONE | REV | DESCRIPTION | DATE     | APPROVED |

4

3

2