

4

3

2

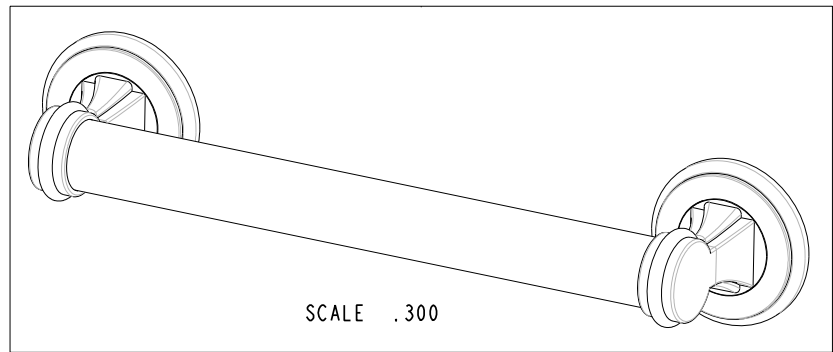
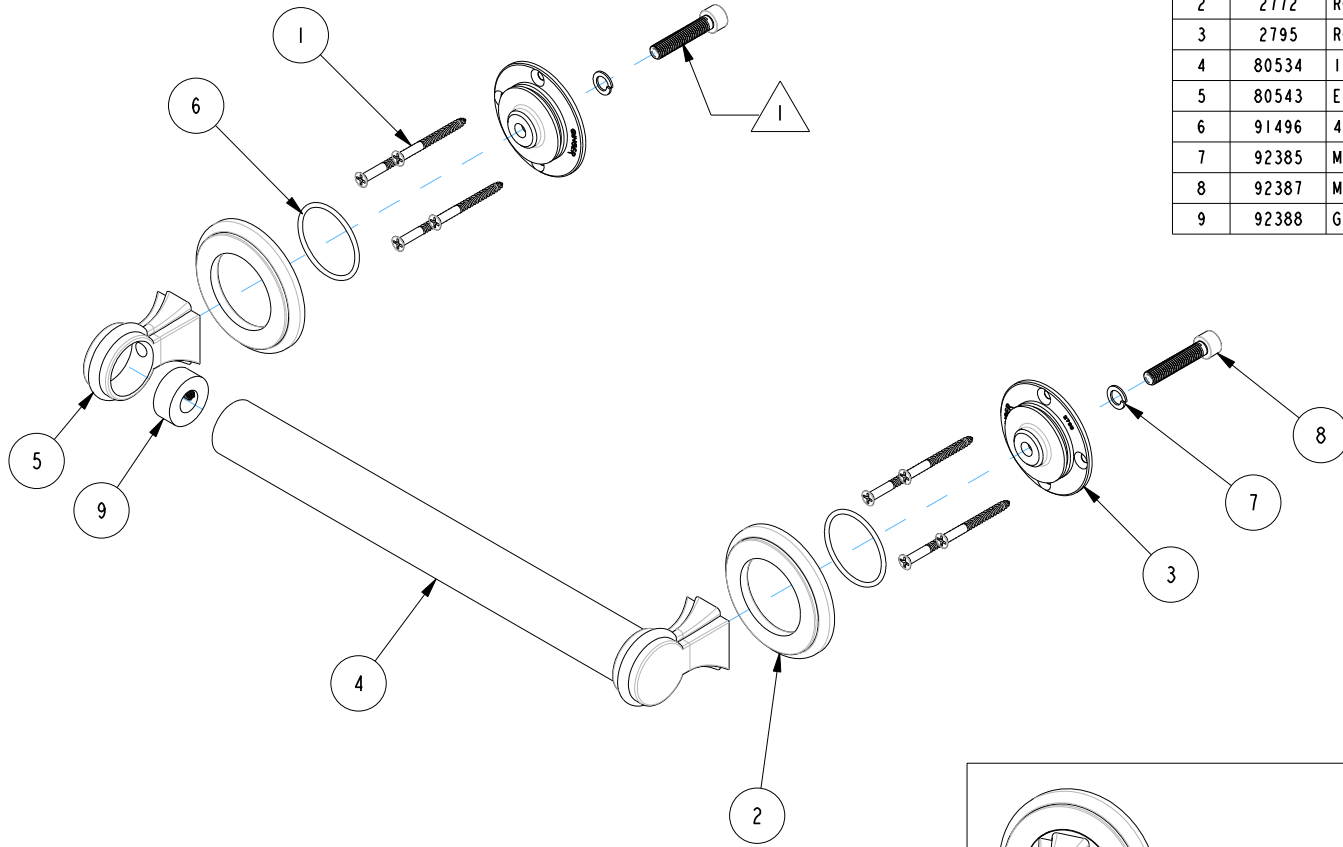
1

NOTES:

1. APPLY ADHESIVE LOCTITE 680 OR EQUIVALENT.

BILL OF MATERIAL (CURRENT LEVEL)

ITEM	PT/ASSY	DESCRIPTION	TYPE	QTY.
1	1-227	GRAB BAR HARDWARE PACK	ASSEMBLY	2
2	2772	ROUND TRIM RING	PART	2
3	2795	ROUND MOUNTING FLANGE	PART	2
4	80534	1-1/4" GRAB BAR TUBE	PART	1
5	80543	END POST	PART	2
6	91496	40mm ID x 2.5mm BUNA-N O-RING	PART	2
7	92385	M8 STAINLESS STEEL LOCKWASHER	PART	2
8	92387	M8 X 40 SOCKET HEAD SS CAP SCREW	PART	2
9	92388	GRAB BAR TUBE INSERT	PART	2



COPYRIGHT 2005 GINGER. THESE DRAWINGS AND THE DESIGNS DEPICTED HEREIN ARE THE PROPRIETARY PROPERTY OF GINGER. ANY USE OR REPRODUCTION IS SUBJECT TO THE EXPRESS APPROVAL OF GINGER. UNAUTHORIZED USE IS STRICTLY PROHIBITED. ALL RIGHTS RESERVED.

GINGER

2001 E. CARNEGIE AVE.
SANTA ANNA CA 92705
(949) 417-5207

12" STRAIGHT GRAB BAR ASSEMBLY

ASSY. NO. 2760

SCALE .250

REF. -

SHEET 1 OF 2

A

EN-1359

10/23/09

REV

REV DESC

DATE

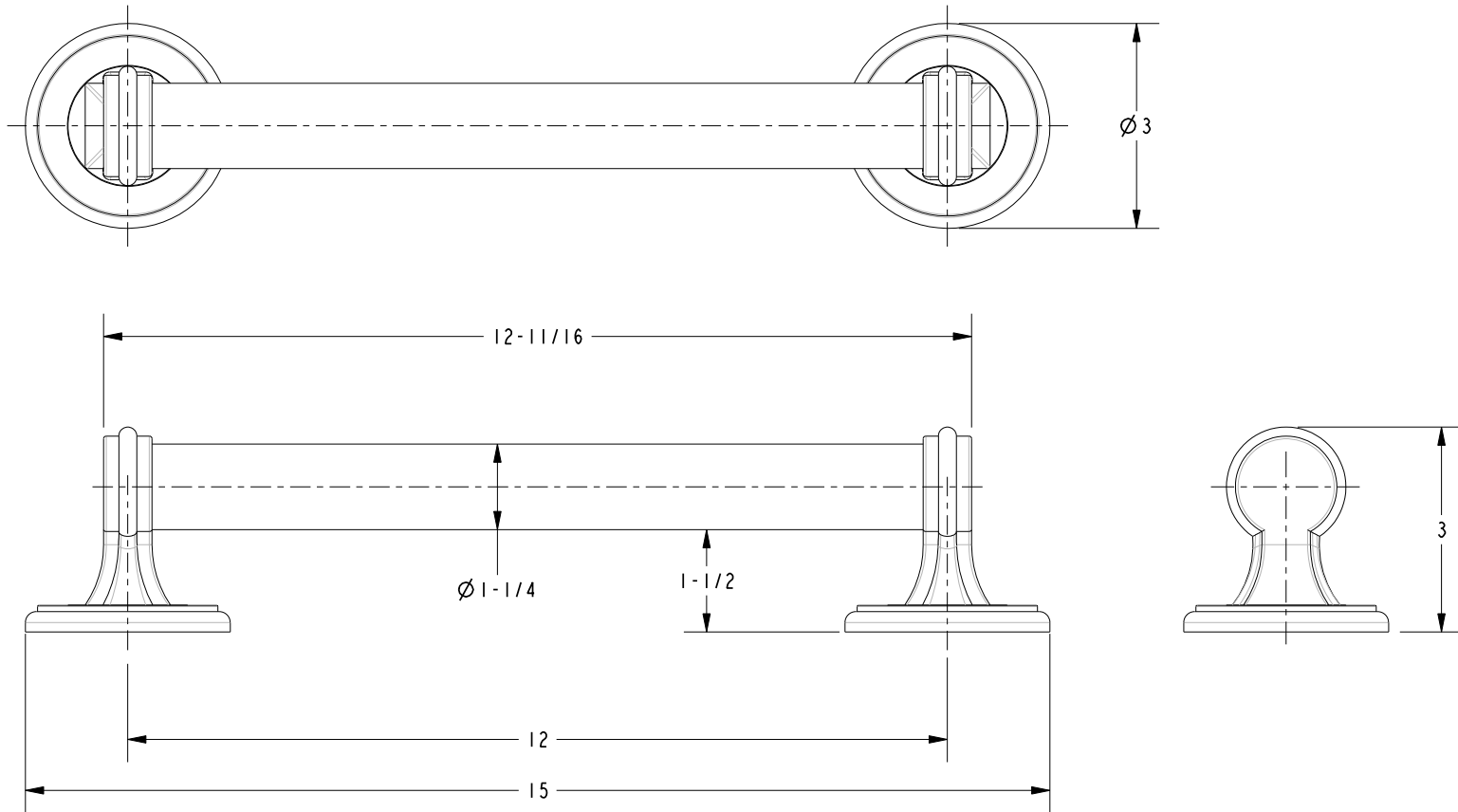
4

3

2

1

SPECIFICATION DWG



 MEETS OR EXCEEDS ASTM F446 STANDARDS AND CONFORMS TO ADA GUIDELINES.

DIMENSIONS ARE IN INCHES AND AN APPROXIMATION OF A TYPICAL INSTALLATION

COPYRIGHT 2005 GINGER. THESE DRAWINGS AND THE DESIGNS DEPICTED HEREIN ARE THE PROPRIETARY PROPERTY OF GINGER. ANY USE OR REPRODUCTION IS SUBJECT TO THE EXPRESS APPROVAL OF GINGER. UNAUTHORIZED USE IS STRICTLY PROHIBITED. ALL RIGHTS RESERVED.

GINGER		2001 E. CARNEGIE AVE. SANTA ANNA CA 92705 (949) 417-5207	
DWG NO.	2760	REV	A
SCALE	.375	REF.	-
		SHEET	2 OF 2