



GLASSCRAFTERS, INC
193 Veterans Blvd., Carlstadt, NJ 07072

1+(800) 233-7362 (F) 1+(888) 233-7362
sales@glasscraftersinc.com

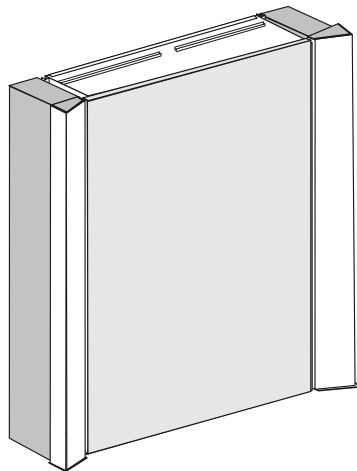
GLASSCRAFTERS INC.

To insure proper installation in complete compliance with your warranty, we recommend installation by a professional installer.

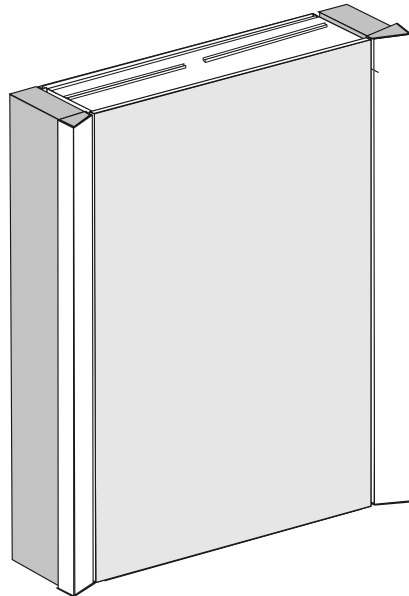
Vertical LED Task Lights for Mirrored Cabinets Installation Instructions

Congratulations on your purchase of Americas finest Accessories for Mirrored Cabinets by GlassCrafters, Inc. World class engineering and state of the art design will enable you to enjoy your cabinet for many years to come. We realize that the marketplace offers many choices and we thank you for selecting GlassCrafters for your Mirrored Cabinet needs. The following instruction sheets are applicable for installation of this accessory on all Flat or Beveled Frameless Mirror Cabinets, both 4" deep and 6" deep.

This accessory also may be added to any previously installed surface mounted GlassCrafters Mirrored Cabinet. Patent Pending.

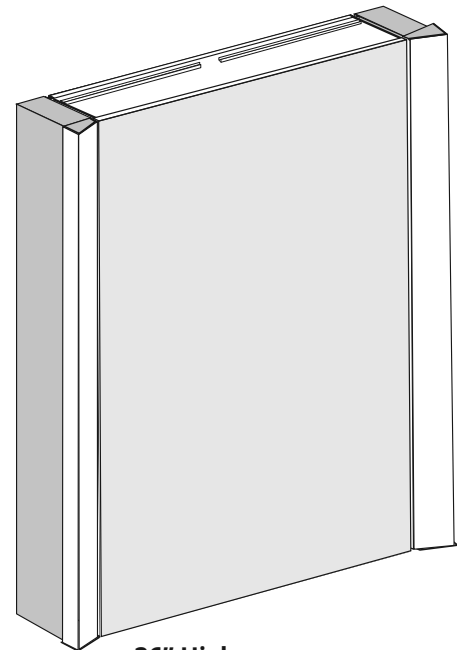


**24" High
Vertical Task LED Lights**
(Mirrored Cabinet Sold Separately)



**30" High
Vertical Task LED Lights**
(Mirrored Cabinet Sold Separately)

**This unit's electrical connections
must be made by a
Licensed Electrician in a
manner that conforms to the
National Electric Code.**



**36" High
Vertical Task LED Lights**
(Mirrored Cabinet Sold Separately)

WARNING

All GLASSCRAFTERS

**Vertical LED Task Light Fixtures for Mirrored Cabinets
must be wired to a Class A 120V AC 15-20 Amp GFCI
circuit (Ground Fault Circuit Interrupter) when used in
bathrooms and all other locations
required by the National Electric Code.**

Please use extreme care while unpacking and handling your GlassCrafters' Mirrored Cabinet Accessory. Report any damage immediately to our GlassCrafters customer service team at 800-233-7362, Monday thru Friday from 8:00 am to 5:00 pm (EST)

06/2016

Vertical LED Task Lights for Mirrored Cabinet

The following instruction sheets include the ALL FRAMELESS 24", 30" AND 36" MODELS in both 4" deep and 6" deep Mirrored Cabinets.

Unpack all parts carefully and protect components during installation.

SAVE THESE INSTRUCTIONS FOR FUTURE REFERENCE

Tools Required for Installation
GlassCrafters recommends the following tools to properly and safely install your Vertical lights on a Glasscrafters Cabinet.


A. Safety Glasses -- should be worn at all times	D. #2 Phillips Head Screw Driver
B. Tape Measure	E. Power Screw Driver
C. Level	

WARNING
All GLASSCRAFTERS Vertical LED Task Light Fixtures for Mirrored Cabinets must be wired to a Class A 120V AC 15-20 Amp GFCI circuit (Ground Fault Circuit Interrupter) when used in bathrooms and all other locations required by the National Electric Code.

A Maximum of 4 interconnected units may be installed utilizing a Class A 120V AC GFCI circuit. Each Vertical LED Task Light is powered by a 12V driver and the assembled 2 fixture unit is rated to draw 3± amps. Electric wiring must be by a licensed electrician. Recessed or wall mounted installations should be performed by a professional installer.

Cleaning Recommendations:
Never use abrasive cleaners or cleaners containing ammonia. This may cause chemical damage to the mirror and void the warranty.

For cleaning the mirror, we recommend using ammonia free Sprayway brand glass cleaner, which is available at a variety of retail outlets.
www.spraywayinc.com/content/glass-cleaner



Carefully review all parts and read the installation instruction before you start.

Index

LED Task Light Parts List for All Models.....3
Wiring Schematic4
Determining the Rough Opening.....5

Installing Vertical LED Task Lights on:
-- Surface Mounted Cabinet, 4" & 6" deep6 & 7
-- Recessed Cabinet, 4" deep.....8
-- Recessed Cabinet 6" Deep9
-- Surface Mounted & Recessed Mirrored Cabinet with Electric Option , 4" or 6" deep.....10
Optional Mirror Side Kit11
Assembling Lights with Multiple Cabinets12
Door Installation12-14
Limit Clip15
Warranty.....16

IMPORTANT SAFETY INSTRUCTIONS
When using the Vertical ED Task Light , basic precautions should always be followed, including the following:

Read all instructions before using.

DANGER – To reduce the risk of electric shock:
1. Turn Power off at service panel before working on wiring.
2. DO NOT SPRAY LIQUID CLEANERS on the Vertical LED Task Light. For cleaning, we recommend using "ammonia free" Sprayway brand glass cleaner applied to a clean cloth.

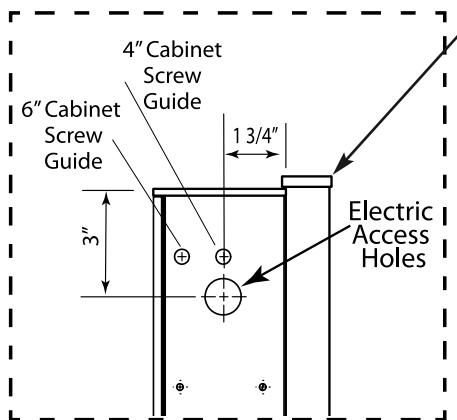
WARNING –
To reduce the risk of burns, fire, electric shock, or injury to persons:
1. Use this Vertical LED Task Light only for its intended use as described in these instructions. Do not use attachments not recommended by the manufacturer.
2. Do not use outdoors.

SAVE THESE INSTRUCTIONS
Any servicing is to be performed by an authorized service representative. The unit has no user serviceable parts.

To insure proper installation in complete compliance with your warranty, we recommend installation by a professional installer.

Each installation package is supplied with two fixtures.

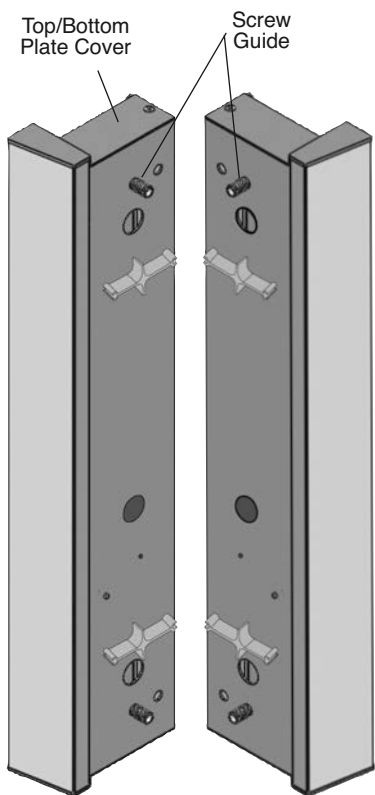
- 24" height sets are reversible for position, fits any width.
- For 30" and 36" height left and right are clearly labeled in the package, fits any width.
- Each Installation package comes with the two lights fully assembled with the cabinet connectors installed and two installation packages with parts as shown here.



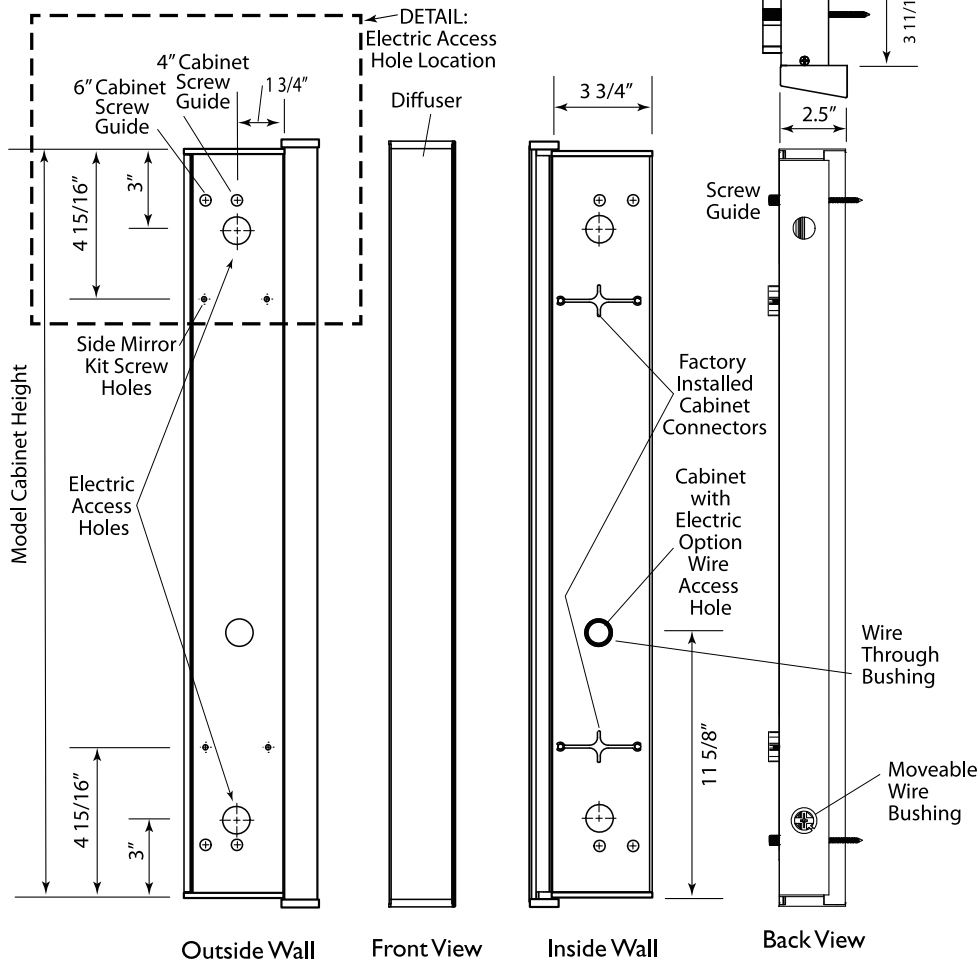
Shown here is the side electric access hole for Vertical LED Task Light.

The dimensions indicate the set back from the finished surface of the access hole in the stud, which must align exactly with the Plastic Bushing. Move the Wire Bushing to this location for side access.

If the finished surface is to include tile or any decorative wall finishes, in addition to the 1/2" sheetrock over the studs, then the center point for the 1 1/2" dia access hole through the studs for the light fixtures is to be located at a depth 1 3/4" from the final finished surface that includes the thickness of those surface finishes such as tile, for both 4" & 6" recessed installations.

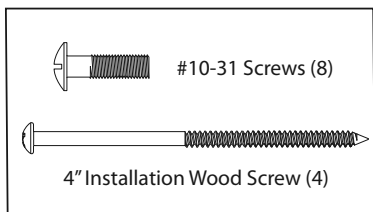


Left Not to Scale Right Not to Scale



Each pair of lights ships with one parts package.

Installation Parts Package Includes Wire Bushing



- Each Vertical LED Task Light is completely assemble with factory installed 2 cabinet connectors, 1 Wire Bushing, 1 Wire Thru Bushing, 5 strips of LED Lights and a 12 Volt Converter.
- Do not attempt to repair or change any connections within the light fixture.
- For the 30" h and 36" h lights, **the left or right side fixture is clearly labeled in the package.**
- The Vertical LED Task Lights are available for both flat and beveled frameless mirrored cabinets.

All wiring should be done by a qualified licensed electrician. NOTE: For Electric Wiring Instructions for each type of installation see pages 6-10.

VERTICAL LED TASK LIGHT

Unpack all parts carefully and protect parts during installation.

WARNING IMPORTANT SAFETY INSTRUCTIONS

To reduce the risk of electric shock, burns injury or fire follow these precautions:

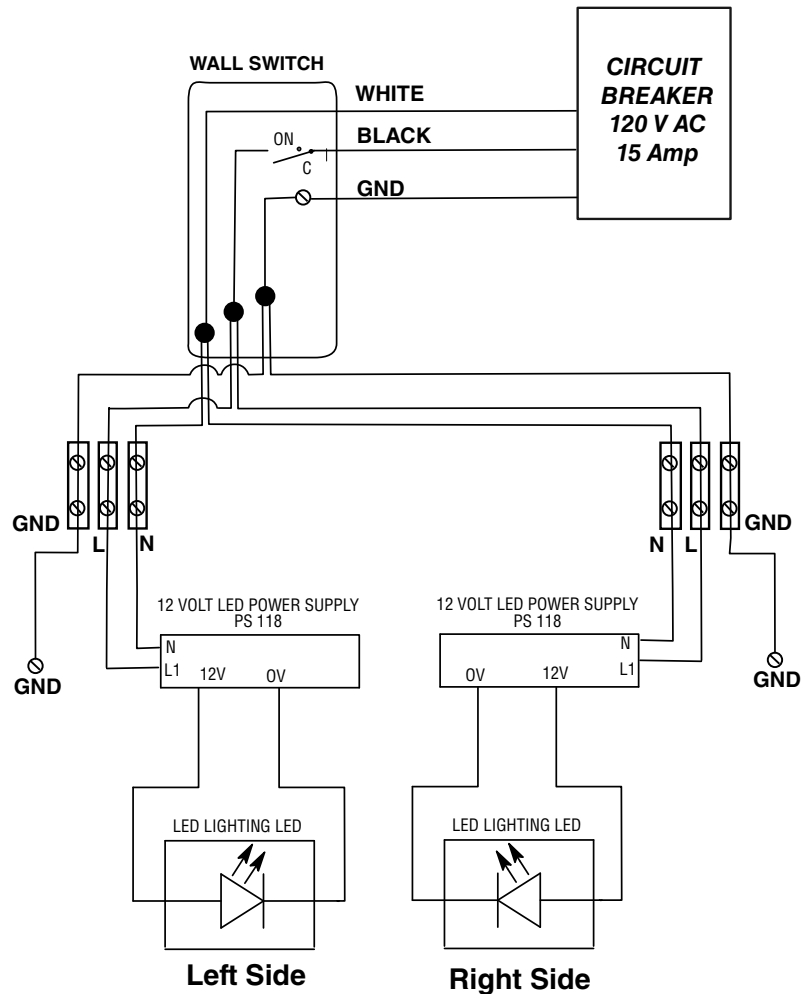
TO PREVENT SHOCK OR ELECTROCUTION TURN POWER OFF AT THE SERVICE PANEL BEFORE WORKING WITH WIRING.

1. Install and use this cabinet accessory in a household or commercial residential setting.
2. Do not alter or add any features or other appliance not recommended by the manufacturer.
3. Do not alter the factory installed wiring or any of its features or appurtenances.
4. This unit's service wiring and electrical connections must be made by a Licensed Electrician in a manner that conforms to the National Electric Code.
5. The Vertical LED Task Light units require a Class A 120V AC 15 Amp circuit.

All installations must conform to the National Electric Code.

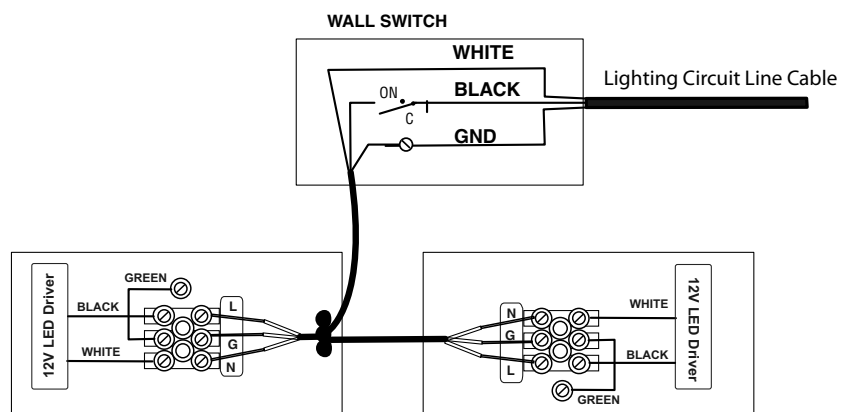
GROUNDING: This product must be connected to a grounded, metal permanent wiring system or an equipment-grounding conductor must be run with the circuit conductors and connected to the equipment terminal or lead on this product.

Standard Wiring Diagram from a Wall Switch



ALL 120V WIRE TO BE 12/2 RX (MWB) GAUGE
WHEN USED WITH A GFCI RECEPTACLE CIRCUIT

Alternate Wiring Diagram from a Wall Switch



ALL 120V WIRE TO BE 14/2 RX (MWB)
WHEN USED IN A LIGHTING CIRCUIT

Add 4 3/4" to the width for all Rough Openings and Framing for Cabinets with Vertical LED Task Lights

The recessed installation instructions in your cabinet manual contain the same Rough Opening dimensions. WITH THE ADDITION OF THE TWO VERTICAL LIGHTS YOU MUST ADD 4 3/4" TO THOSE DIMENSIONS AS SHOWN IN THE TABLES BELOW. YOU MAY ADD THE LIGHT FIXTURE TO SINGLE CABINETS OR TO COMBINATION CABINETS. THESE FIXTURES MUST BE ON THE OUTSIDE EDGE OF THE ASSEMBLED CABINETS. DO NOT ATTEMPT TO INSTALL ANY LIGHT FIXTURE BETWEEN CABINETS.

RECESSED MOUNTING -- Determining the Rough Opening "RO" Dimension

Framing in new construction should follow these dimensions. Standard 2x4 studs and 1/2" sheetrock are shown in the illustrations.

For 6" deep models, a semi-recessed installation is required. For fully recessed 6" deep models, 2x6 studs are required.

4 3/4" HAS BEEN ADDED TO ALL DIMENSIONS TO ALLOW FOR THE LIGHT FIXTURES

Model #	R.O. 1 Cabinet	1 w/Vertical lights	R.O. 2 Cabinets	2 w/Vertical lights	R.O. Three (3) cabinets	3 w/Vertical lights
	Width x Height	Width x Height	Width x Height	Width x Height	Width x Height	Width x Height
GC1624	14 3/8"x23 3/8"	19 1/8"x23 3/8"	29 3/8"x23 3/8"	34 1/8"x23 3/8"	44 3/8"x23 3/8"	49 1/8"x23 3/8"
GC1630	14 3/8"x29 3/8"	19 1/8"x29 3/8"	29 3/8"x29 3/8"	34 1/8"x29 3/8"	44 3/8"x29 3/8"	49 1/8"x29 3/8"
GC1636	14 3/8"x35 3/8"	19 1/8"x35 3/8"	29 3/8"x35 3/8"	34 1/8"x35 3/8"	44 3/8"x35 3/8"	49 1/8"x35 3/8"
GC2030	18 3/8"x29 3/8"	23 1/8"x29 3/8"	37 3/8"x29 3/8"	42 1/8"x29 3/8"	56 3/8"x29 3/8"	61 1/8"x29 3/8"
GC2036	18 3/8"x35 3/8"	23 1/8"x35 3/8"	37 3/8"x35 3/8"	42 1/8"x35 3/8"	56 3/8"x35 3/8"	61 1/8"x35 3/8"
GC2430	22 3/8"x29 3/8"	27 1/8"x29 3/8"	45 3/8"x29 3/8"	50 1/8"x29 3/8"	68 3/8"x29 3/8"	73 1/8"x29 3/8"
GC2436	22 3/8"x35 3/8"	27 1/8"x35 3/8"	45 3/8"x35 3/8"	50 1/8"x35 3/8"	68 3/8"x35 3/8"	73 1/8"x35 3/8"
GC3630-TRI	35 3/8"x29 3/8"	40 1/8"x29 3/8"	N/A	N/A	N/A	N/A
GC4830-TRI	47 3/8"x29 3/8"	52 1/8"x29 3/8"	N/A	N/A	N/A	N/A
GC3636-TRI	35 3/8"x35 3/8"	40 1/8"x35 3/8"	N/A	N/A	N/A	N/A
GC4836-TRI	47 3/8"x35 3/8"	52 1/8"x35 3/8"	N/A	N/A	N/A	N/A

NOTE: Tri-View Cabinets and Joined Cabinets with Vertical LED Task Lights that are wider than 32" have reduced the light output in the center portion of the assembly.

"RO" Rough Opening formula for Recessed Cabinets:

- The model dimension of any single cabinet actually measures 5/8" less than the model size. (ie. 24" model height is actually 23 3/8")
- For added Lights Accessory increase the R.O. width by 4 3/4" for the two lights.
- With the added Lights Accessory increase the R.O. width by 4 3/4" for the two lights.

Widths for any combination cabinets are the two specified widths less 5/8". (The cabinet connector utilizes the second 5/8".)

-- **For Example:** Model GC1630 at 14 3/8" wide, plus the 5/8" connector, combined with Model GC2430 at 22 3/8" = Rough Opening.

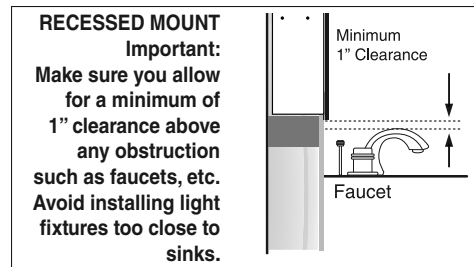
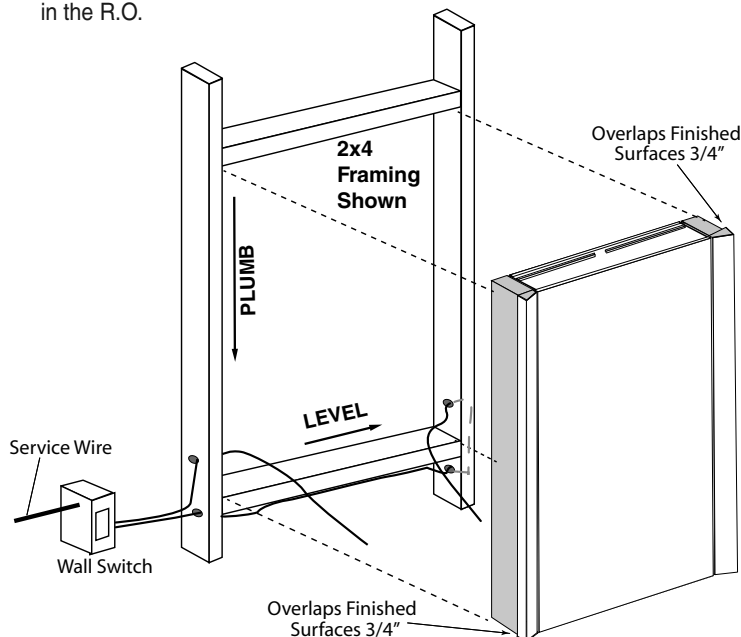
-- With the added Lights Accessory increase the R.O. width by 4 3/4" for the two lights

Height: overall cabinet height less 5/8" = R.O. Height. (LIGHT FIXTURE heights are the same as the cabinet height.)

RECESSED MOUNTING -- Rough Opening:

Note: Cabinet installs over finished wall with sheetrock and/or tile finishes completed. **3/4" Flange on all sides of the Light**

Fixtures as joined to the cabinet will cover the remaining space in the R.O.



Drill Rough Wiring access from the switch box to both sides for each light fixture.

- Standard back access is 3" above the base of the assembled unit, and 1.5" from either the left or right side.
- Depending on the electrician's service wiring plan this unit may have alternate wiring access from the top or the bottom at the back of the unit and/or from the outside or inside walls.
- The wire bushing in each fixture should be moved to the access hole to be used.
- Allow 15" excess wire for pull through.

Vertical LED Task Lights for Surface Mounted 4" deep Mirrored Cabinet

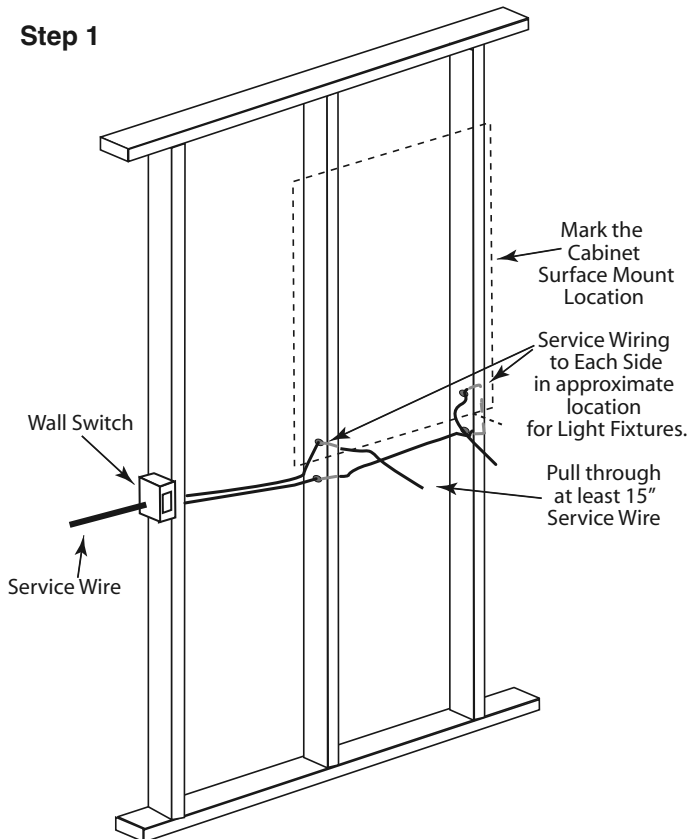
FOR INSTALLATION OF A SURFACE MOUNTED CABINET BE SURE TO TURN OFF THE POWER AT THE SERVICE PANEL BEFORE WORKING ON WIRING.

NOTE: TAKE CARE IN HANDLING AND INSTALLING TO AVOID DAMAGE TO MIRRORS. ALWAYS PLACE THE MIRRORED CABINET ON A PADDED SURFACE TO PROTECT GLASS.

1. Install the rough service wiring from the switch box as located in the wall near the final cabinet position. Rough wire from the Switch Box to the general area for each light at the measured and marked location for the cabinet installation.

2. Install the Glasscrafters, Inc. Mirrored Cabinet on the finished surface following the manual instructions supplied with the cabinet. Drill a 3/4" dia. hole 3" above the cabinet base and 1" from the cabinet wall. Pull the rough wiring through the wall.

Step 1

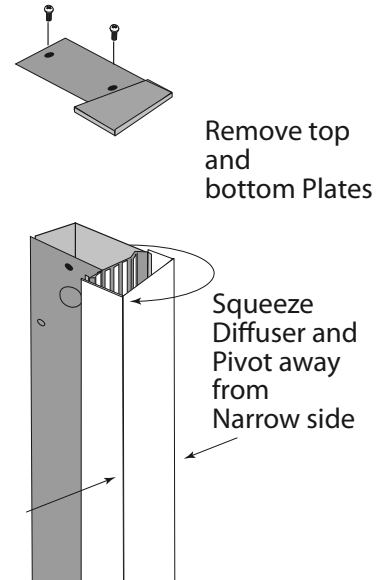


3. To gain access to the interior of the light fixture to connect power supply you must open the fixture with these steps:

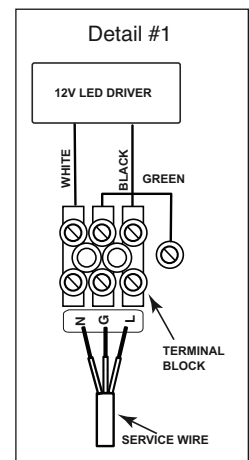
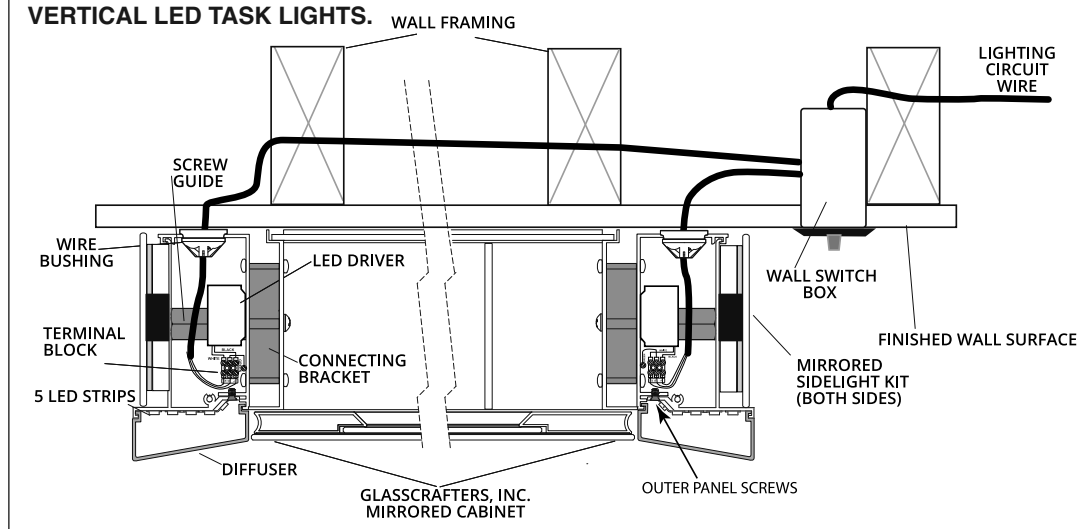
--Remove Top & Bottom plates with the two screws located in the rectangular part of the plates.

--Remove the acrylic diffuser by squeezing from the narrow side and pivoting it away from the fixture.

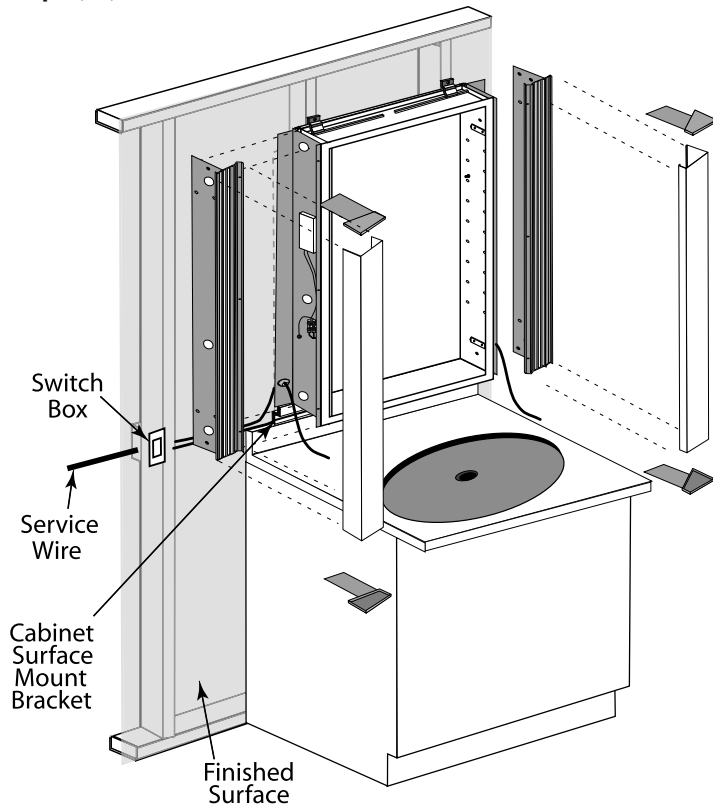
--Unscrew the three flathead stainless screws holding the Mounting Panel, the panel with the mounted LED strips (the outside panel). Pivot the Mounting Panel to the outside and disconnect the plug that connects the 12V LED Driver box to the light strips and set the LED Mounting Panel assembly aside.



SECTION VIEW OF A 4" SURFACE MOUNTED CABINET WITH VERTICAL LED TASK LIGHTS.



Step 2, 3, 4



4. Move the wire bushing to the wire entry holes you plan to use. Insert the service wire through the wire bushing at the selected locations and pull the service wire through. Holding the fixture against the outer wall of the installed cabinet align the two connecting brackets with the proper holes in the cabinet wall and attach the fixture with the four (4) #10-32 screws supplied. (Reminder: the 30" and 36" Vertical lights come marked as left and right. Keep the parts for each light fixture separate until reassembly.

Repeat these steps for the opposite light fixture.

5. Trim the service wire leaving at least 6-8" of cable and peel away the sheathing. Strip and insert the three wires in the terminal Block following the labels "N" White (Neutral), "L" Black (Live), "G" Green (Ground). DO NOT ALTER ANY OF THE FACTORY INSTALLED WIRING.

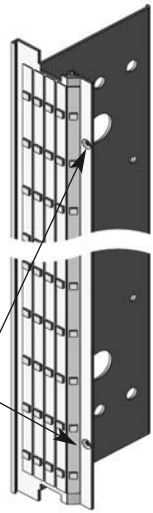
OPTIONAL SIDE MIRROR KIT (Pre-assembly)

6. Install the 2 Side Mirror Brackets on the outside face of the Mounting Panel using the screws and Brackets in the Side Mirror Kit. (See page 11 for details.) (Do not remove the paper covering the adhesive until you are ready to install the Side Mirror in Step 9 (see page 11).

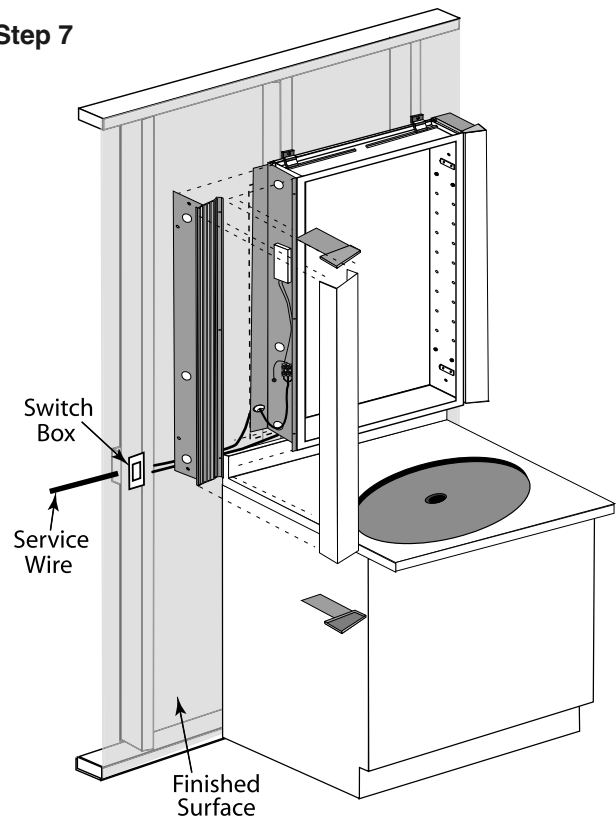
7. To replace the LED Mounting Panel, first reconnect the power cable from the 12V LED Drive Box to the LED Assembly. Hold the LED Mounting Panel in place and affix it using only the three stainless screws provided. Replace the Diffuser and the Top and Bottom Plates using only the screws provided.

--Repeat the same steps for the light fixture on the other side of the cabinet.

Stainless Steel Screws



Step 7



8. Complete the cabinet installation with the shelves and door as per the cabinet installation manual.

9. Install the Mirrored Side Kits on the outside of both fixtures following the instructions on page 11 and/or in the Cabinet Manual.

NOTE: 6" Deep Cabinets install surface mounted or semi-recessed in the same manner except that the Screw Guide should be moved to the 6" position as shown on page 9.

Vertical LED Task Lights for Recessed Mounted 4" Deep or 6" Deep Mirrored Cabinet

FOR INSTALLATION OF A RECESSED MOUNTED CABINET BE SURE TO TURN OFF THE POWER AT THE SERVICE PANEL BEFORE WORKING ON WIRING.

NOTE: TAKE CARE IN HANDLING AND INSTALLING TO AVOID DAMAGE TO MIRRORS. ALWAYS PLACE THE MIRRORED CABINET ON A PADDED SURFACE TO PROTECT GLASS.

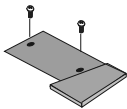
1. Adding the Vertical LED Task Lights to any cabinet increases the width of the framed Rough Opening by 4 3/4" (2 3/8" for each fixture on the left and right). Frame according to the Cabinet Manual with this additional dimension. (See page 5 for the modified Rough Opening Dimensions.)

2. Install the rough service wiring from the switch as located in the wall near the final cabinet position. Rough wire from the Switch Box to the general area for each light at the measured and marked location for the cabinet installation. Drill the wire access hole (1 1/2" dia) to align with the selected access hole in the fixture.

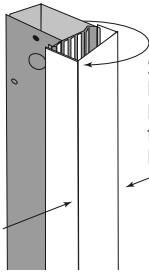
Assemble the Cabinet with the Light Fixtures:

3. To install the light fixture on the cabinet and to connect the power supply you must gain access to the interior of the light fixture. Open the fixture with these steps:

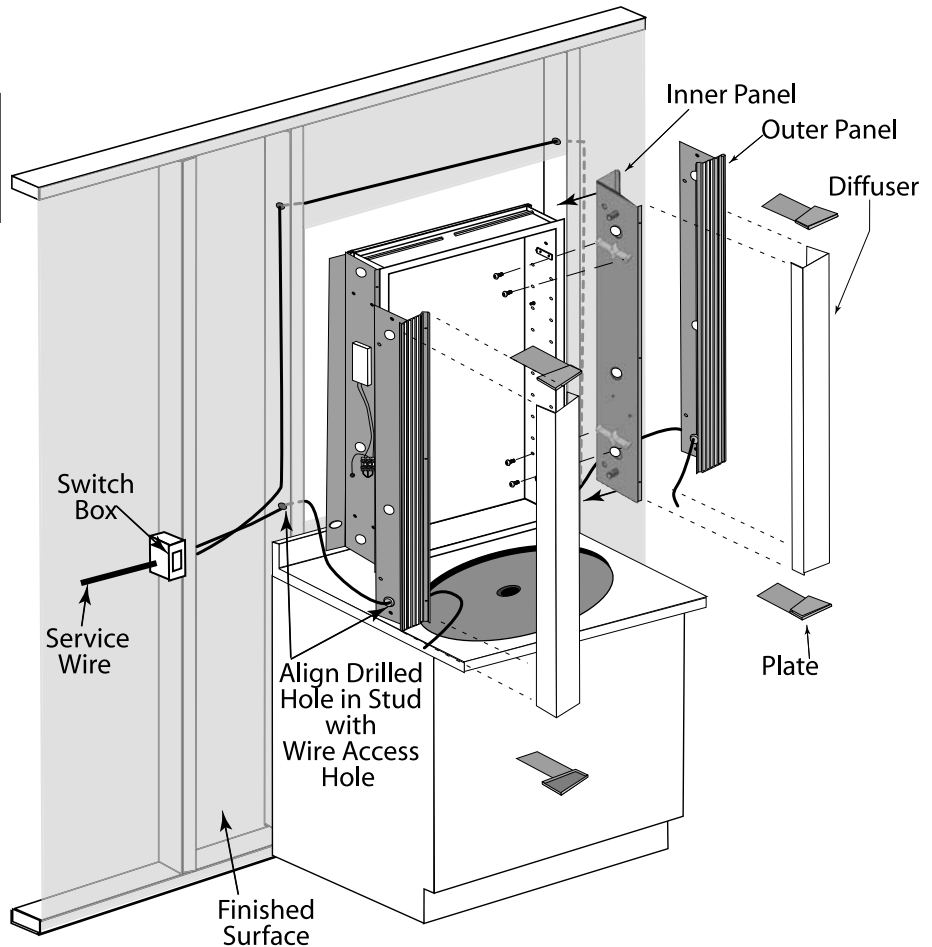
- Remove Top & Bottom plates with the two screws located in the rectangular part of the plates.
- Remove the acrylic diffuser by squeezing from the narrow side and pivoting it away from the fixture.
- Unscrew the three flathead stainless screws holding the outer Mounting LED Panel, the panel with the mounted LED strips. Pivot the outer Mounting Panel to the outside and disconnect the plug that connects the 12V LED Driver box to the light strips and set the LED Mounting Panel assembly aside.



Remove top and bottom Plates



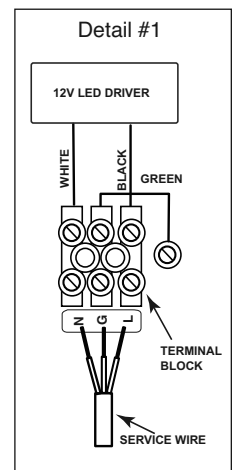
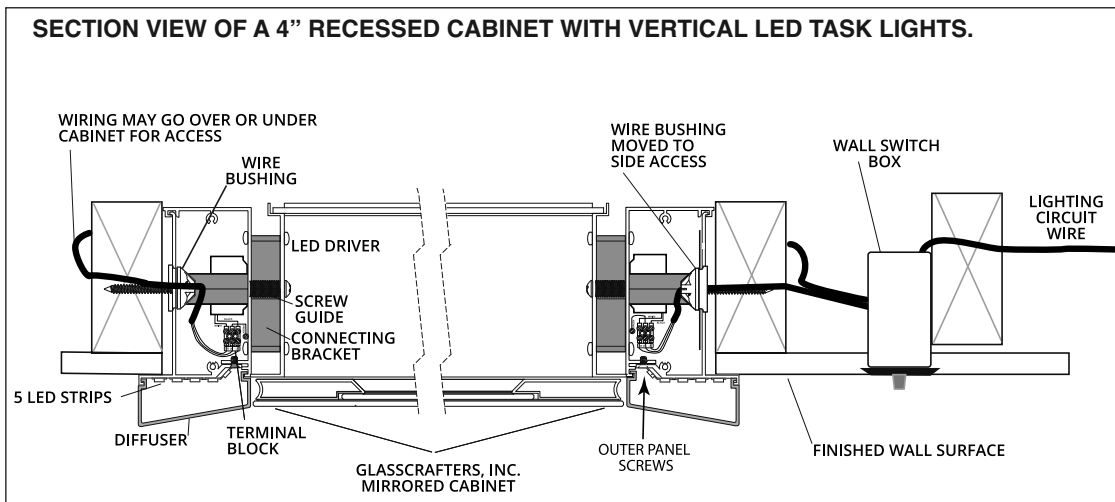
Squeeze Diffuser and Pivot away from Narrow side



4. Holding the inner wall panel of the fixture against the outer wall of the cabinet align the two factory installed connecting brackets with the proper holes in the cabinet wall and attach this part of the light fixture with the four (4) #10-32 screws supplied. (Reminder: the 30" and 36" Vertical lights come marked as left and right. Keep the parts for each light fixture separate until reassembly.

Repeat these steps for the opposite light fixture.

SECTION VIEW OF A 4" RECESSED CABINET WITH VERTICAL LED TASK LIGHTS.



6. To install the fully assembled cabinet with the two light fixtures recessed in the wall you must complete the wiring connections before reassembling the light fixtures.

NOTE: The fully assembled cabinet with two lights covers the finished surfaces so all sheetrock, tile and any other wall covering must be finished.

REMINDER: Install the recessed cabinet without the door.

a. Place the cabinet as assembled with the light fixture inner panels installed on each side on a flat secure surface, cushioned with a piece of carpet or a towel. Stand in a secure position on the same level and directly in front the finished opening.

b. Move the wire bushing to the wire entry holes you plan to use. Insert the service wire through the wire bushing at the selected locations and pull the service wire through.

c. Trim the wire cable leaving at least 6-8" of cable and peel away the sheathing. Strip and insert the three wires in the Terminal Block following the labels "N" White (Neutral), "L" Black (Live), "G" Green (Ground). **DO NOT ALTER ANY OF THE FACTORY INSTALLED WIRING. Repeat for the second light fixture.**

Stainless Steel Screws

d. To replace the outer Mounting Panel first reconnect the power cable from the 12V LED Drive Box to the LED Assembly. Hold the LED Mounting Panel in place and affix it using only the three stainless screws provided. Replace the Diffuser and the Top and Bottom Cover Plates using only the screws provided.

Repeat for the second light fixture.

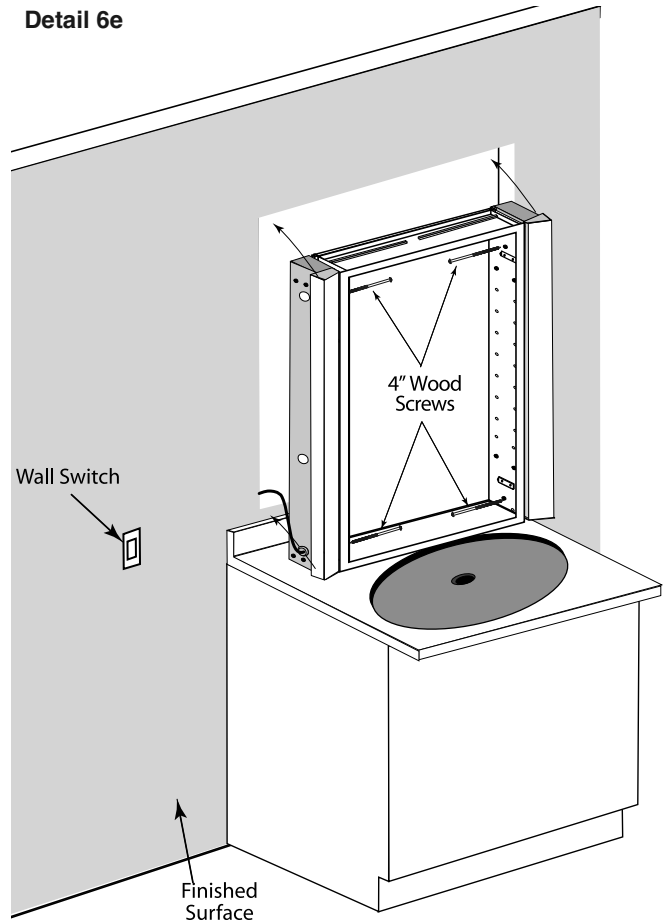


e. Lift and tip the cabinet up and into position within the finished opening. Shim as need for level and plumb.

f. Insert the four installation screws provided (4") from the inside of the cabinet through the factory installed Screw Guides in the fixture, which aligns with the pre-drilled hole in the center of the cabinet just above and below the cabinet's hinge. Using the four 4" Installation screws provided, insert the secure into the framed recess.

7. Complete the cabinet installation with the shelves and door as per the cabinet installation manual.

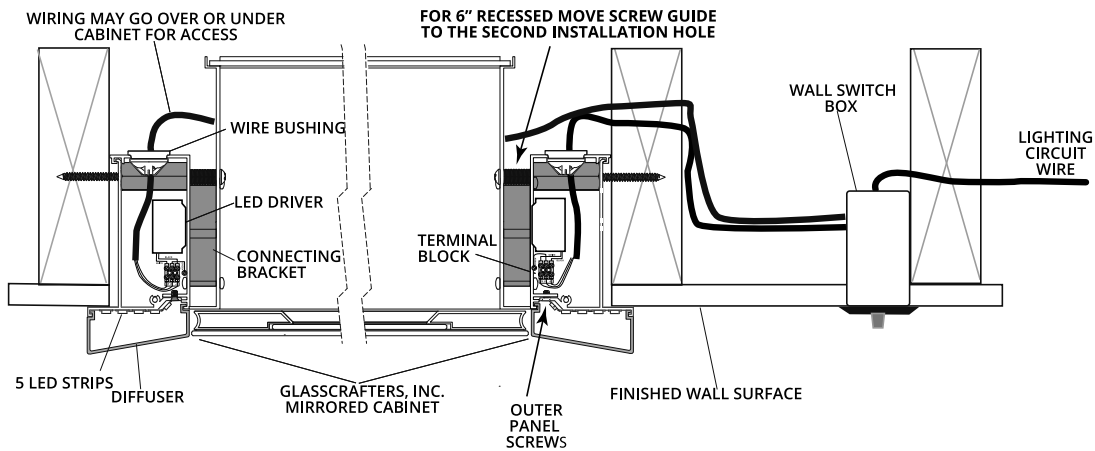
Detail 6e



INSTALLATION OF A 6" RECESSED CABINET WITH VERTICAL LED TASK LIGHTS.
FOR INSTALLATION OF A RECESSED MOUNTED CABINET BE SURE TO TURN OFF THE POWER AT THE SERVICE PANEL BEFORE WORKING ON WIRING.

Adjustments for installation of a 6" deep cabinet:
 Before installing the inside panel of the fixture on the cabinet, move the Screw Guides to the pre-drilled holes toward the back edge of the fixture. This will enable the Screw Guides to align properly with the correct holes in the 6" cabinet walls.

SECTION VIEW OF A 6" RECESSED CABINET WITH VERTICAL LED TASK LIGHTS.



Vertical LED Task Lights for Surface Mounted & Recessed 4" deep or 6" deep Mirrored Cabinet with Electric Option

FOR INSTALLATION OF A SURFACE MOUNTED OR RECESSED MOUNTED CABINET WITH ELECTRIC OPTION (EO CABINET) BE SURE TO TURN OFF THE POWER AT THE SERVICE PANEL BEFORE WORKING ON WIRING.

ADJUSTMENTS FOR INSTALLATION ON AN E.O. CABINET where the Vertical Lights are service wired through the Electric Option Shelf:

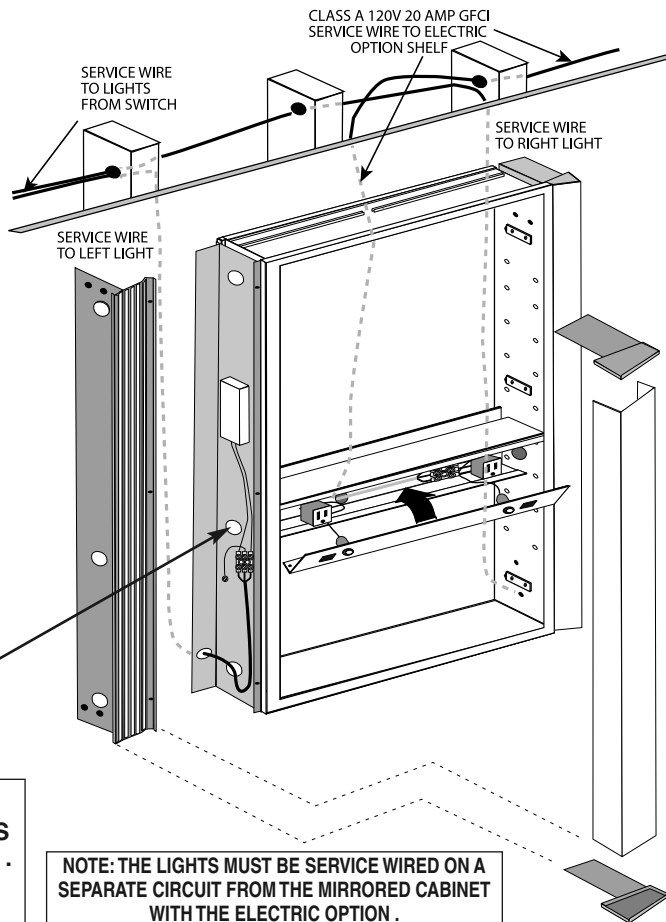
1) E.O. Cabinet Surface Mounted Installation-- Follow the Steps 1-8 as shown on pages 6 & 7 to install and service wire the Vertical Lights.

2) Option of through wiring for the E.O. Cabinet by Licensed Electrician:

The Mirrored Cabinet with Electric Option and the Vertical Lights both have wire access holes that align at each end of the shelf. Depending on the Electrician's wiring plan, this allows a through wire connection for the separate 20A GFCI circuit for the E.O. cabinet to go through a Light Fixture and into the shelf. The Service to the Cabinet must be a dedicated 20Amp GFCI service **completely separate from the Vertical LED Task Light service.**

Optional Access for Through Wire Service through a light fixture for the **separate service** to the Electric Option. **Licensed Electricians ONLY.**

Surface Mounted Mirrored Cabinet with Electric Option-- 30" high & 36" high



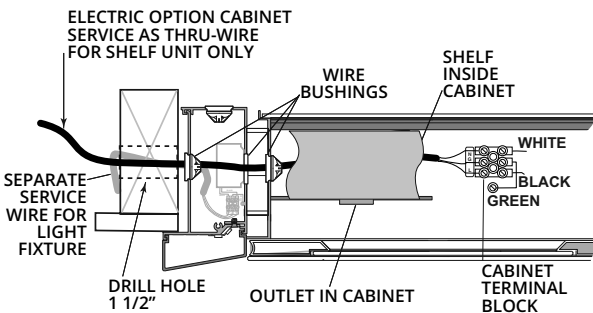
NOTE: THE LIGHTS MUST BE SERVICE WIRED ON A SEPARATE CIRCUIT FROM THE MIRRORING CABINET WITH THE ELECTRIC OPTION.

REMINDER: You must complete the wire connection to each terminal block in the Vertical LED Task Lights before reassembling the light fixtures for any recessed installation.

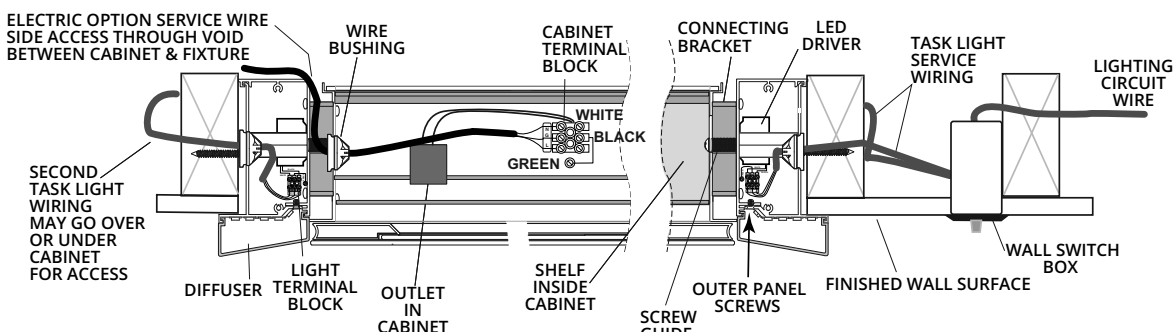
Optional Side Mirror Kit:

Do not forget to install the side mirror kit brackets through the pre-drilled holes in the outside wall of the light fixture before reassembling the fixture after making the service wire connection. (See page 11 for detailed instructions.)

SECTION VIEW OF A 4" RECESSED MIRRORING CABINET WITH VERTICAL LED TASK LIGHTS SHOWS SEPARATE THROUGH WIRE FOR ELECTRIC OPTION.



SECTION VIEW OF 4" RECESSED ELECTRIC OPTION MIRRORING CABINET WITH VERTICAL LED TASK LIGHTS SHOWS SEPARATE SIDE ACCESS SERVICE WIRE FOR THE CABINET & SEPARATE TASK LIGHT(S) SERVICE WIRING.



DO NOT ALTER ANY OF THE FACTORY INSTALLED WIRING IN THE ELECTRIC OPTION SHELF.

OPTIONAL Side Mirror Kit Installation

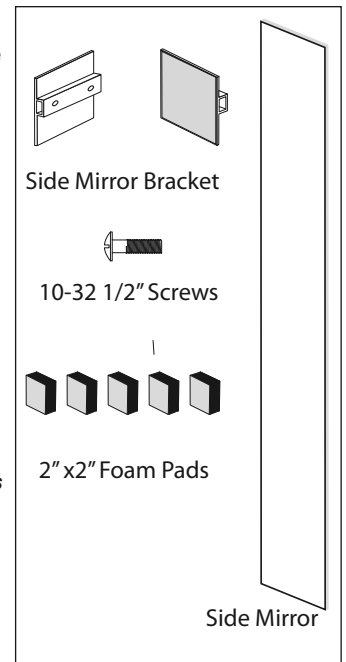
For surface mounted 4" and 6" Mirrored Cabinets and semi-recessed 6" Mirrored Cabinets.

It is recommended to complete the wall Mounted installation before reassembling the Vertical Light Fixtures. (see page 6). Make the service wire connections as shown on page 6 for both fixtures.

- 1) Attach the side mirror kit brackets thru the pre-drilled holes in the Mounting Panel (outside wall) of the light fixtures while they are disassembled to make the service wire connection.
- 2) Use the row with two holes 5" from the top and bottom of Mounting Panel (outside panel). Using the four 10-32 x 1/2" screws provided to fasten the brackets.
- 3). Reassemble the fixtures on the complete Wall Mounted Cabinet as shown in step 8 (page 6).
- 4) Attach the 2" x 2" foam pads to the outside wall above, below and in between the position of the brackets.
- 7) Clean the backside of the side mirror kit panel with the Alcohol pads. Check alignment before you attach the mirror to be sure it will align even with the top of the cabinet.
- 8) Peel off paper covering of the adhesive tape on the side kit brackets pads. (This holds the mirror in place). Carefully align the mirror to the fixture wall evenly on all four sides. Press firmly into place to attach the side kit mirror to the outside wall of the fixture.
(Note: Once installed, do not try to remove the mirror as it will break.)

Side Mirror Kit parts list:

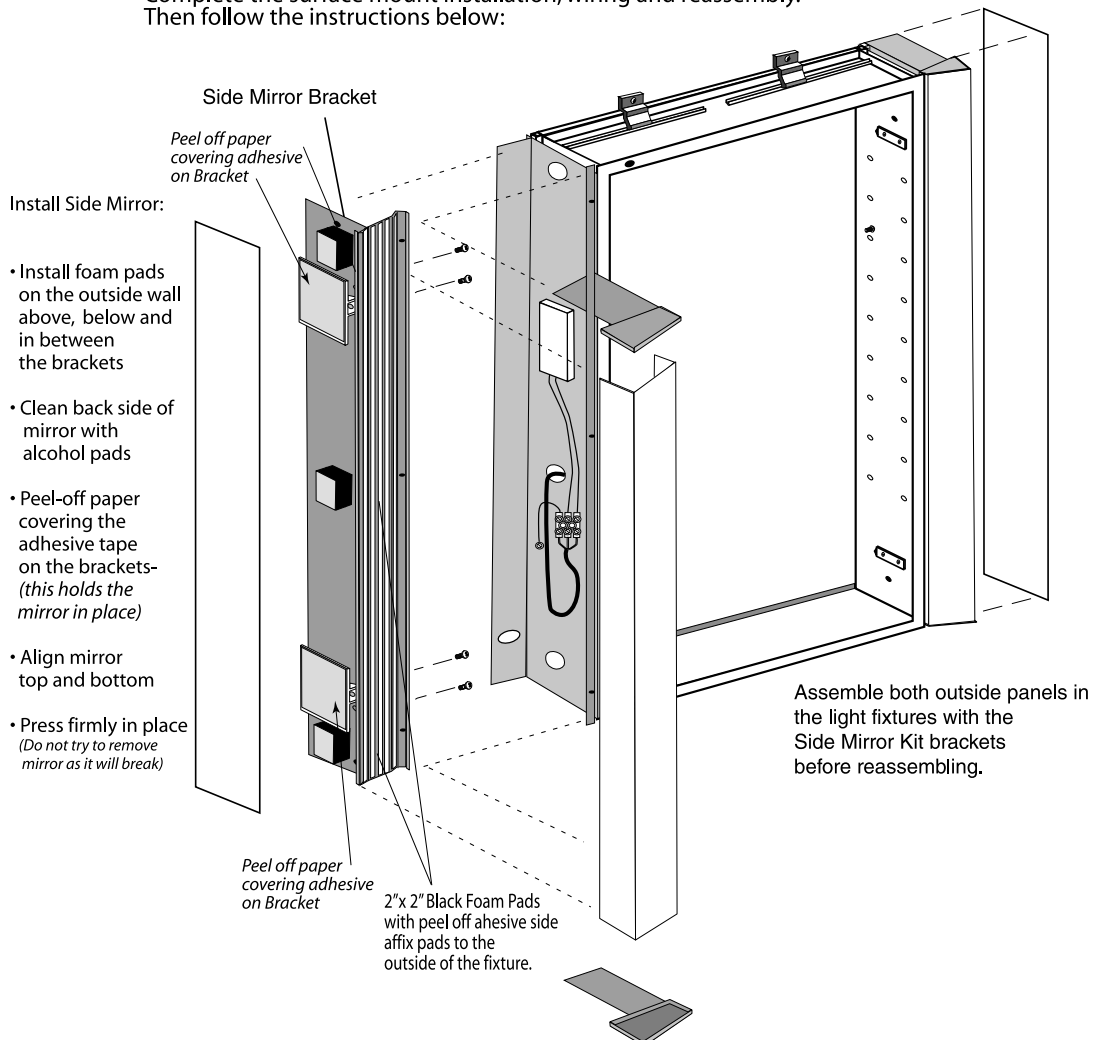
- 2 Mirror side panels to match the model height ordered
- 4 Side kit brackets with adhesive tape
- 6 2"x2" Black Foam Pads with peel off adhesive
- 8 Screws, 10-32 x 1/2"
- 8 Screw Caps (part # 434-00)
- 2 Alcohol Pads



To view a video showing helpful tips on how to install mirrored side kits, please go to GlassCraftersMirroredCabinets.com and navigate to the cabinet product that you are installing. Simply click on the installation tab (located below the product images) to view our installation videos.

Side Mirror Kit

Install brackets on both fixtures while they are disassembled for wiring. Complete the surface mount installation, wiring and reassembly. Then follow the instructions below:



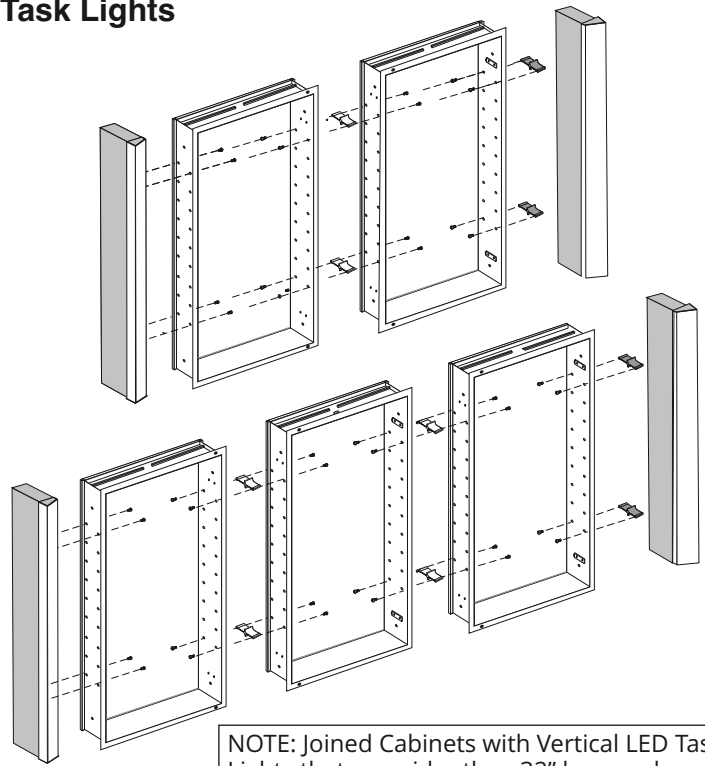
Joining Multiple Cabinets with Vertical LED Task Lights

Follow the instructions in your Cabinet Manual to join multiple units and then refer to page 6 & 7 to add the Vertical Lights as described in this manual.

For Surface Mounted Multiple units provide the service wiring located at the proper dimensions and then mount the assembled cabinets. Add the light fixtures as shown on pages 6 & 7.

For Recessed Multiple Units-- provide the service wiring located at the proper dimensions and then mount the assembled cabinets. Add the light fixtures as shown on pages 8 & 9.

Rough Opening Dimensions are provided for multiple units on page 5.



NOTE: Joined Cabinets with Vertical LED Task Lights that are wider than 32" have reduced light output in the center portion of the assembly.

WARNING

Read this installation page PRIOR to installing the cabinet's MIRRORED DOOR to avoid potential damage or breakage of glass.

When installing the cabinet door with VTL Lights fixed, be careful not to chip the door mirror. It is important to test the distance between the door's glass edge and the

light's top and bottom cover plates PRIOR to fully closing the door. The factory installed hinge may need to be adjusted left or right for proper clearance.

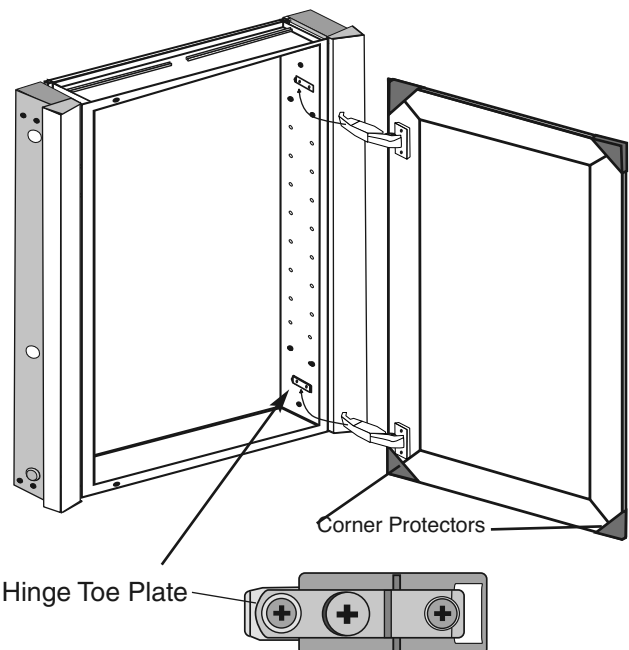
Damage to glass door during installation is not the responsibility of GlassCrafters Inc. and may result in loss of product warranty.

Door Installation -- Step 1

The doors are packed individually for protection of the mirror surfaces. Carefully remove the door from the carton.* Hold the door in the upright position snap open the factory installed hinges. Place the hinge onto the factory-installed mounting toe/hinge plate in the cabinet -- Toe first -- and snap into position. Be careful not to chip the door mirror.

Always test adjustment by holding your fingers behind the door to be sure the mirror is not hitting the top and bottom cover plates.

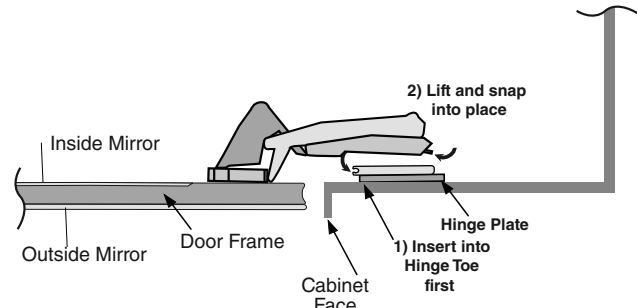
*Do not remove corner protectors until the door is installed



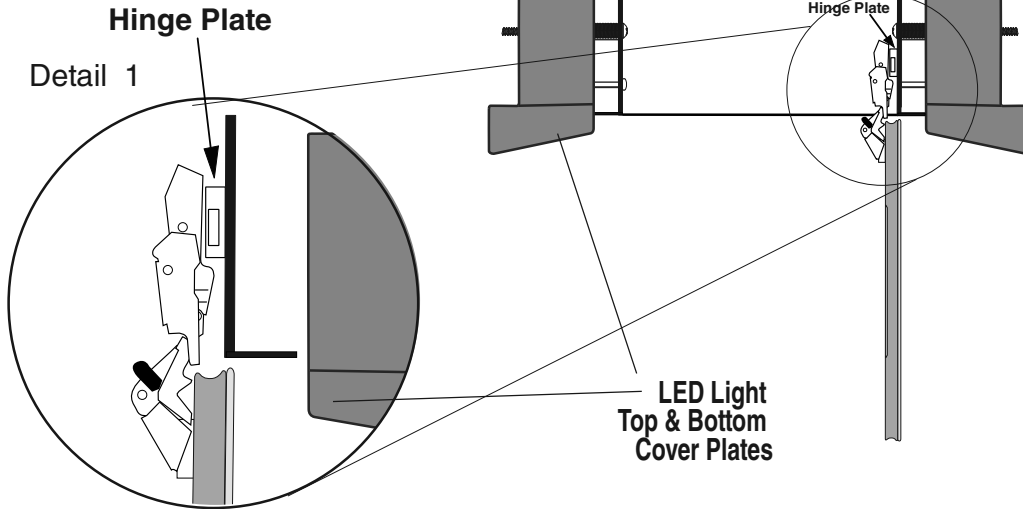
Door Installation continued

Step 1- Snap Hinge into place

(CAUTION) Check adjustment carefully to avoid door hitting Top and Bottom Light Cover Plates



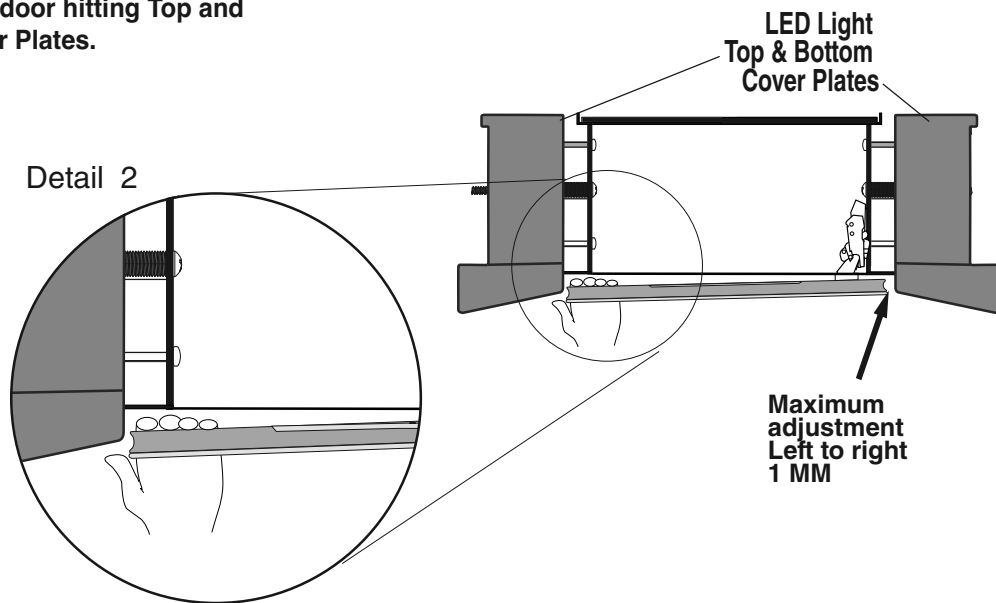
Top view



To view a video showing helpful tips on how to adjust our cabinet hinges, please go to -- GlassCraftersMirroredCabinets.com and navigate to the cabinet product that you are installing. Simply click on the installation tab (located below the product images) to view our installation videos.

Step 2-- Test Door Clearance

CAUTION: Always test by closing the door with your hand behind the door to test door clearance and determine if any adjustment is needed to avoid door hitting Top and Bottom Light Cover Plates.



If adjustment is needed follow instructions in Step 3 (page 14).

Step 3 - Hinge Adjustment:

(CAUTION) Check door and adjustment carefully using the screw adjustments on the hinge as shown.

Left and right hinge adjustment is limited to 1/32" (1 mm).

Test by closing the door with your hand behind the door to test the clearance to avoid door hitting Top and Bottom Light Cover Plates.

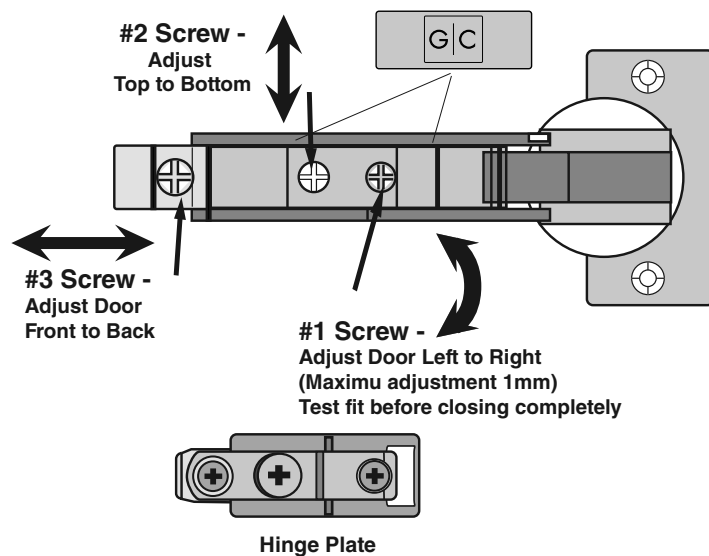
Open door and adjust using #1 screw as shown in the diagram below and retest clearance.

Blum Hinge Adjustment

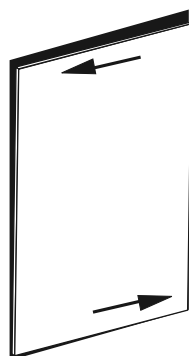
When the doors adjustments are completed place cover caps on hinges.

Hinge Plate* Factory Installed.

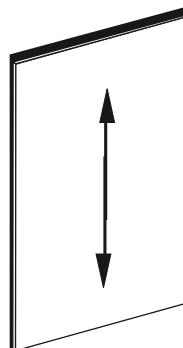
*If the door binds and does not fully close, adjust the Hinge Plate on the cabinet up and down, to relieve the tension.



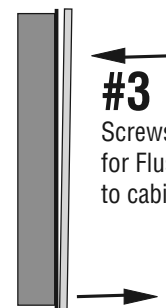
Other adjustments for the door--



#1
Screws adjust for Fit alignment left and right to cabinet face



#2
Screws adjust for Fit to Top and Bottom to cabinet face

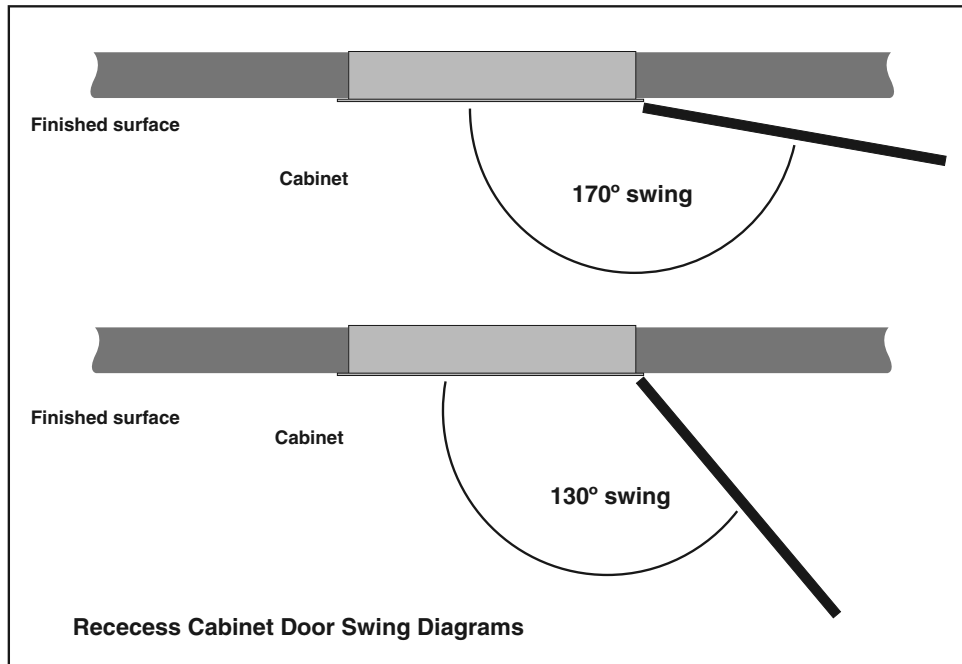
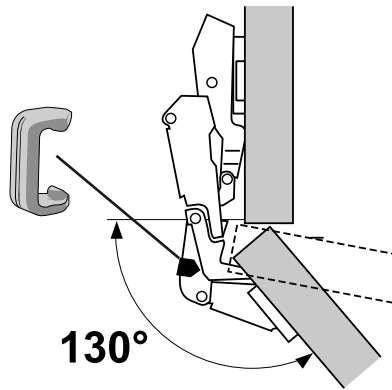


#3
Screws adjust for Flush Fit to cabinet face

Limit Clips

Limit Clips are provided should you need to reduce the opening swing of the cabinet door from 170 degrees to 130 degrees (see top view) This will eliminate the possibility of the door hitting a wall sconce or other decorative items.

Special adjustments of these clips is required with the Vertical Light Mirrored Cabinet. Use caution when testing the opening swing of the door.



VERTICAL LED TASK LIGHTS WARRANTY

GlassCrafters, Inc. offers a limited 1 year warranty on all Vertical LED Task Lights products. GlassCrafters' warranty provides the original purchaser a guarantee that it will replace or at its own discretion repair products shown to have substantial defects in workmanship or materials. These claims must be filed with your dealer or professional installer and forwarded in writing to GlassCrafters within one year of the delivery date to the end user of the product. GlassCrafters shall not be responsible for any installation or removal costs. This warranty does not apply to the following, chemical or natural corrosion of the acrylic diffuser. The use of abrasive cleaners or cleaners containing ammonia will cause chemical damage to the acrylic diffuser, voiding this warranty.

The GlassCrafters warranty does not cover product that is damaged in shipping, accidents in handling during installation or if the reported defects are a result of faulty installation, abuse, misuse, abnormal wear, poor maintenance, accident or repairs by service personnel other than the original professional installer as

authorized by GlassCrafters. After the one year period GlassCrafters shall not have any further obligation, expressed or implied including merchantability under the Limited Warranty.

GlassCrafters shall not have any liability for any consequential damages stemming from or in connection with the use per performance of this product. Prevailing state law on the limits of the implied warranty will apply.

The liability of GlassCrafters under any implied or expressed warranty, including merchantability, is expressly limited to the terms of this warranty. Any claim under this warranty must be made directly to the dealer of record.

Permission to return any merchandise under this warranty must be authorized in writing by GlassCrafters and must include prepaid shipping by the purchaser.



GLASSCRAFTERS INC.

GLASSCRAFTERS, INC
193 Veterans Blvd., Carlstadt, NJ 07072

1+(800) 233-7362 (F) 1+(888) 233-7362
sales@glasscraftersinc.com