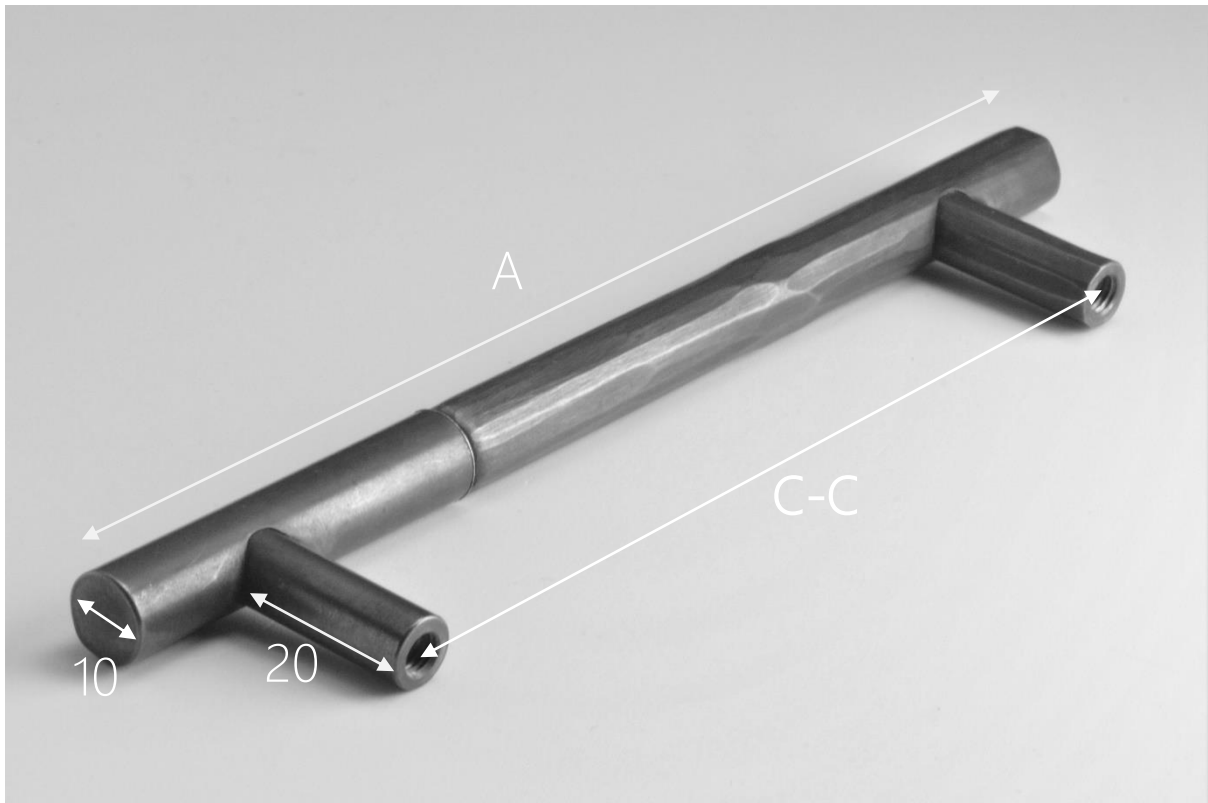




WHT-SE 10 handle



These handles are made to metric dimensions; these are the nearest APPROXIMATE imperial equivalent

Stock code	A	C-C hole centres
WHT-SE 10x150	6	4-21/64
WHT-SE 10x250	9-27/32	8-17/64
WHT-SE 10x350	13-25/32	12-13/64

GED KENNETT CONTEMPORARY METALS LTD
The Forge, Nettlecombe Studios, Williton, Taunton, Somerset TA4 4HS

t: +44 (0)1984 641262 | e: ged@gedkennett.co.uk | w: www.gedkennett.co.uk