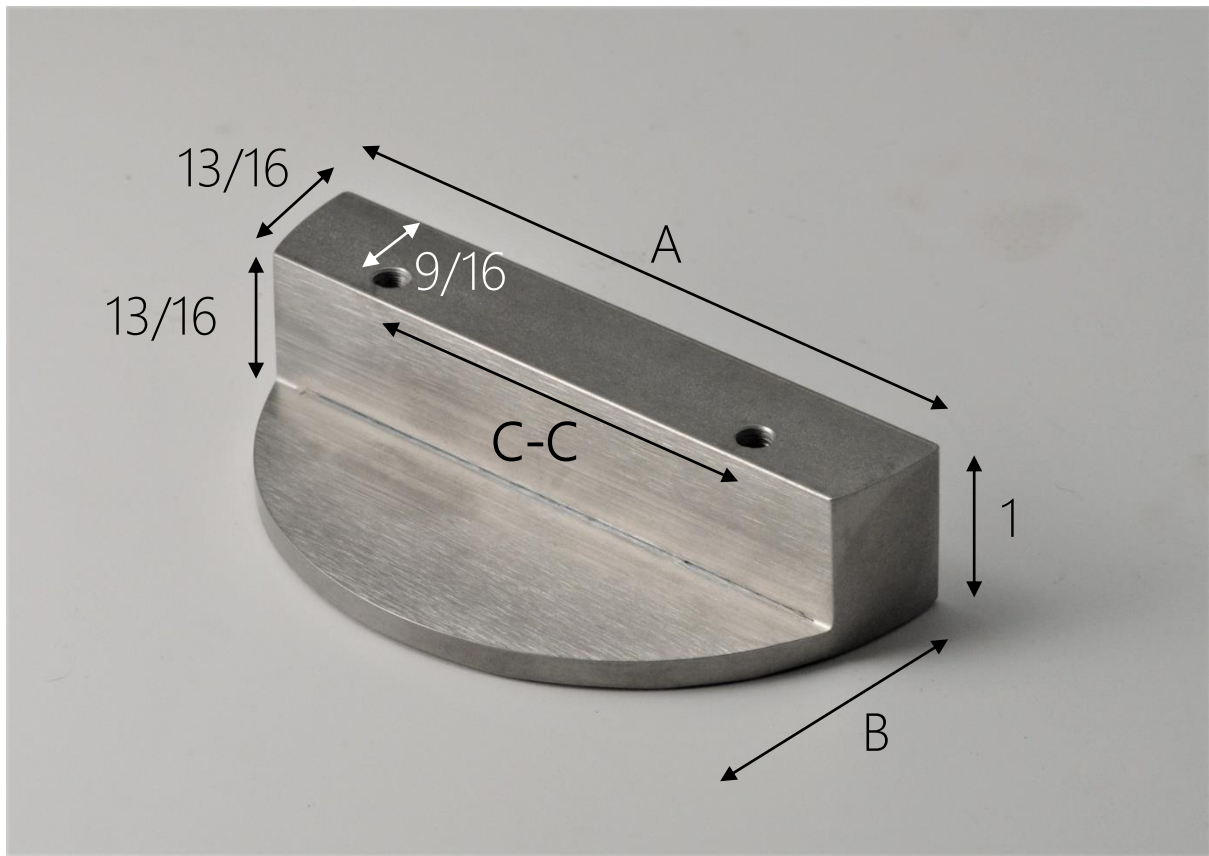


## RASC FORGED SE 20x20



These handles are made to metric dimensions; these are the nearest APPROXIMATE imperial equivalent

Stock code	A inch	B inch	C- C inch	Weight g
RASC Forged SE 20x20-80	3 1/8	1 9/16	2	320
RASC Forged SE 20x20-100	3 15/16	2	2 3/8	470
RASC Forged SE 20x20-120	4 3/4	2 3/8	3 1/8	570
RASC Forged SE 20x20-150	5 15/16	2 15/16	4 5/16	820

CONTEMPORARY METALS LTD

The Forge, Nettlecombe Studios, Williton, Taunton, TA4 4HS, UK

Tel+44 (0)1984 641262 Email [ged@gedkennett.co.uk](mailto:ged@gedkennett.co.uk) Web [www.gedkennett.co.uk](http://www.gedkennett.co.uk)