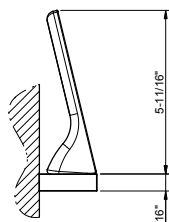
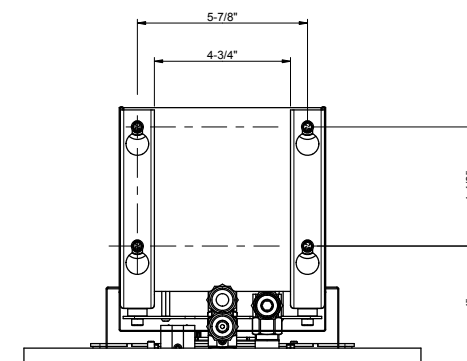
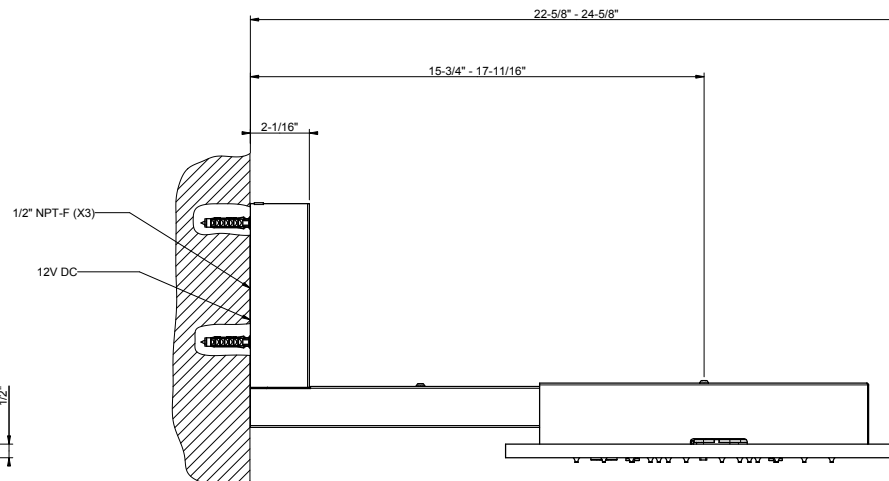
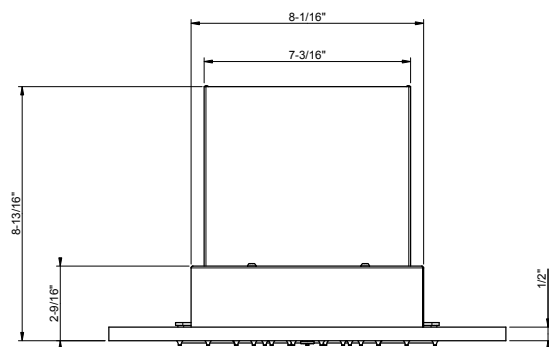
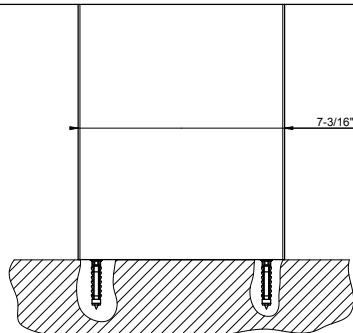
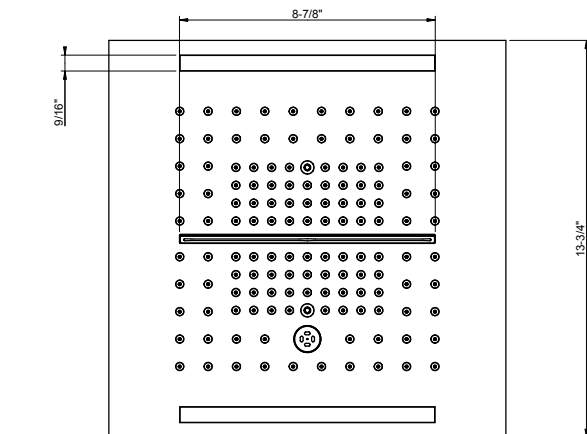




12V DC



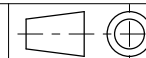
**GESI**

**MINIMAL COLOUR 57935**

SOFFIONE DA PARETE 350X350 MULTIFUNZIONE COLOUR

Formato

**A4**



Dis.: GPF579350000G001

Gessi S.p.A. Parco Gessi, 13037 Serravalle Sesia (Vercelli) Italy Tel.0039 0163 454111 Fax.0039 0163 453150 www.gessi.com e-mail:gessi@gessi.it

*This drawing by its legislation cannot be disclosed or reproduced without a written authorization released by GESSI S.p.A. - 2018 Copyright® GESSI S.p.A.*