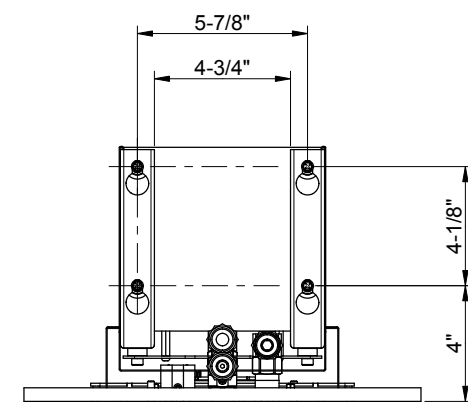
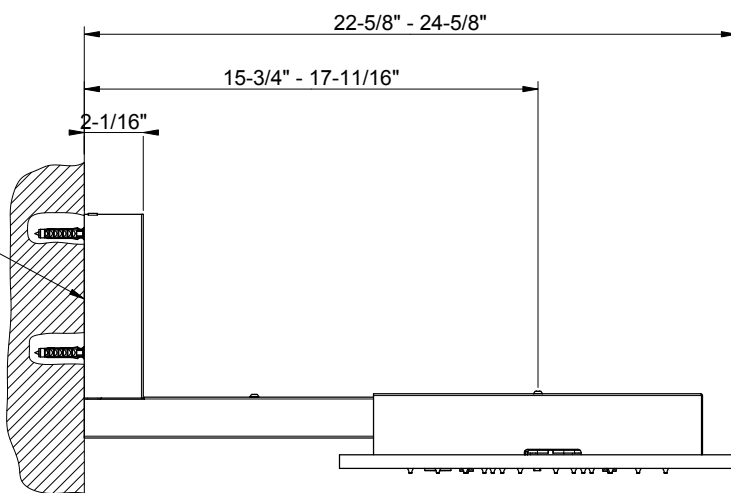


1/2" NPT-F (X3)



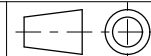
GESSI

MINIMAL 57915

SOFFIONE DA PARETE 350X350 MULTIFUNZIONE

Formato

A4



Dis.: GPF5791500000G001

Gessi S.p.A. Parco Gessi, 13037 Serravalle Sesia (Vercelli) Italy Tel.0039 0163 454111 Fax.0039 0163 453150 www.gessi.com e-mail:gessi@gessi.it

This drawing by its legislation cannot be disclosed or reproduced without a written authorization released by GESSI S.p.A. - 2017 Copyright® GESSI S.p.A.