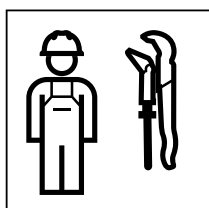


# Installation Manual

Montageanleitung  
Instructions de montage  
Istruzioni per il montaggio





## Product Data

### Product Specifications

Geberit Model No. / Flush volume:

- 109.304.00.5 / 1.6/0.8 gpf (6.0/3.0 lpf)
- 109.307.00.5 / 1.28/0.8 gpf (4.8/3.0 lpf)

Concealed tank for floor-standing WC and actuator plate.

Water supply shall be 1/2" copper, minimum water pressure 35 PSI. The bowl shall be an ANSI accredited 3rd-party listed dual flush or single flush wash down type to match flush volumes shown in table.

Actuator plates shall be die-cast zinc, plastic or stainless steel and plated to preserve the material's integrity.



### Standards

In compliance with

- ANSI Z124.4
- CSA B125.3
- ASME A112.18.1/CSA B125.1
- ASME A112.18.2/CSA B125.2
- ASME A112.19.5/CSA B45.15
- ASME A112.19.14
- IAPMO PS-50
- ASME A112.19.2/CSA B45.1 when used in combination with listed bowl

### Features

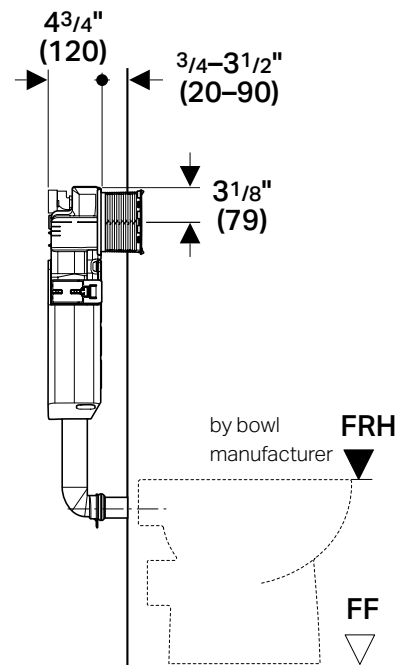
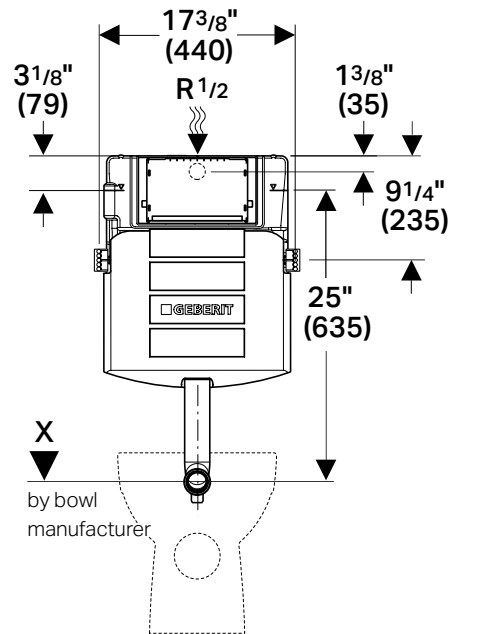
- Impact resistant high density polyethylene tank HDPE
- Insulated to prevent condensation
- Anti-siphon fill valve meets ASSE 1002-ASME 1002-CSA B125.12 standard

### Warranty

Limited lifetime warranty on tank.

10 year warranty on fill valve and flush valve.

One year warranty on actuator plate.



### Material Determination

Recommended material for wall surface construction:

- Gypsum / green board
- Cement board
- Tile backer board
- Ceramic tile surface



Wall thickness not to exceed 3 1/2"



# Installation

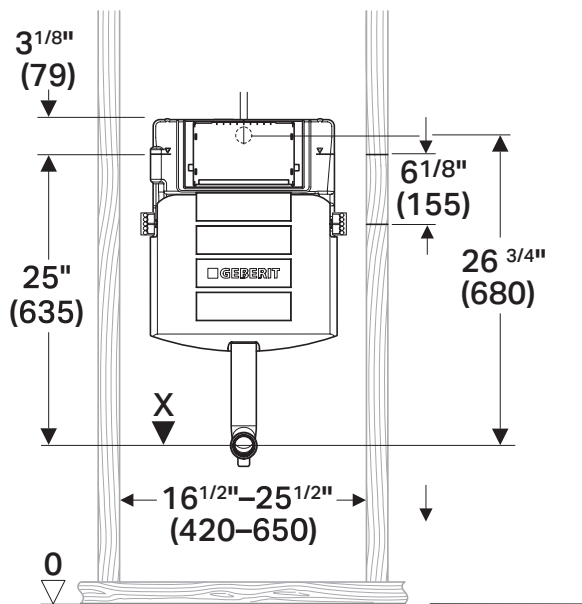
## Installation Requirements

To install tank, a 2 x 6" wood frame construction is required. Studs must be placed as shown below.

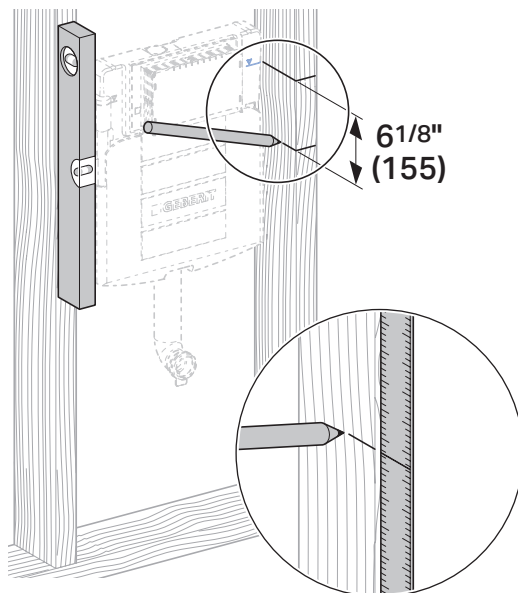
## Bowl Finished Rim Height (FRH)

Determine FRH for floor-standing bowl and adjust concealed tank height in accordance with requirement and dimensions from bowl specification sheet. Be sure to allow for finished floor and sole plate height.

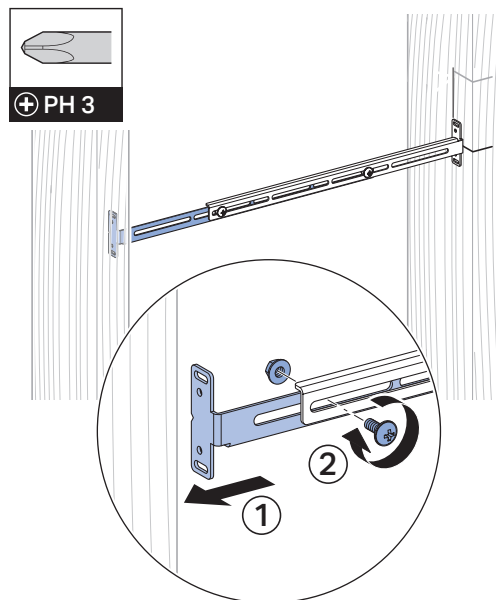
## Tank installation



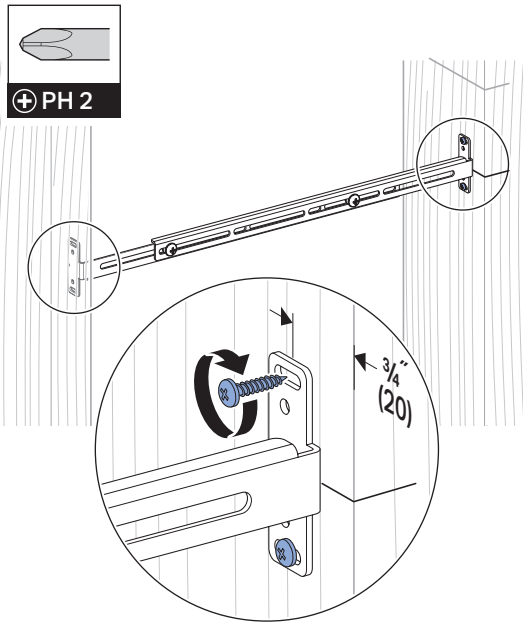
1



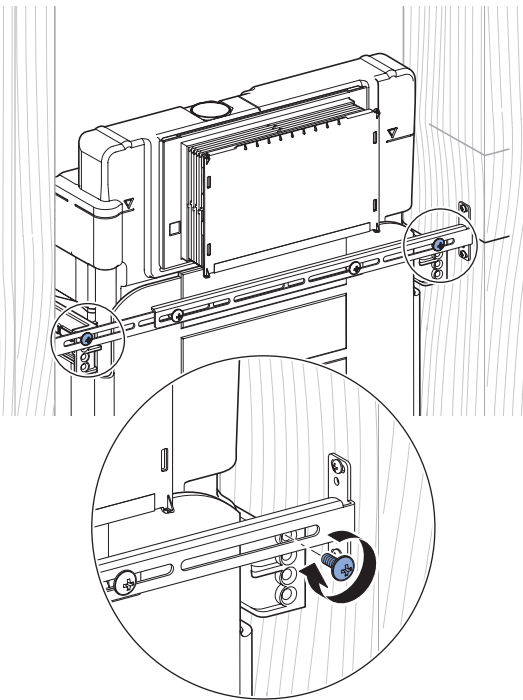
2



3



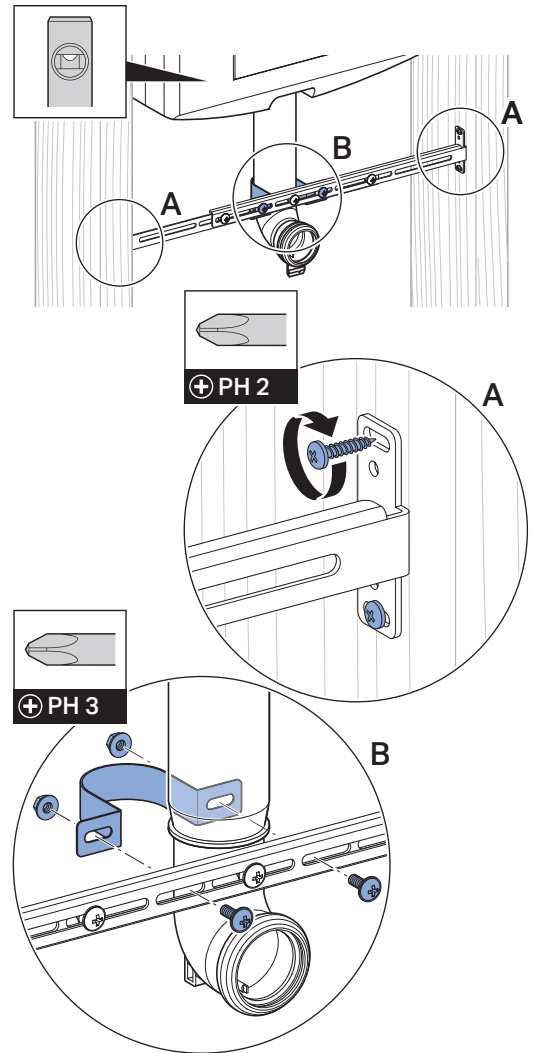
4



5

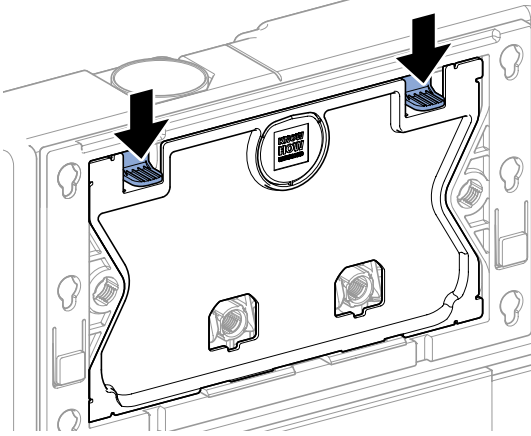
Prepare 3" waste outlet through floor or wall as required. Refer to Geberit catalog for connection fitting options.

6

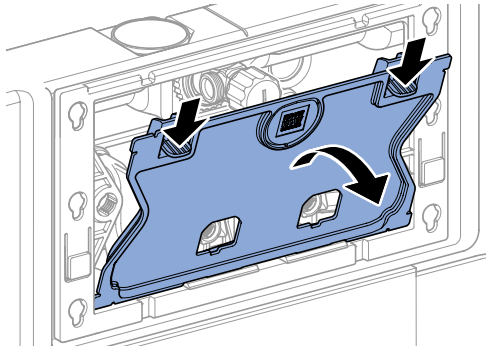


## Water supply installation

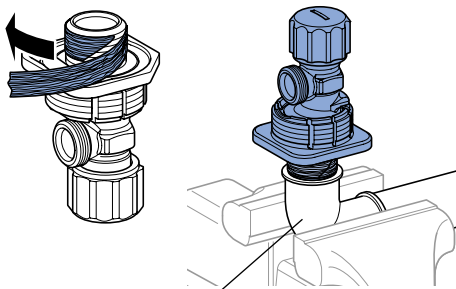
1



2

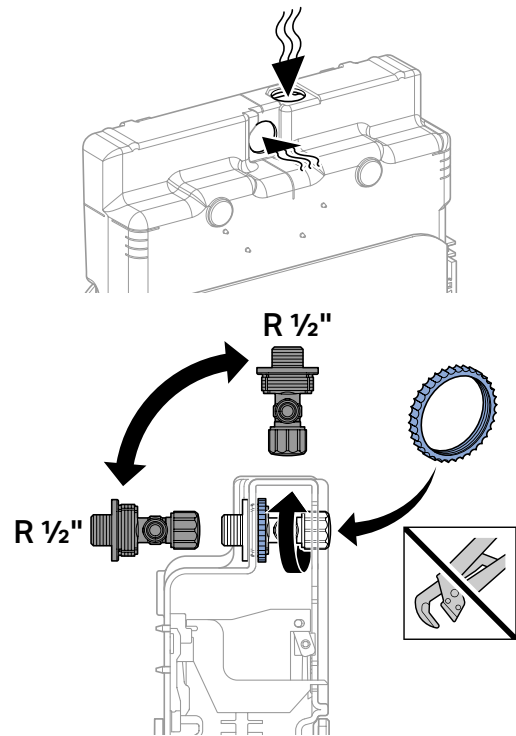


3

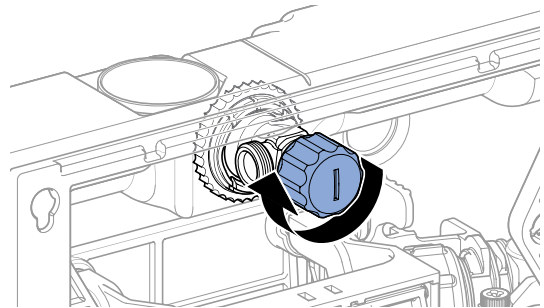


NPT 1/2" elbow

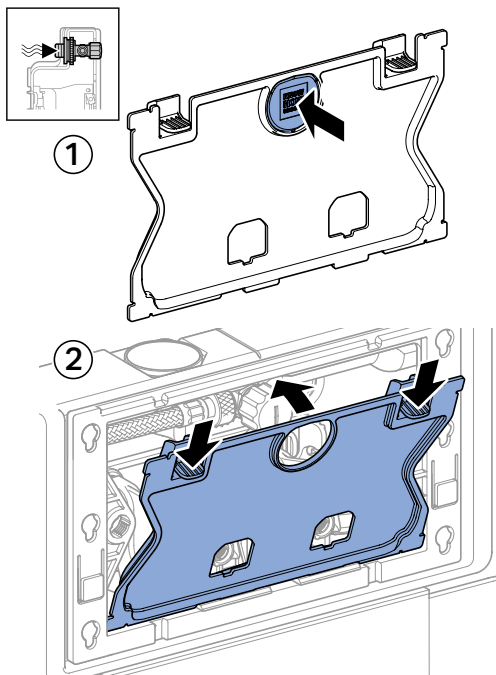
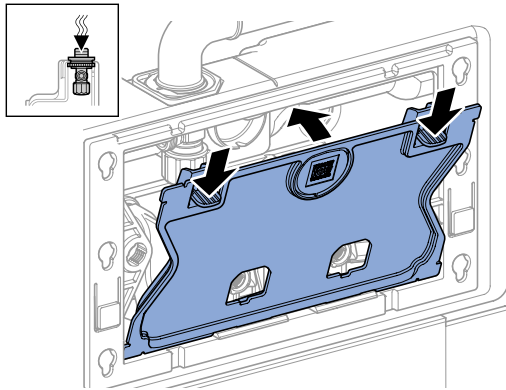
4



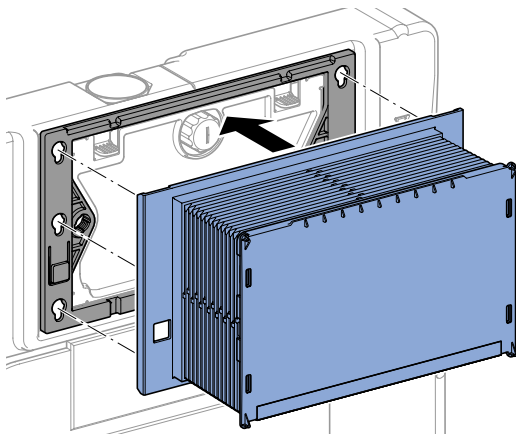
5



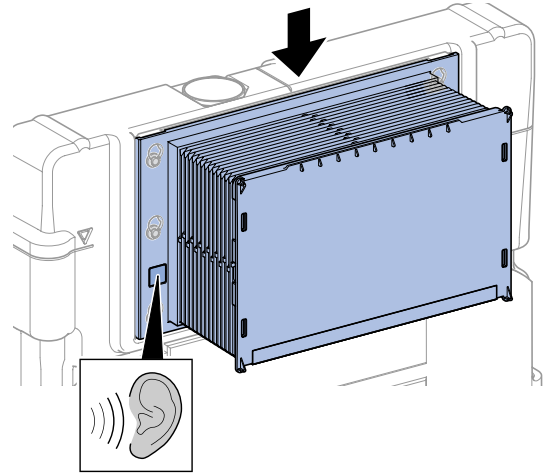
6



7

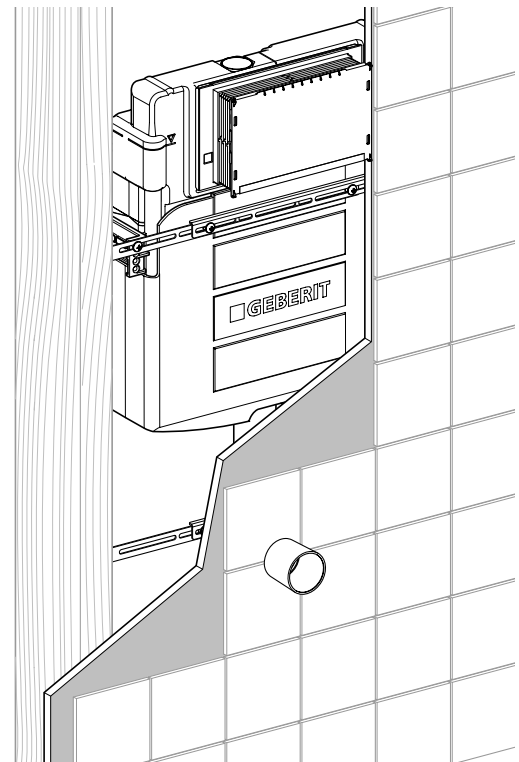


8



9

Install wall surface material such as high density **Gypsum / green Board, Cement Board, Tile Backer Board** with optional ceramic tile finish surface as the most suitable materials. Provide cut outs for the protruding parts like inlet and outlet pipes and the rectangular access box.



For finishing the installation of bowl and actuator plate see detailed instructions.

#### Contact

Geberit  
2100 Clearwater Drive, Des Plaines, IL 60018-5999

Phone: (847) 803 5000 • Fax: 847/803-5454  
For Technical Assistance: 800 / TEC-TRUE (800-832-8783)

→ [www.geberit.us](http://www.geberit.us)



**Geberit International AG**  
**Schachenstrasse 77**  
**CH-8645 Jona**

**T +41 55 221 63 00**  
**F +41 55 221 63 16**  
**documentation@geberit.com**

→ [www.geberit.com](http://www.geberit.com)