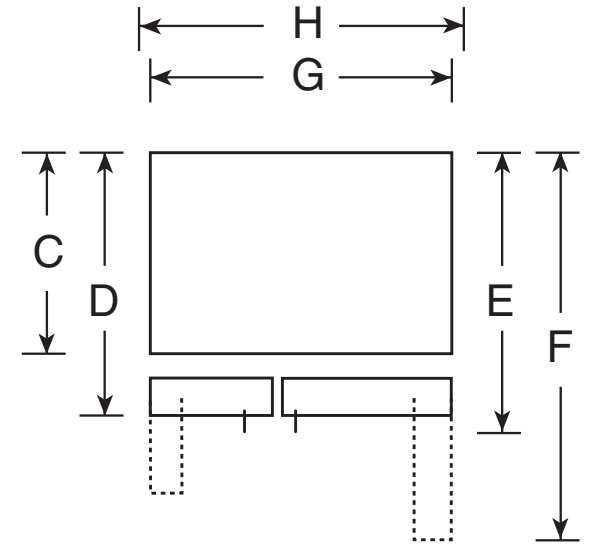
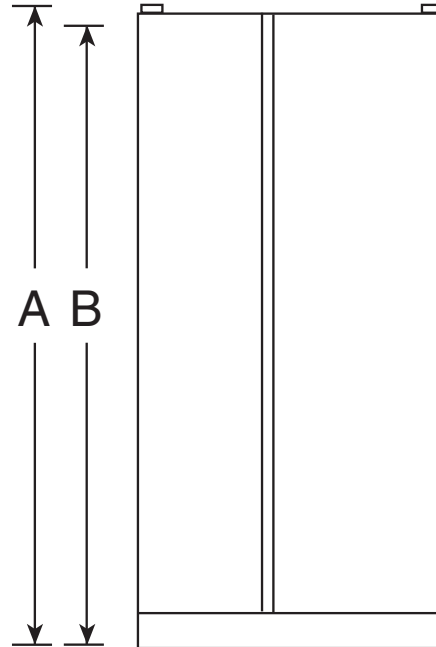


GSS25GGH

GE Appliances 25.4 Cu. Ft. Side-By-Side Refrigerator with Dispenser

DIMENSIONS AND INSTALLATION INFORMATION (IN INCHES)

Overall Dimensions	Height to top of hinge (in.) A	69-1/2
	Height to top of case (in.) B	69
	Case depth without door (in.) C	28-1/2
	Case depth less door handle (in.) D	32-3/4
	Case depth with door handle (in.) E	35-1/4
	Depth with fresh food door open 90° (in.) F	50-1/2
	Width (in.) G	35-3/4
	Width with door open 90° inc. door handle (in.) H	43-1/2
Air	Each side (in.)	1/8
	Top (in.)	1
	Back (in.)	2



For answers to your Monogram, GE Café™ Series, GE Profile™ Series or GE Appliances product questions, visit our website at geappliances.com or call GE Answer Center® Service, 800.626.2000.



GSS25GGH

GE Appliances 25.4 Cu. Ft. Side-By-Side Refrigerator with Dispenser

FEATURES AND BENEFITS

Integrated shelf support system – Provides strong, flexible support

Adjustable slide-out, spillproof glass shelves – Raised edges help contain spills and make cleanup quick and easy

Fresh food multi-level drawers – Provide the ideal environment for storing your fruits and vegetables

Adjustable gallon door bins – Offer ideal space for storing gallon containers in the door

Arctica icemaker – A special access door puts ice within reach

Advanced water filtration uses MWF replacement filter – Reduces trace pharmaceuticals from water and ice* (* Removes 98% of ibuprofen, atenolol, fluoxetine, progesterone and trimethoprim. These pharmaceuticals are not necessarily in all users' water)

Model GSS25GGHBB – Black

Model GSS25GGHWW – White

