

# JD630SF

## GE Appliances 30" Drop-In Electric Range

### DIMENSIONS AND INSTALLATION INFORMATION (IN INCHES)

**JUNCTION BOX LOCATION:** Electric drop-ins are not approved for installation with a plug and receptacle. This range is supplied with a flexible conduit and must be hard wired to a junction box. See shaded area in drawing for location of junction box. Refer to installation instructions for more information.

**IMPORTANT:** 30" DROP-IN RANGES ARE DESIGNED TO HANG FROM THE COUNTERTOP. IT DOES NOT REST ON THE FLOOR. FOR INSTALLATION ALTERNATIVES, REFER TO INSTALLATION INSTRUCTIONS.

**NOTE:** This appliance has been approved for 0" spacing to adjacent surfaces above the cooktop. However, a 6" minimum spacing to surfaces less than 15" above the cooktop and adjacent cabinet is recommended to reduce exposure to steam, grease splatter and heat.

**OPTIONAL KITS FOR DROP-IN ELECTRIC RANGES:** (Available At Additional Cost)

#### ACCESSORY BACKGUARDS:

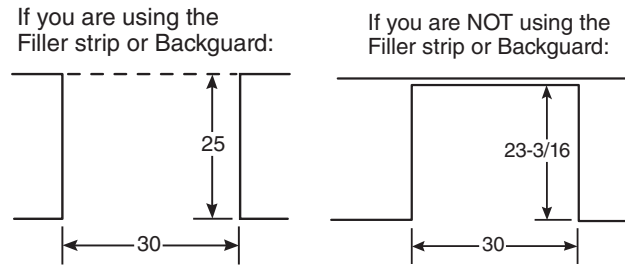
(Attaches to the back of range as a backguard when unit is installed in 30" free-standing cutout)  
 JXS32SS (Stainless) - 4" High  
 JXS32BB (Black) - 4" High

#### REAR FILLER STRIP:

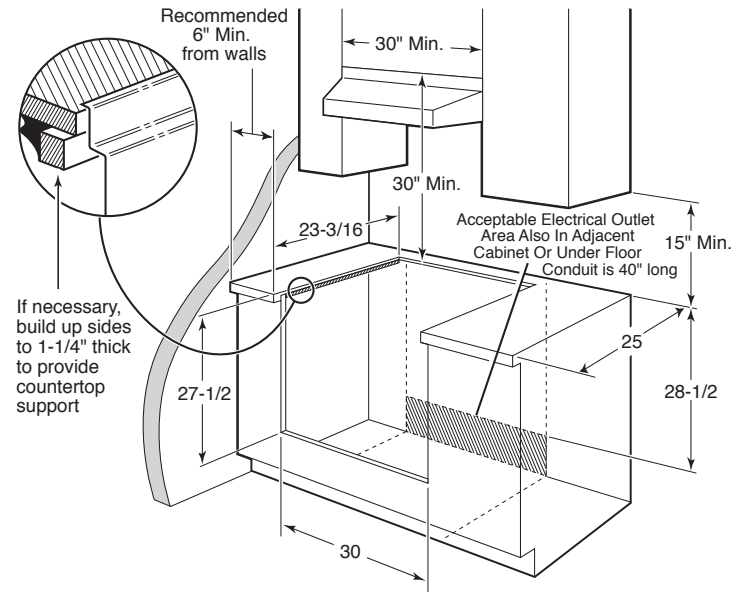
WB07T10680 - Black Filler Strip Assembly

**INSTALLATION INFORMATION:** Before installing, consult installation instructions for current dimensional data and additional requirements.

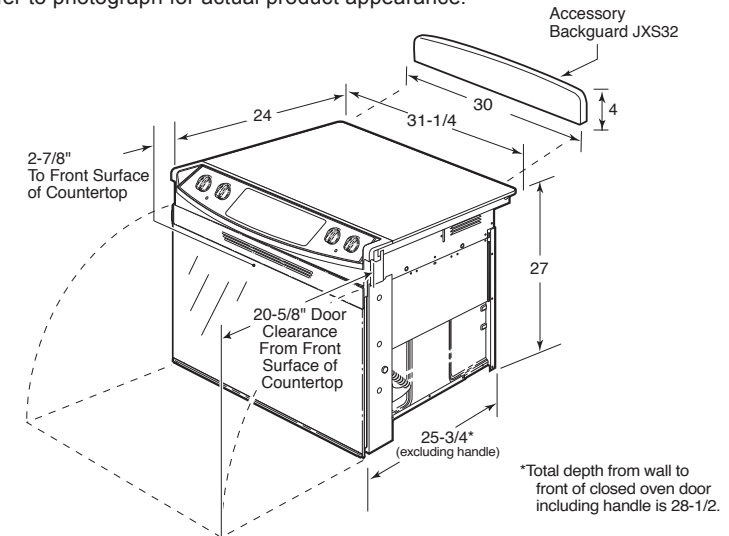
†**NOTE:** Check local codes for required breaker size.



KW RATING	
240V	11.9
208V	8.9
BREAKER SIZE	
240V	40 Amps†
208V	40 Amps†



Above illustration intended for dimensional reference only. Refer to photograph for actual product appearance.



Dimension and installation information are shown in inches.



For answers to your Monogram, GE Café™ Series, GE Profile™ Series or GE Appliances product questions, visit our website at [geappliances.com](http://geappliances.com) or call GE Answer Center® Service, 800.626.2000.



All GE ranges are equipped with an Anti-Tip device. The installation of this device is an important, required step in the installation of the range.



Listed by Underwriters Laboratories



# JD630SF

## *GE Appliances 30" Drop-In Electric Range*

### **FEATURES AND BENEFITS**

6"/9" Power Boil element - Produces rapid, powerful heat

Self-clean oven - Cleans the oven cavity without the need for scrubbing

Ceramic glass cooktop - Smooth cooktop easily wipes clean

Black gloss oven interior - Enjoy a clean and sleek appearance

Dual element bake - Upper and lower elements produce even heat and great results

Electronic oven controls - Electronic touch pads are easy to operate

Model JD630SFSS - Stainless steel

